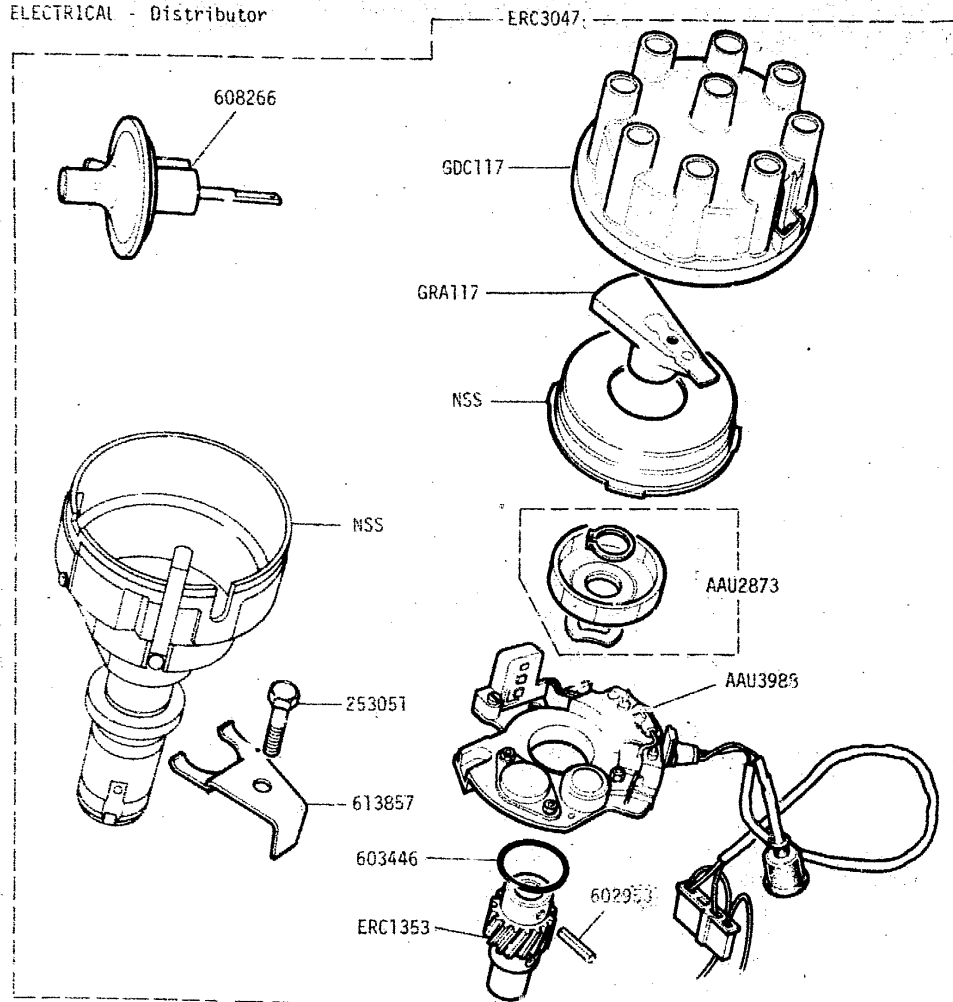


GROUP K  
ELECTRICAL - Distributor

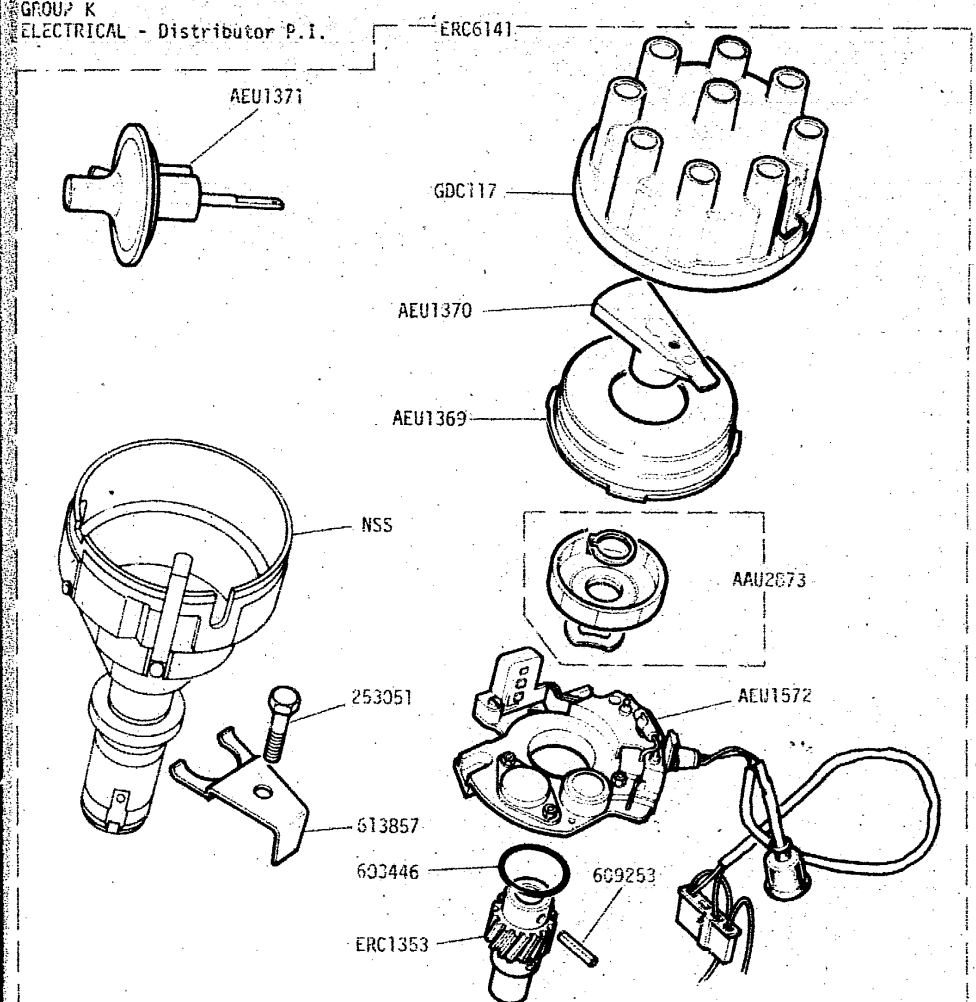


TR3

1L 02L

B7068/1

GROUP K  
ELECTRICAL - Distributor P.I.



TR3 PI

1L 02R

B7068/1

GROUP INDEX

Introduction **1B 2B**  
 Engine **1C**  
 Flywheel and Clutch **1D**  
 Gearbox and Propshaft **1E**  
 Axles, Suspension, Drive Shafts, Wheels **1F**

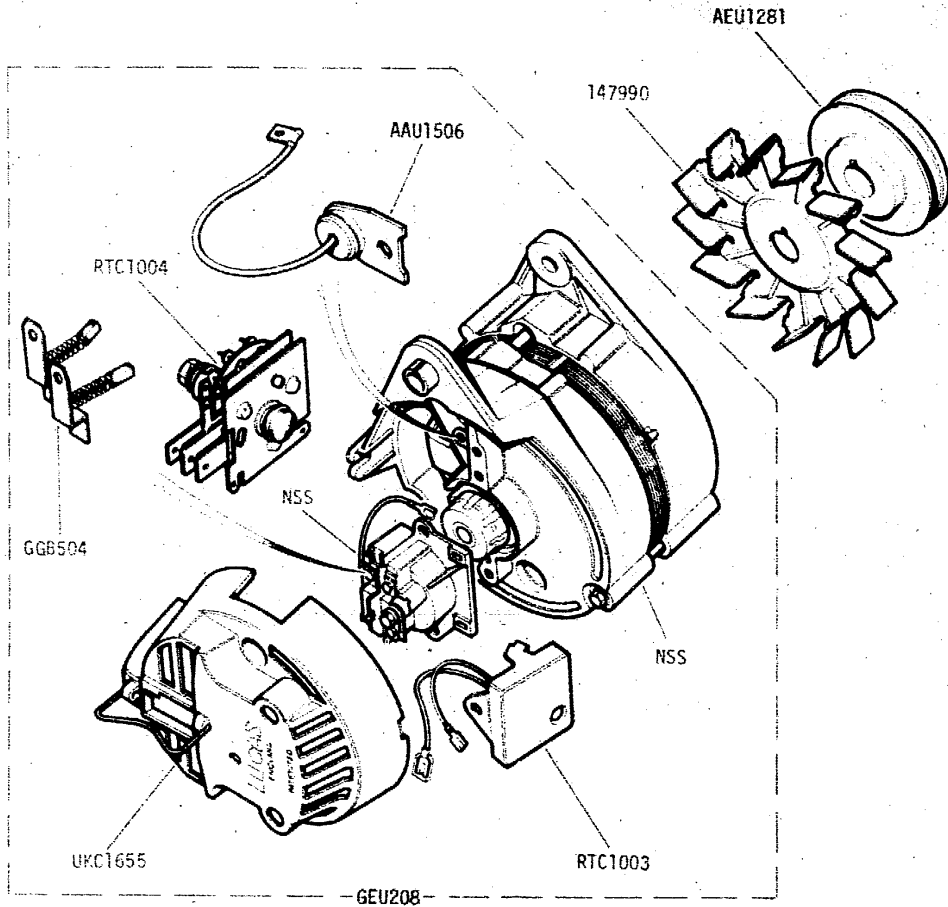
Steering **1G**  
 Brakes and Brake Controls **1H**  
 Fuel, Exhaust and Emission Systems **1I - J**  
 Cooling, Heating and Air Conditioning **1K**  
 Electrical, Washers-Wipers, Instruments **1L - M**

Chassis, Subframes, Bodyshell, Fittings **2C**  
 Fascia, Trim, Seats and Fixings **2D**  
 Miscellaneous **2E**  
 Numerical Index **2F**

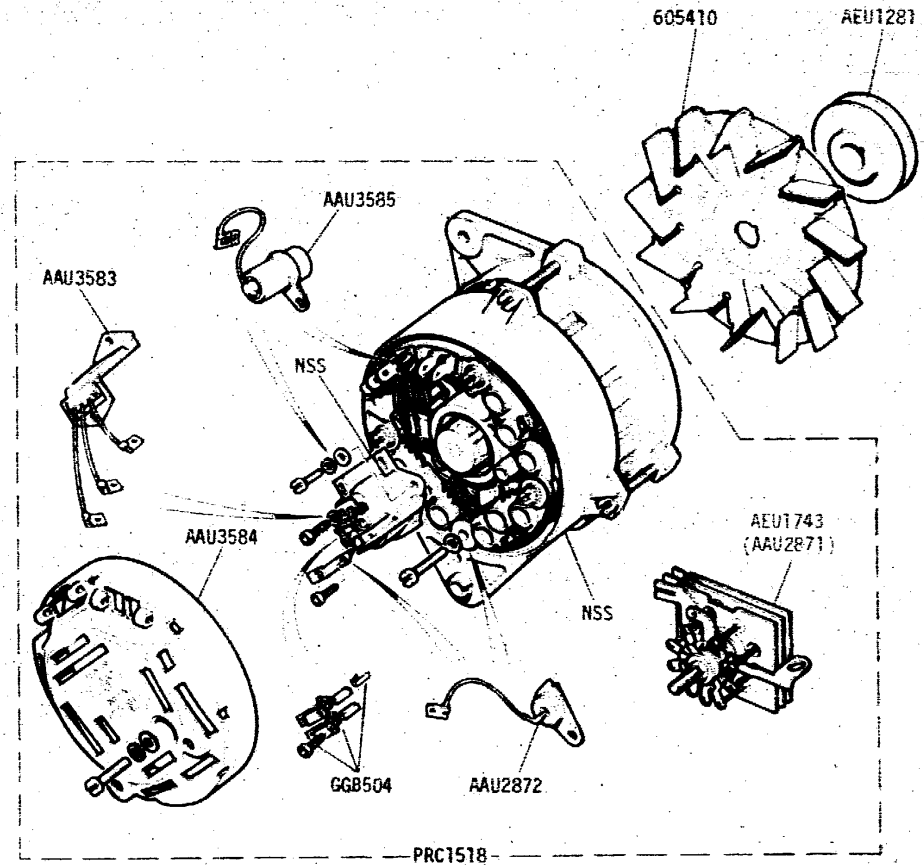
**1L02**



GROUP K  
ELECTRICAL - 17 ACR Alternator (Heater Vehicles only)



GROUP K  
ELECTRICAL - 25 A.C.R. Alternator (air conditioning) Carburettor



TRC

1L 04L

B7065

TR8

1L 04R

B7066

GROUP INDEX

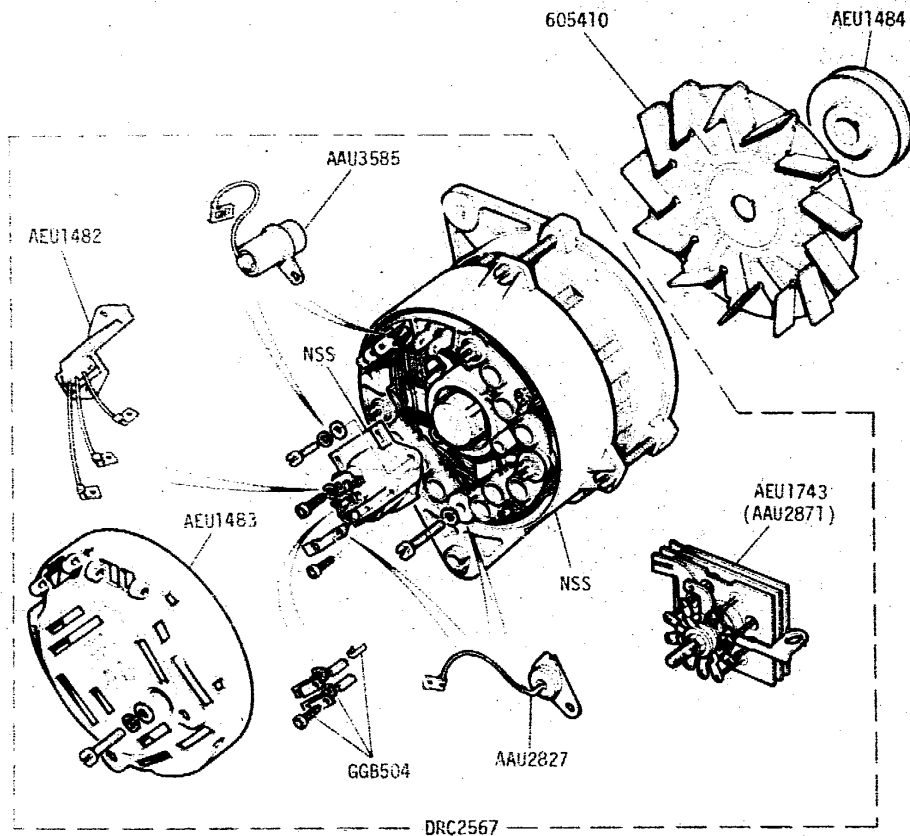
Introduction **1B 2B**  
 Engine **1C**  
 Flywheel and Clutch **1D**  
 Gearbox and Propshaft **1E**  
 Axles, Suspension, Drive Shafts, Wheels **1F**

Steering **1G**  
 Brakes and Brake Controls **1H**  
 Fuel, Exhaust and Emission Systems **1I - J**  
 Cooling, Heating and Air Conditioning **1K**  
 Electrical, Washers-Wipers, Instruments **1L - M**

Chassis, Subframes, Bodyshell, Fittings **2C**  
 Fascia, Trim, Seats and Fixings **2D**  
 Miscellaneous **2E**  
 Numerical Index **2F**

**1L04**

GROUP K  
ELECTRICAL - 25 A.C.R. Alternator (air conditioning) Petrol injection



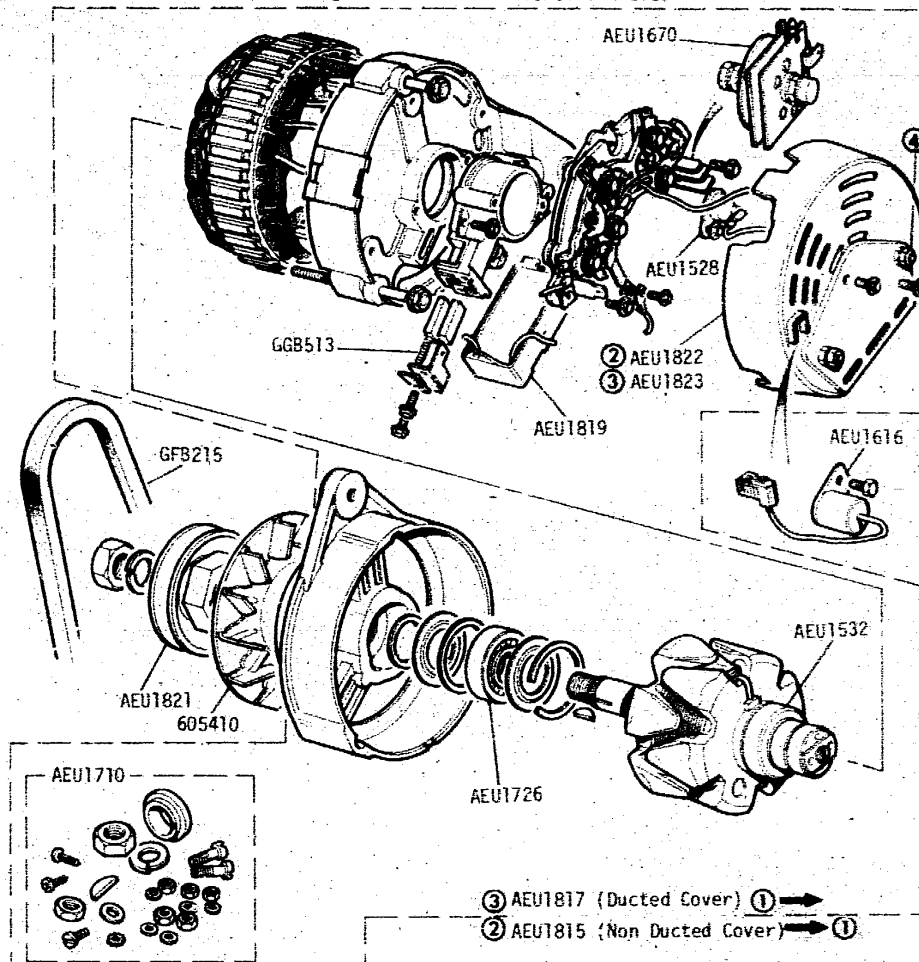
See 1L 05R for 'A' Type 75 amp

TR8

1L 05L

B7066

GROUP K  
ELECTRICAL 'A' Type Alternator (75 Amp)  
Petrol Injection Air Conditioned Vehicles



- ③ AEU1817 (Ducted Cover) ① →
- ② AEU1815 (Non Ducted Cover) → ①

- ① Engine No. 14E 00462(MAN) 15E 00006(AUTO)
- ② Non-ducted Cover Type
- ③ Ducted Cover type
- ④ AEU1709 Terminal Kit (Stud)

AEU1706 Screw Kit  
AEU1708 Spacer Kit

TR8

1L 05R

453160

GROUP INDEX

Introduction	<b>1B 2B</b>	Steering	<b>1G</b>
Engine	<b>1C</b>	Brakes and Brake Controls	<b>1H</b>
Flywheel and Clutch	<b>1D</b>	Fuel, Exhaust and Emission Systems	<b>1I - J</b>
Gearbox and Propshaft	<b>1E</b>	Cooling, Heating and Air Conditioning	<b>1K</b>
Axles, Suspension, Drive Shafts, Wheels	<b>1F</b>	Electrical, Washers-Wipers, Instruments	<b>1L - M</b>

Chassis, Subframes, Bodyshell, Fittings	<b>2C</b>
Fascia, Trim, Seats and Fixings	<b>2D</b>
Miscellaneous	<b>2E</b>
Numerical Index	<b>2F</b>

**1L05**

'NO ILLUSTRATION'

'NO ILLUSTRATION'

1L06L

1L06R

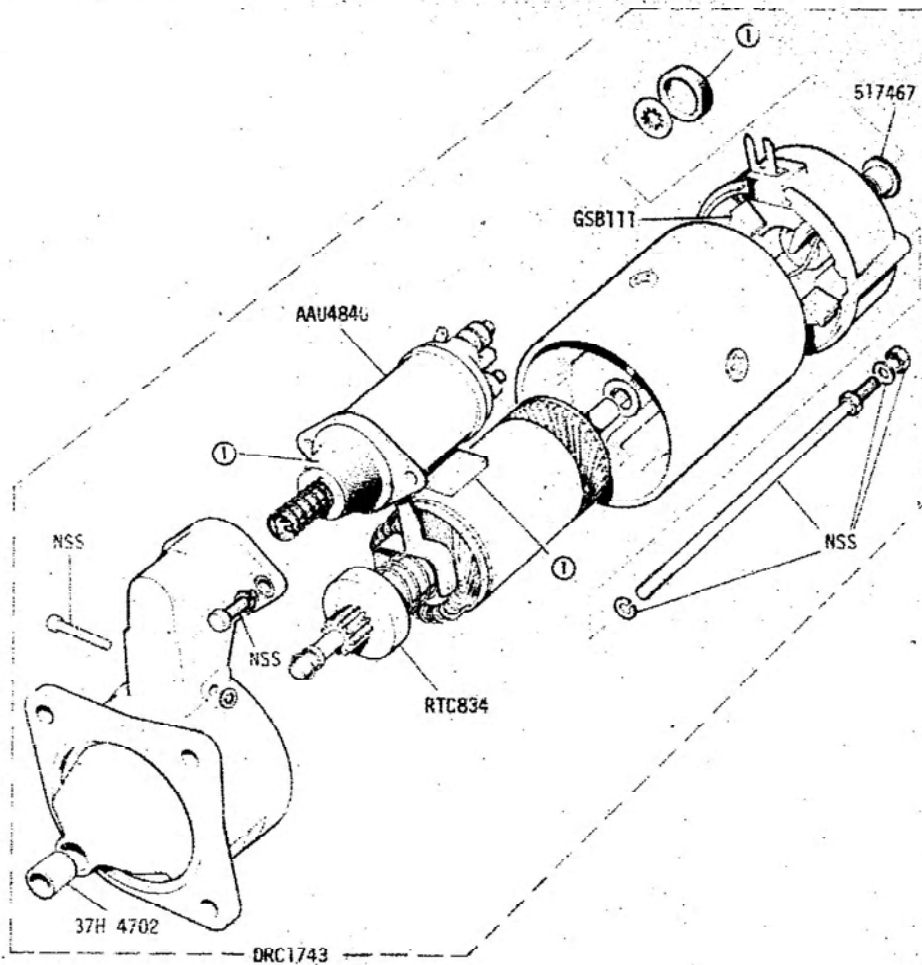
~~1L18R~~

GROUP INDEX

Introduction	1B 2B	Steering	1G	Chassis, Subframes, Bodysell, Fittings	2C
Engine	1C	Brakes and Brake Controls	1H	Fascia, Trim, Seats and Fixings	2D
Flywheel and Clutch	1D	Fuel, Exhaust and Emission Systems	1I - J	Miscellaneous	2E
Gearbox and Propshaft	1E	Cooling, Heating and Air Conditioning	1K	Numerical Index	2F
Axles, Suspension, Drive Shafts, Wheels	1F	Electrical, Washers-Wipers, Instruments	1L-M		

1L06

GROUP K  
ELECTRICAL - Starter Motor



- ① RTC836 Sealing Kit
- SS506121 Screw (Socket Head) 2 } Starter
- GHF302 Plain Washer 2 } Motor to
- GHF333 Lockwasher 2 } Cyl Block

TR6

1L 07L

B7067

'NO ILLUSTRATION'

*LM 084*

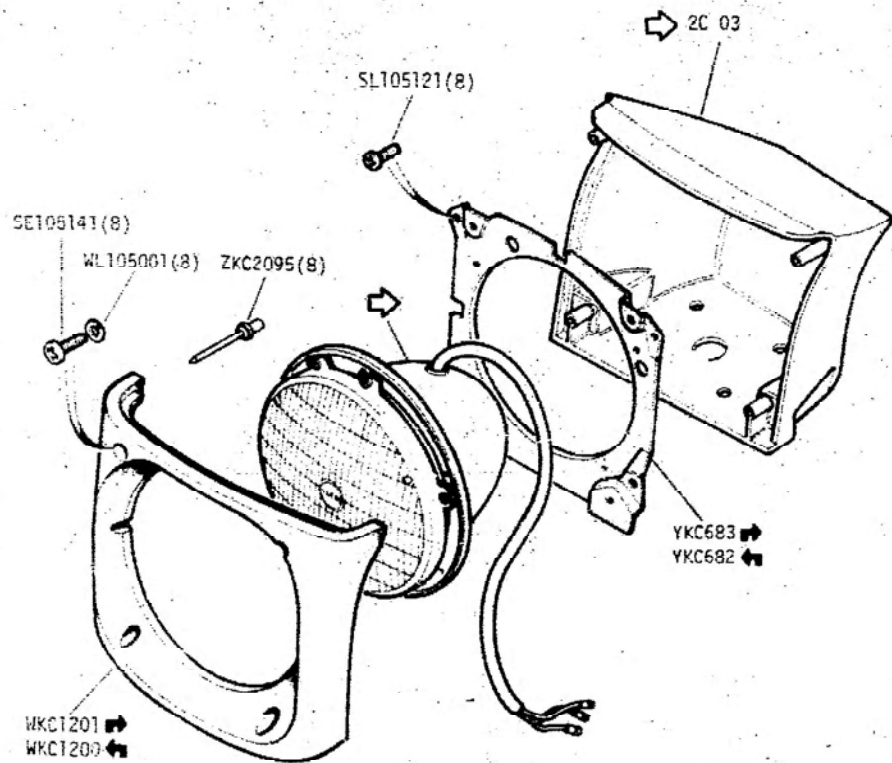
*1L 07R*

GROUP INDEX

Introduction	<b>1B 2B</b>	Steering	<b>1G</b>	Chassis, Subframes, Bodyshell, Fittings	<b>2C</b>
Engine	<b>1C</b>	Brakes and Brake Controls	<b>1H</b>	Fascia, Trim, Seats and Fixings	<b>2D</b>
Flywheel and Clutch	<b>1D</b>	Fuel, Exhaust and Emission Systems	<b>1I - J</b>	Miscellaneous	<b>2E</b>
Gearbox and Propshaft	<b>1E</b>	Cooling, Heating and Air Conditioning	<b>1K</b>	Numerical Index	<b>2F</b>
Axles, Suspension, Drive Shafts, Wheels	<b>1F</b>	Electrical, Washers-Wipers, Instruments	<b>1L - M</b>		

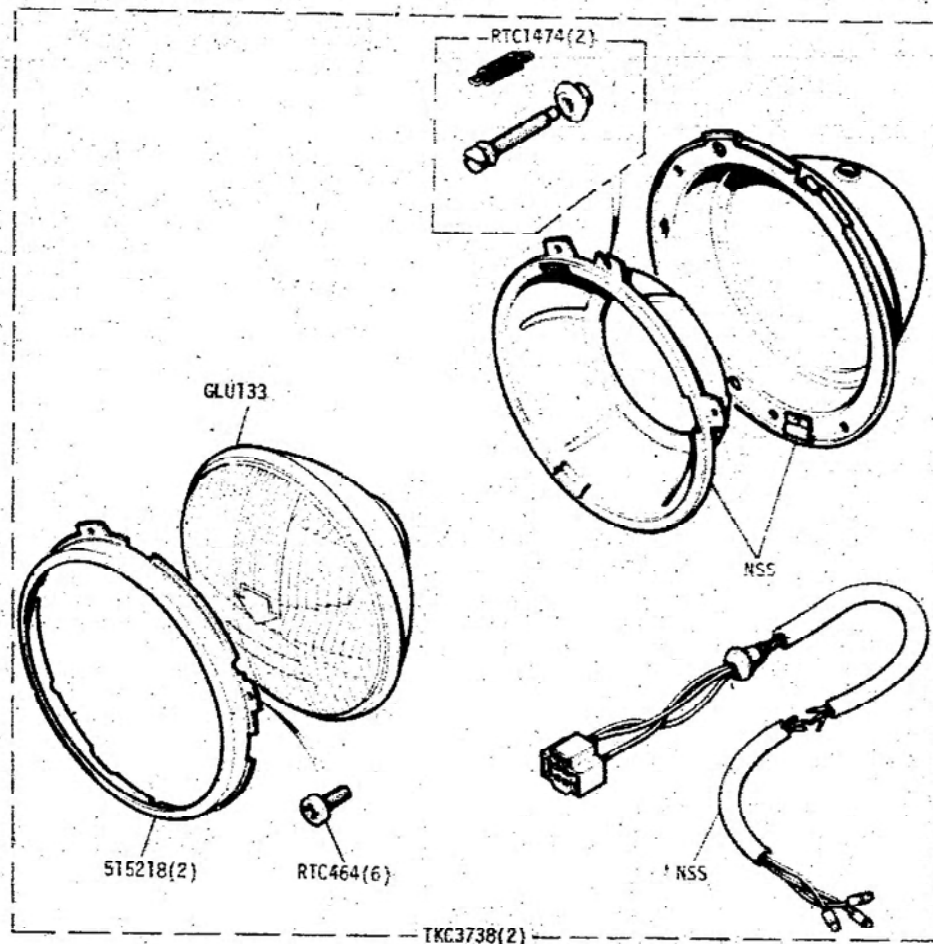
**1L07**

GROUP K  
ELECTRICAL - Headlight and Mounting



TR8 TL 08L B7071

GROUP K  
ELECTRICAL - Headlight Assembly



TR8 TL 08R B7074

GROUP INDEX

Introduction **1B 2B**  
 Engine **1C**  
 Flywheel and Clutch **1D**  
 Gearbox and Propshaft **1E**  
 Axles, Suspension, Drive Shafts, Wheels **1F**

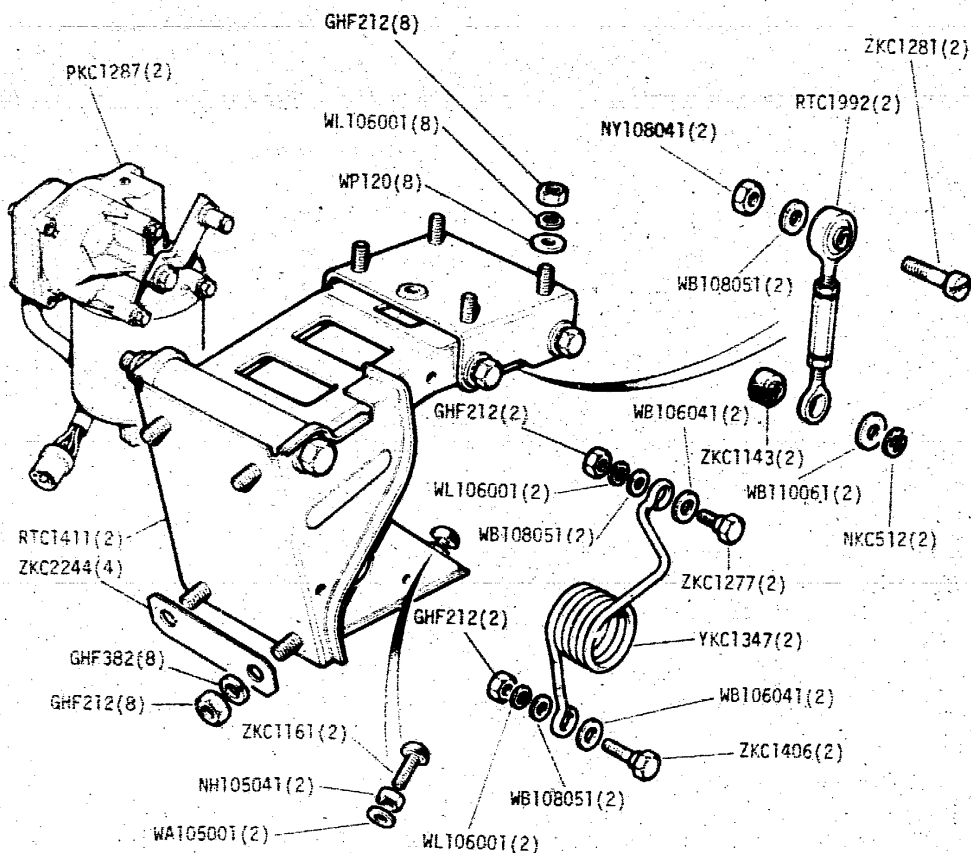
Steering **1G**  
 Brakes and Brake Controls **1H**  
 Fuel, Exhaust and Emission Systems **1I - J**  
 Cooling, Heating and Air Conditioning **1K**  
 Electrical, Washers-Wipers, Instruments **1L - M**

Chassis, Subframes, Bodyshell, Fittings **2C**  
 Fascia, Trim, Seats and Fixings **2D**  
 Miscellaneous **2E**  
 Numerical Index **2F**

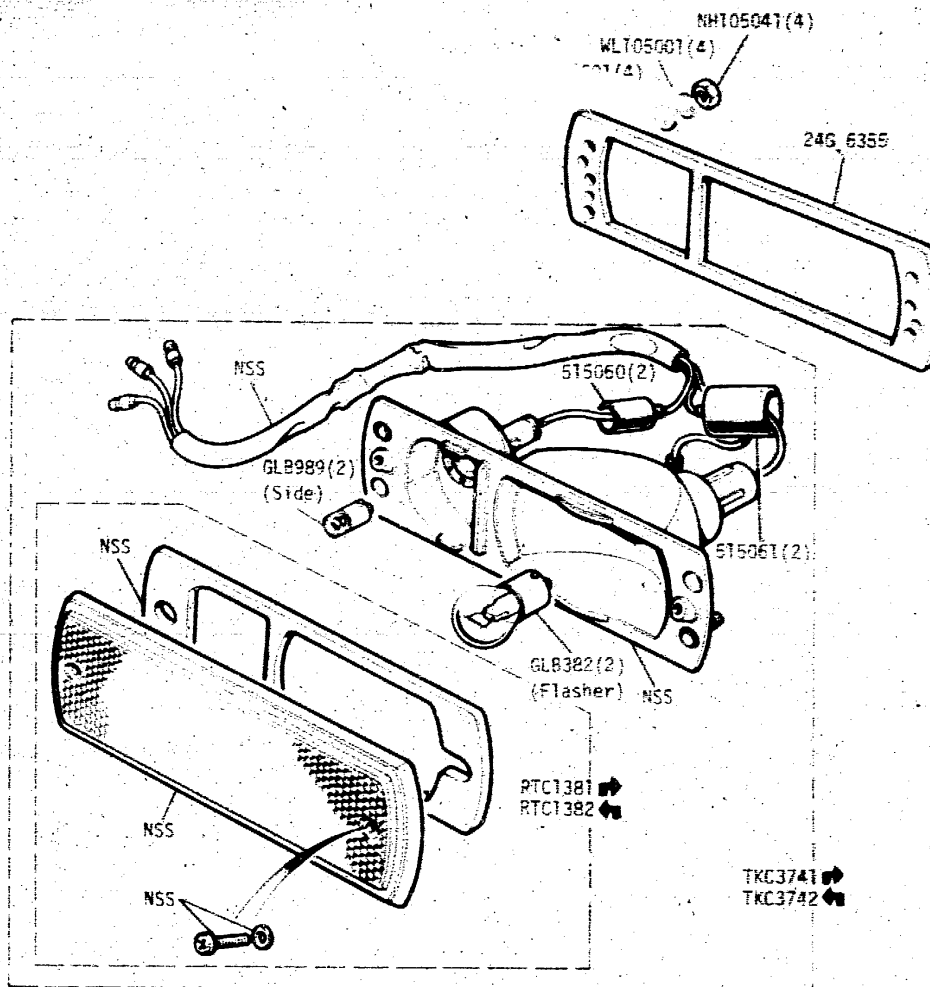
**1L08**



GROUP K  
ELECTRICAL - Headlight Hinge Mechanism



GROUP K  
ELECTRICAL - Front sideLamps



TRS

1L 09L

87075

TRS

1L 09R

87076

GROUP INDEX

Introduction **1B 2B**  
 Engine **1C**  
 Flywheel and Clutch **1D**  
 Gearbox and Propshaft **1E**  
 Axles, Suspension, Drive Shafts, Wheels **1F**

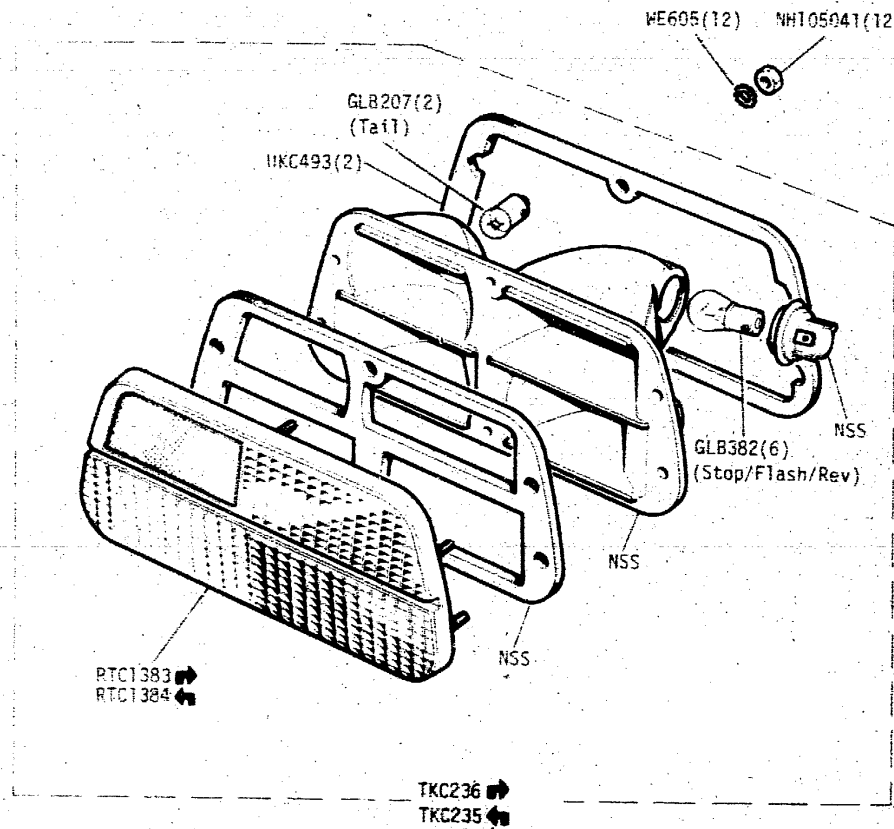
Steering **1G**  
 Brakes and Brake Controls **1H**  
 Fuel, Exhaust and Emission Systems **1I - J**  
 Cooling, Heating and Air Conditioning **1K**  
 Electrical, Washers-Wipers, Instruments **1L - M**

Chassis, Subframes, Bodyshell, Fittings **2C**  
 Fascia, Trim, Seats and Fixings **2D**  
 Miscellaneous **2E**  
 Numerical Index **2F**

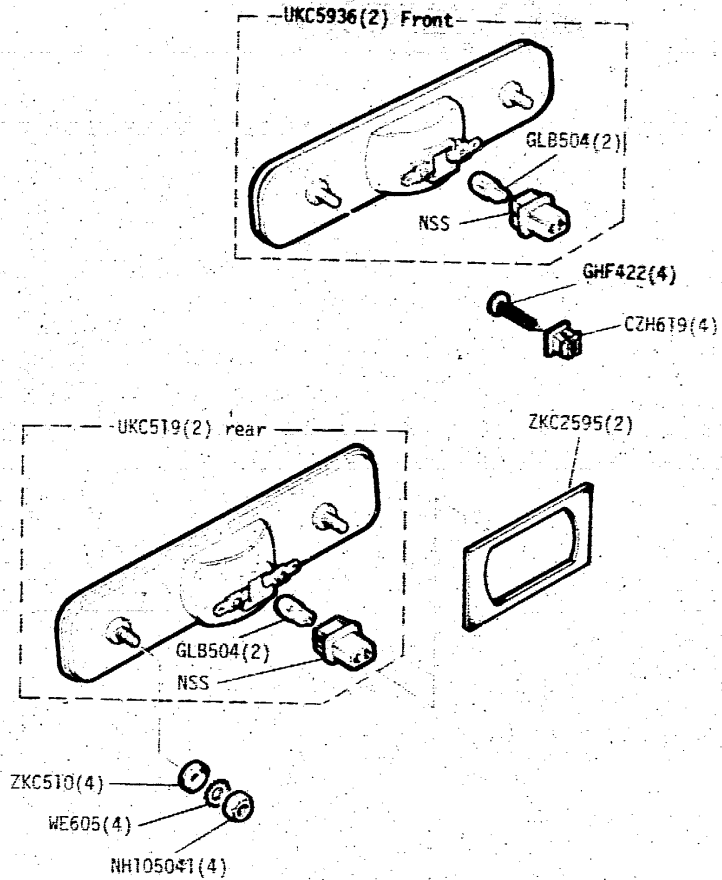
**1L09**



**GROUP K**  
ELECTRICAL - Stop/Tail/Flasher/Reverse Lamp



**GROUP K**  
ELECTRICAL - Side Marker Lamps



TR8

1L 10L

B7077

TR8

1L 10R

B7078

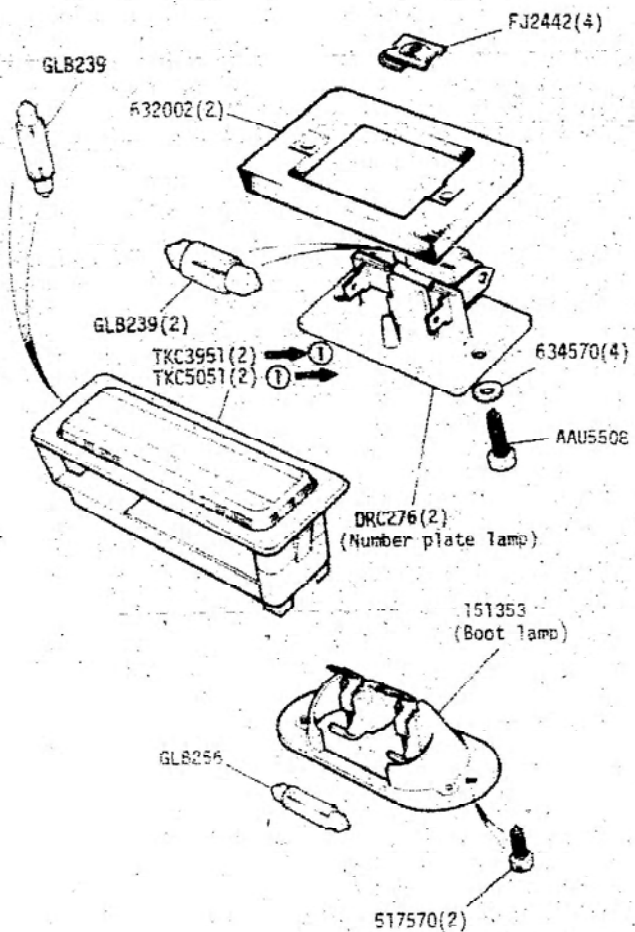
**GROUP INDEX**

Introduction	<b>1B 2B</b>	Steering	<b>1G</b>	Chassis, Subframes, Bodyshell, Fittings	<b>2C</b>
Engine	<b>1C</b>	Brakes and Brake Controls	<b>1H</b>	Fascia, Trim, Seats and Fixings	<b>2D</b>
Flywheel and Clutch	<b>1D</b>	Fuel, Exhaust and Emission Systems	<b>1I - J</b>	Miscellaneous	<b>2E</b>
Gearbox and Propshaft	<b>1E</b>	Cooling, Heating and Air Conditioning	<b>1K</b>	Numerical Index	<b>2F</b>
Axles, Suspension, Drive Shafts, Wheels	<b>1F</b>	Electrical, Washers/Wipers, Instruments	<b>1L - M</b>		

**1L 10**

GROUP K

ELECTRICAL - Interior, rear number plate and boot lamps



⊙ Vln 200,001 and Future

TR8

1L 11L

84970/5

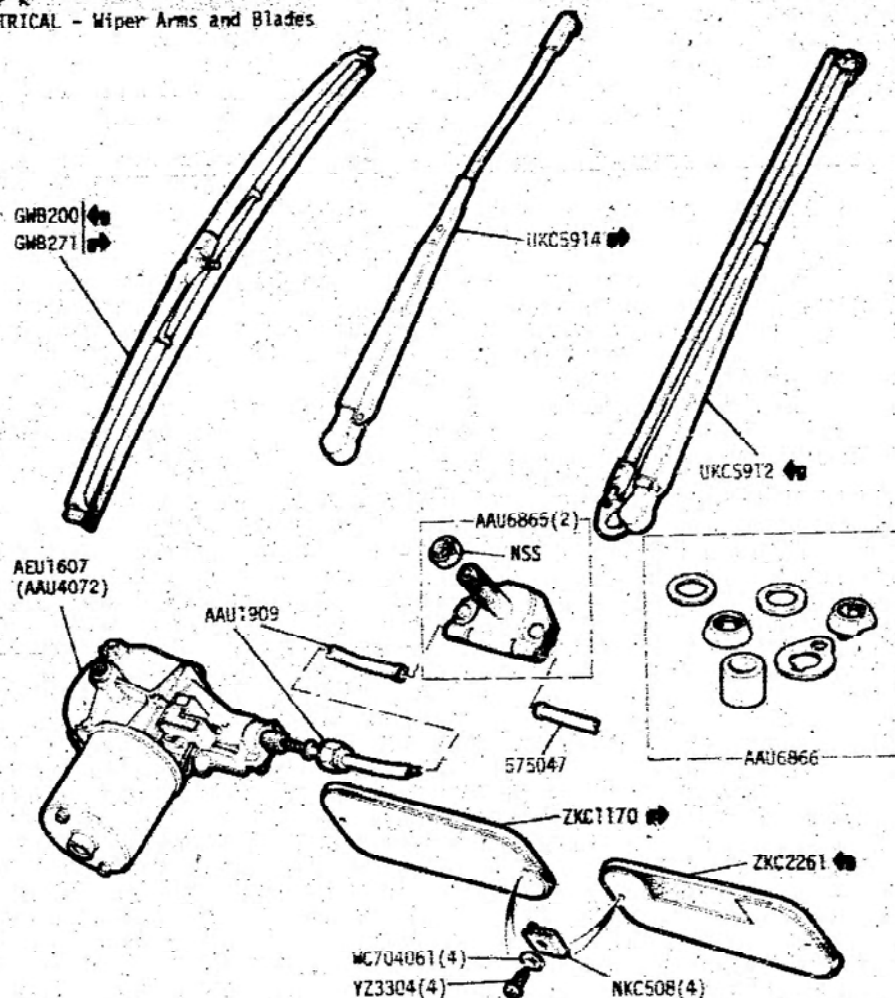
GROUP INDEX

Introduction **1B 2B**  
 Engine **1C**  
 Flywheel and Clutch **1D**  
 Gearbox and Propshaft **1E**  
 Axles, Suspension, Drive Shafts, Wheels **1F**

Steering **1G**  
 Brakes and Brake Controls **1H**  
 Fuel, Exhaust and Emission Systems **1I - J**  
 Cooling, Heating and Air Conditioning **1K**  
 Electrical, Washers-Wipers, Instruments **1L - 1M**

GROUP K

ELECTRICAL - Wiper Arms and Blades



TR8

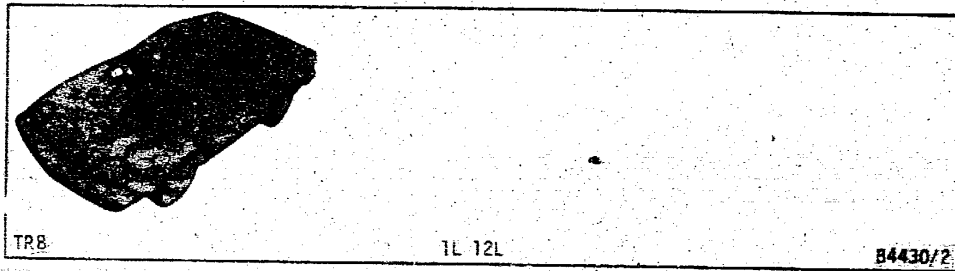
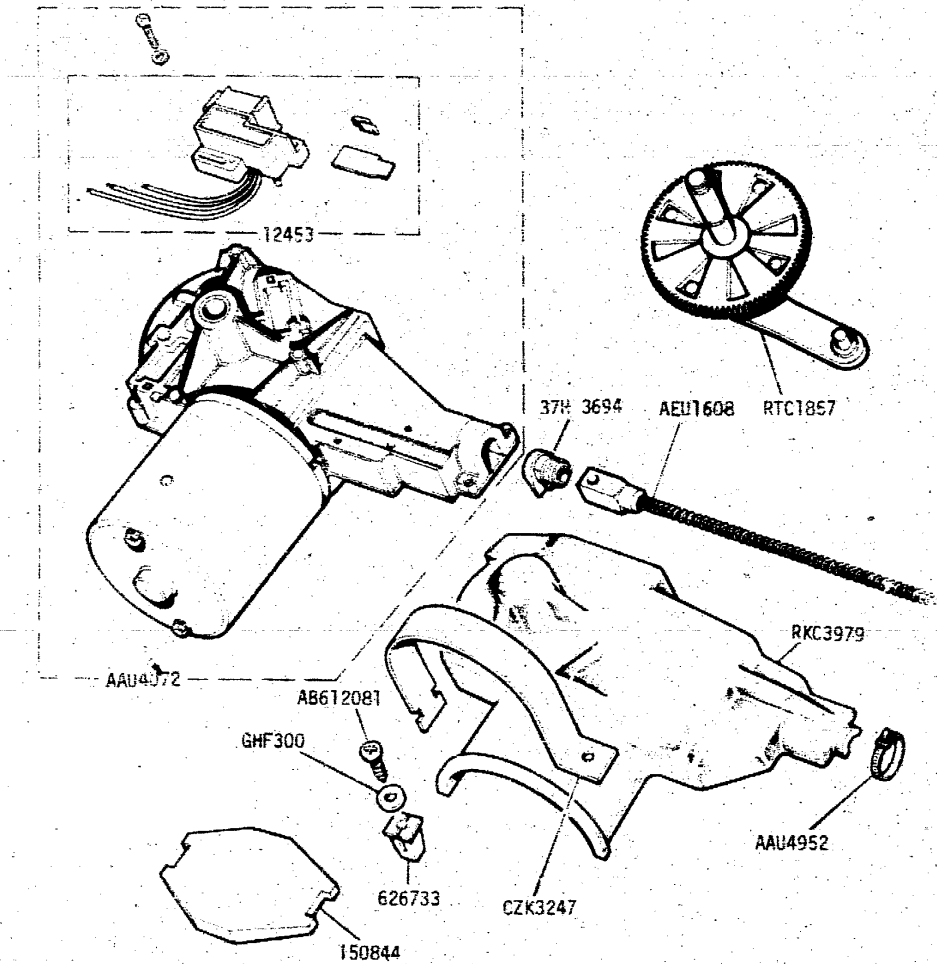
1L 11R

84431

**1L 11**

Chassis, Subframes, Bodyshell, Fittings **2C**  
 Fascia, Trim, Seats and Fixings **2D**  
 Miscellaneous **2E**  
 Numerical Index **2F**

**GROUP K**  
ELECTRICAL - Wiper motor, gear, crosshead and rack

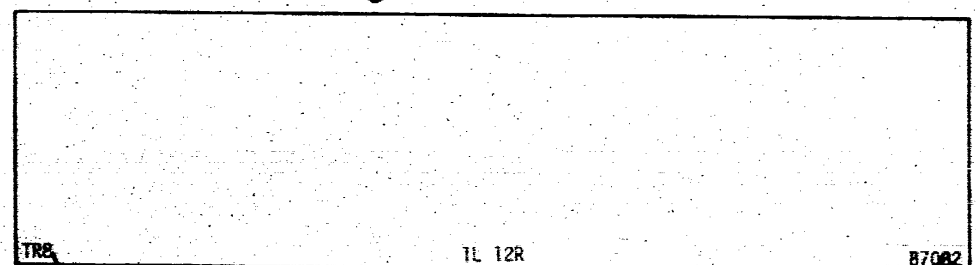
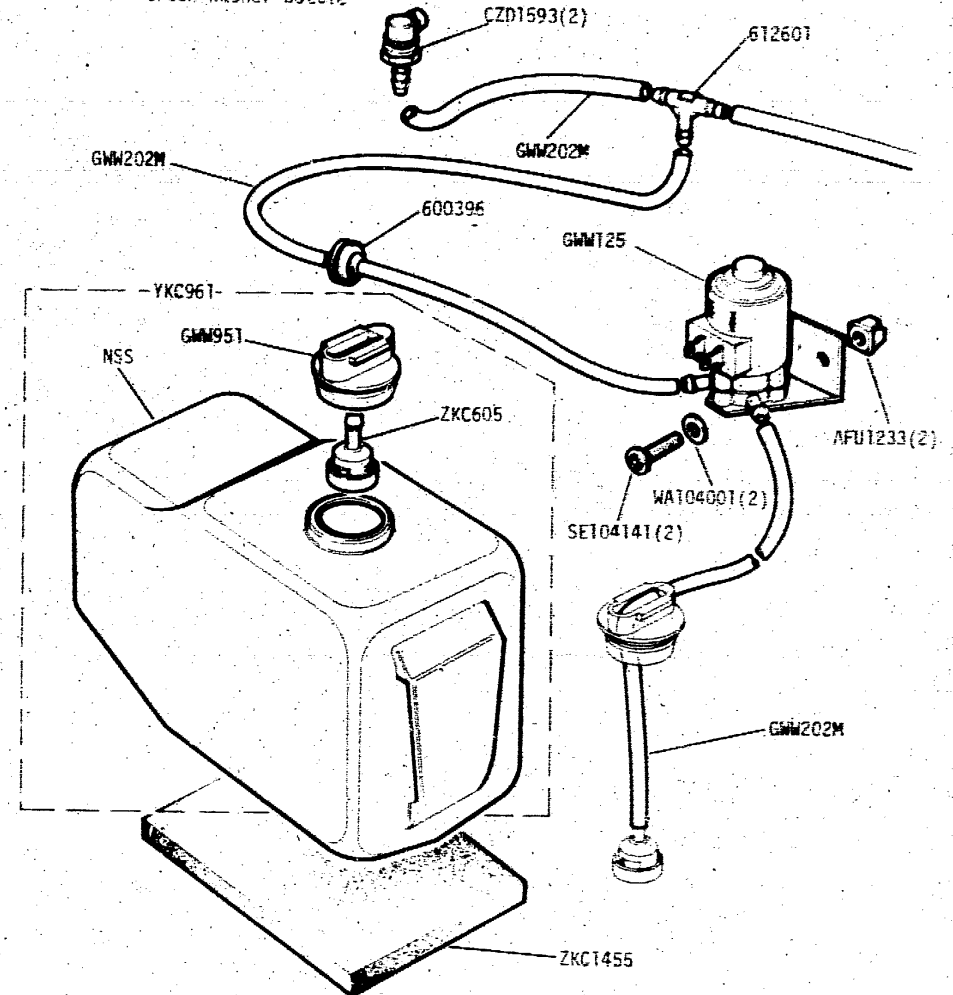


TR8

1L 12L

B4430/2

**GROUP K**  
ELECTRICAL - Screen Washer Bottle



TR8

1L 12R

B7082

**GROUP INDEX**

Introduction	<b>1B 2B</b>	Steering	<b>1G</b>
Engine	<b>1C</b>	Brakes and Brake Controls	<b>1H</b>
Flywheel and Clutch	<b>1D</b>	Fuel, Exhaust and Emission Systems	<b>1I - J</b>
Gearbox and Propshaft	<b>1E</b>	Cooling, Heating and Air Conditioning	<b>1K</b>
Axes, Suspension, Drive Shafts, Wheels	<b>1F</b>	Electrical, Washers-Wipers, Instruments	<b>1L - M</b>

Chassis, Subframes, Bodyshell, Fittings	<b>2C</b>
Fascia, Trim, Seats and Fixings	<b>2D</b>
Miscellaneous	<b>2E</b>
Numerical Index	<b>2F</b>

**1L12**

# TL13

2C Chassis, Subframes, Bodyshell, Fittings  
 2D Facia, Trim, Seats and Fixings  
 2E Miscellaneous  
 2F Numerical Index

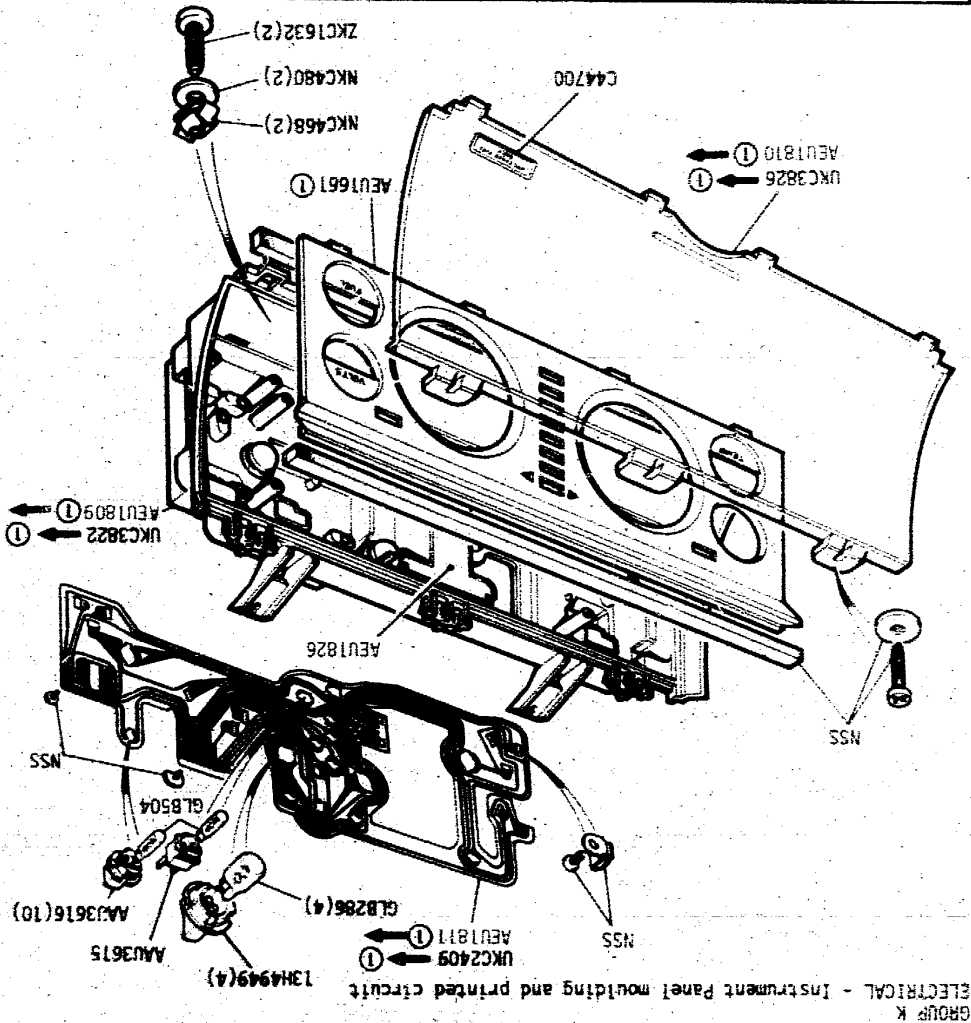
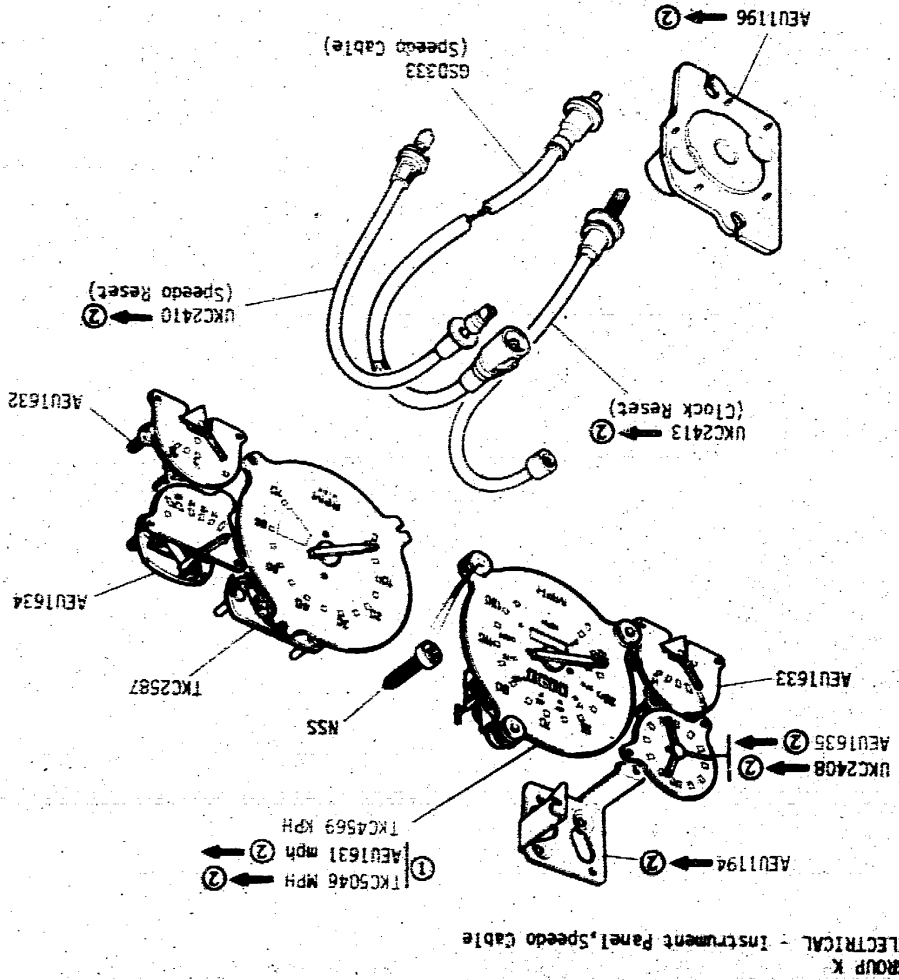
1G Steering  
 1H Brakes and Brake Controls  
 1J Fuel, Exhaust and Emission Systems  
 1K Cooling, Heating and Air Conditioning  
 1L-1M Electrical, Washers, Wipers, Instruments

1B 2B Introduction  
 1C Engine  
 1D Flywheel and Clutch  
 1E Gearbox and Propshaft  
 1F Axles, Suspension, Drive Shafts, Wheels

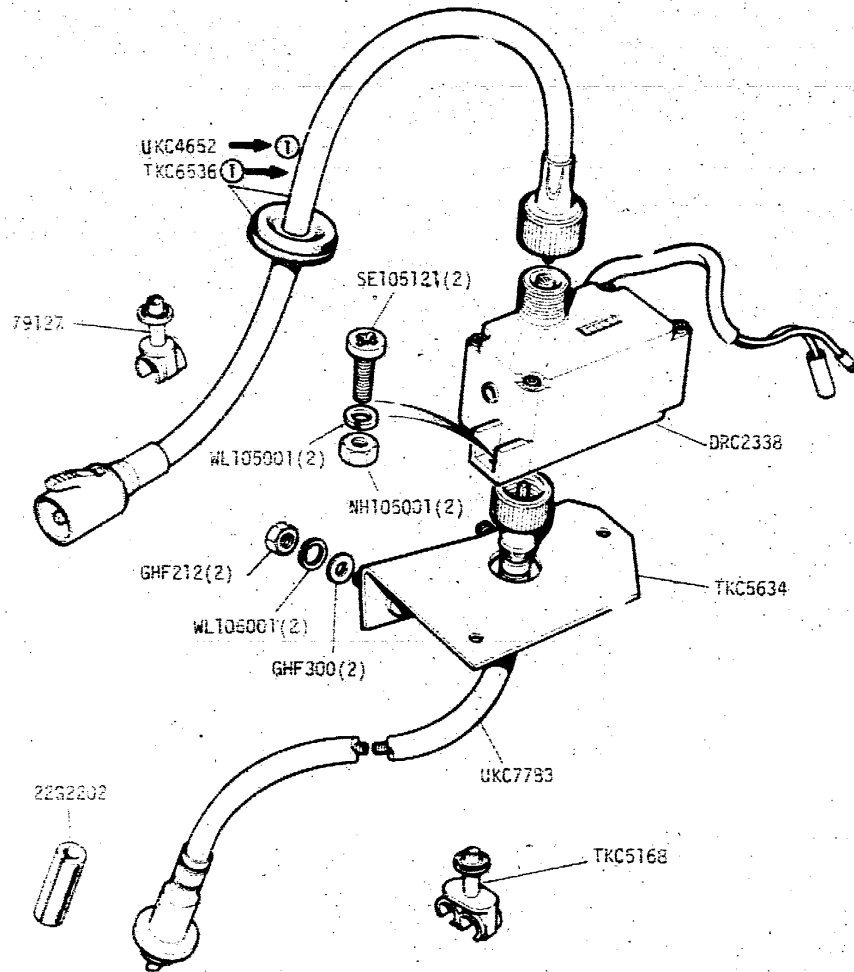
## GROUP INDEX

TR8 TL 13L  
 ① USA  
 ② Push Button reset Speedometer and Clock  
 AEU1808 Push button - Speedometer  
 AEU1807 Push button - Clock  
 VS1416

TR8 TL 13L  
 ① Push button reset Speedometer and Clock  
 VS1415



GROUP K  
ELECTRICAL - Service Interval Counter



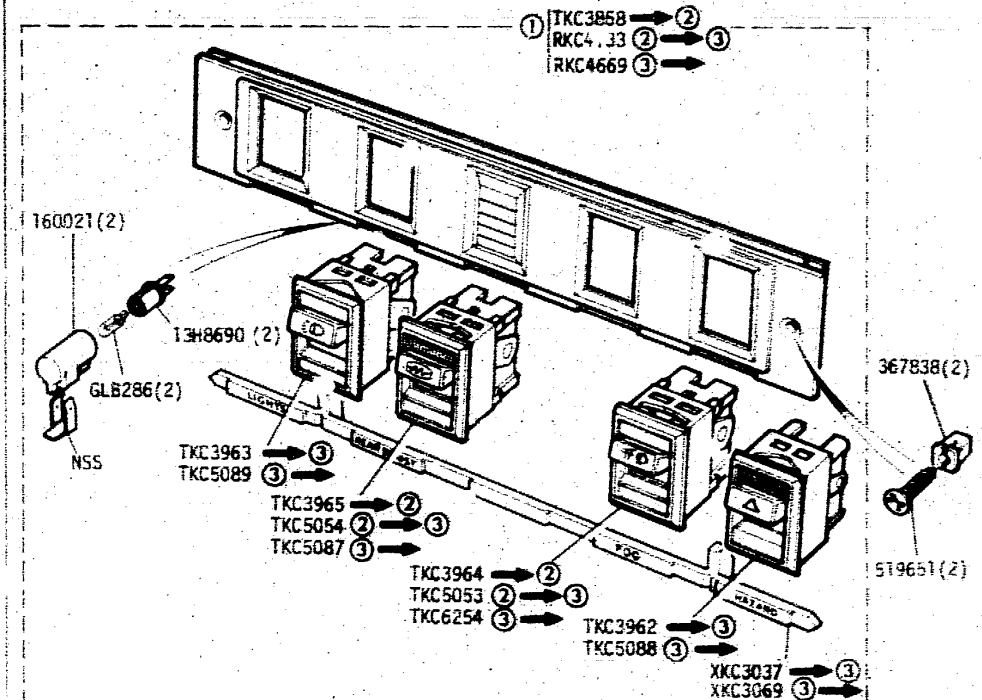
① VIN 402027

TRB PI

TL 14L

84957

GROUP K  
ELECTRICAL - Facia Switches



① TL 13L For Convertible

② VIN 200001

③ VIN 402001

TRB Coupe

TL 14R

VS1920

GROUP INDEX

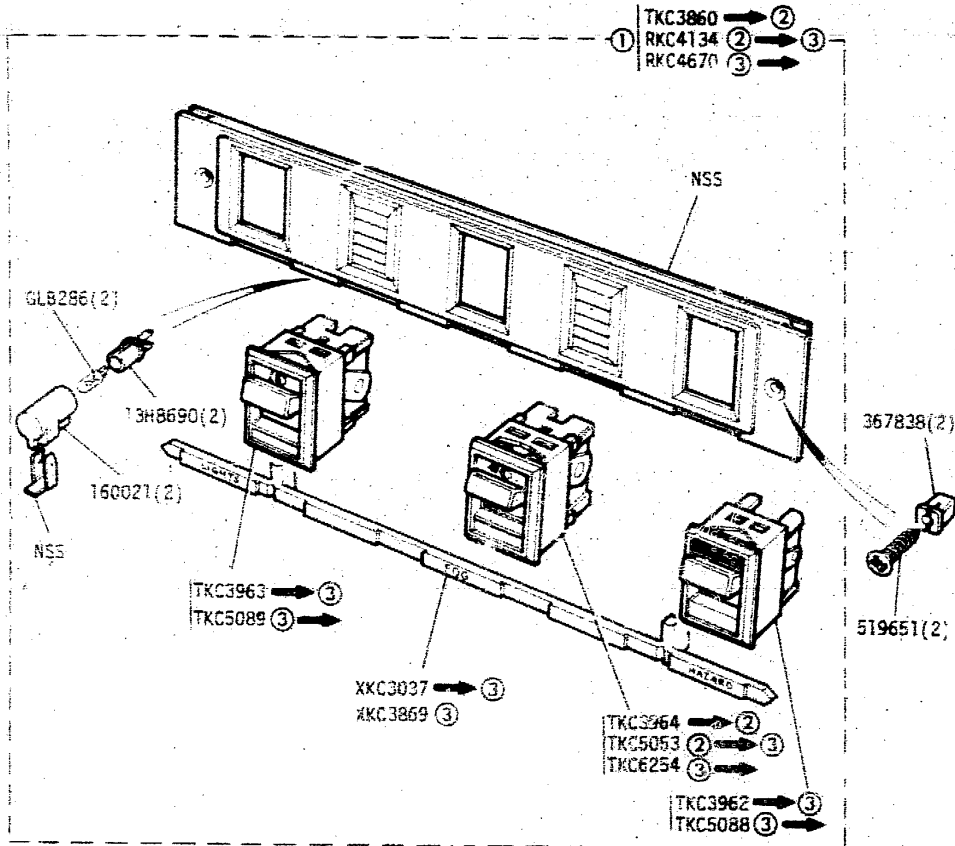
Introduction **1B 2B**  
 Engine **1C**  
 Flywheel and Clutch **1D**  
 Gearbox and Propshaft **1E**  
 Axles, Suspension, Drive Shafts, Wheels **1F**

Steering **1G**  
 Brakes and Brake Controls **1H**  
 Fuel, Exhaust and Emission Systems **1I - J**  
 Cooling, Heating and Air Conditioning **1K**  
 Electrical, Washers/Wipers, Instruments **1L - 1M**

Chassis, Subframes, Bodyshell, Fittings **2C**  
 Facia, Trim, Seats and Fixings **2D**  
 Miscellaneous **2E**  
 Numerical Index **2F**

**1L14**

GROUP K  
ELECTRICAL - Facia Switches



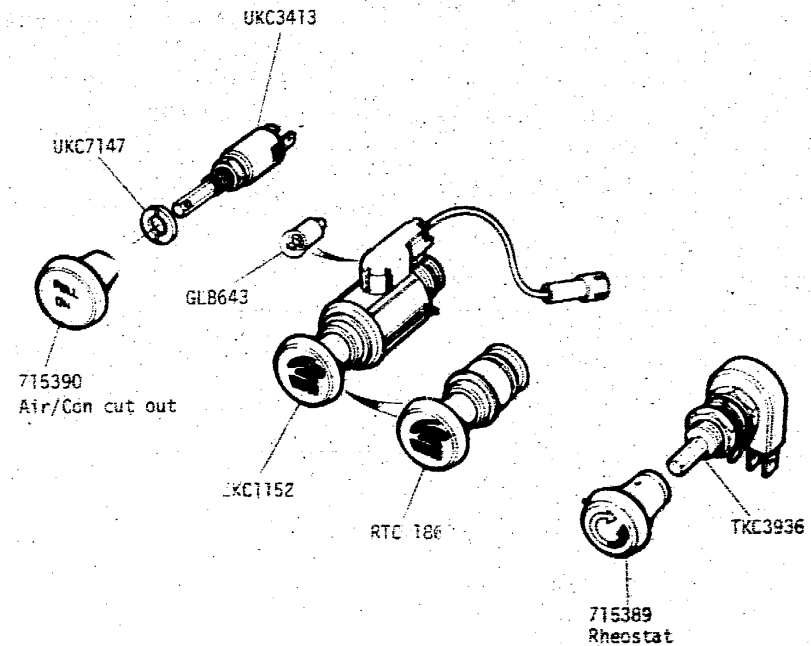
- ① ← 1L 12R FOR COUPE
- ② VIN 200001
- ③ VIN 407001

TR8 Convertible

1L 15L

VS2081

GROUP K  
ELECTRICAL - Cigar Lighter, Rheostat Switches



TR8

1L 15R

VS1919

GROUP INDEX

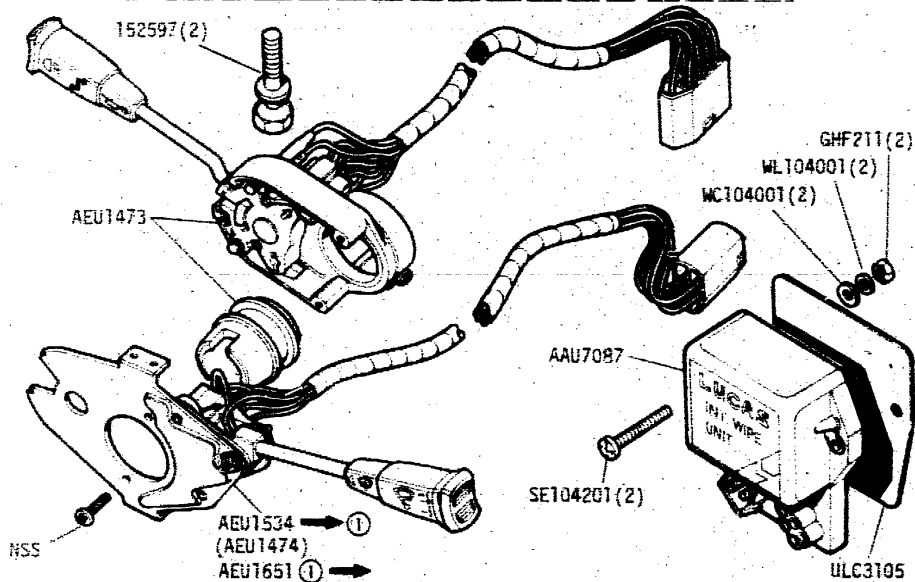
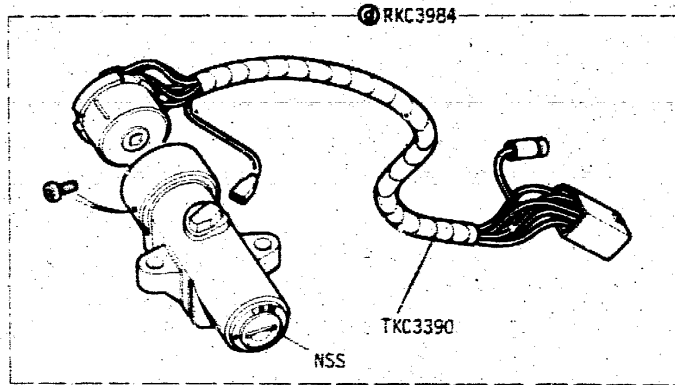
Introduction **1B 2B**  
 Engine **1C**  
 Flywheel and Clutch **1D**  
 Carbox and Propshaft **1E**  
 Axles, Suspension, Drive Shafts, Wheels **1F**

Steering **1G**  
 Brakes and Brake Controls **1H**  
 Fuel, Exhaust and Emission Systems **1I - J**  
 Cooling, Heating and Air Conditioning **1K**  
 Electrical, Washers/Wipers, Instruments **1L - M**

Chassis, Subframes, Bodyshell, Fittings **2C**  
 Fascia, Trim, Seats and Fixings **2D**  
 Miscellaneous **2E**  
 Numerical Index **2F**

**1L15**

GROUP K  
ELECTRICAL - Steering Column Switches



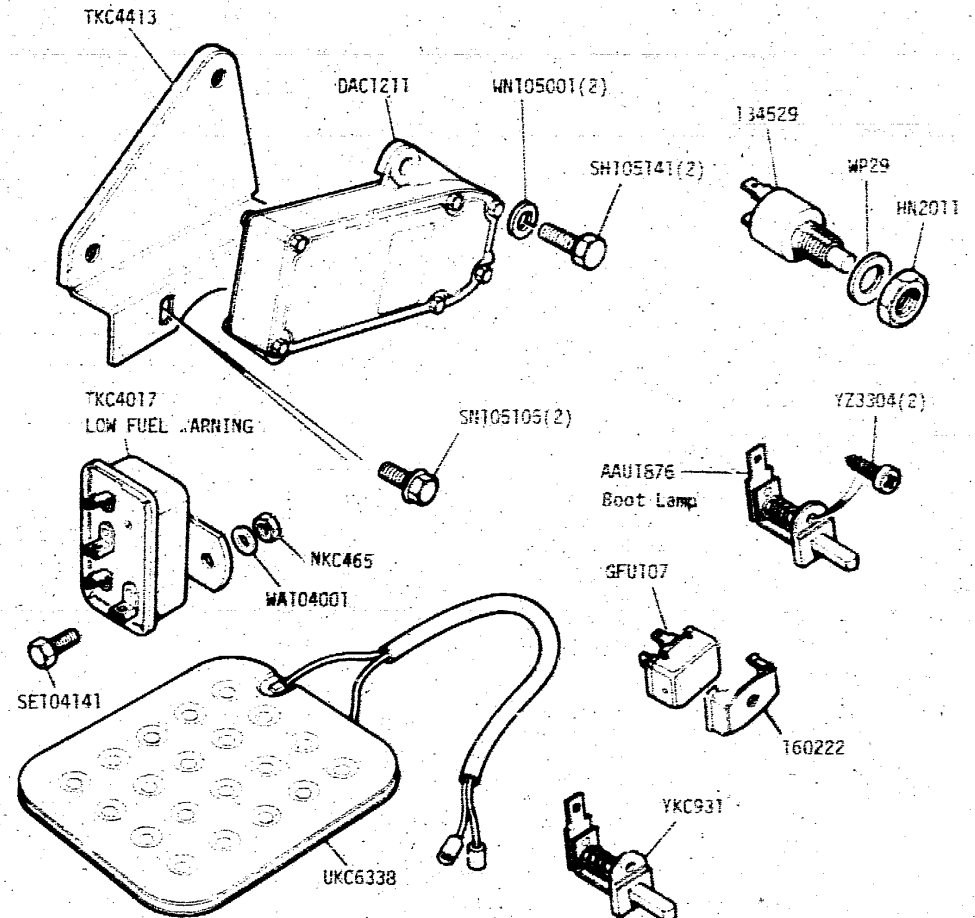
① VIN 402001

TR8

1L 16L

B4433/4

GROUP K  
ELECTRICAL - Miscellaneous Switches, Flasher Unit.



TR8

1L 16R

V51987

GROUP INDEX

Introduction  
Engine  
Flywheel and Clutch  
Gearbox and Propshaft  
Axes, Suspension, Drive Shafts, Wheels

**1B 2B**  
**1C**  
**1D**  
**1E**  
**1F**

Steering  
Brakes and Brake Controls  
Fuel, Exhaust and Emission Systems  
Cooling, Heating and Air Conditioning  
Electrical, Washers/Wipers, Instruments

**1G**  
**1H**  
**1I - J**  
**1K**  
**1L - M**

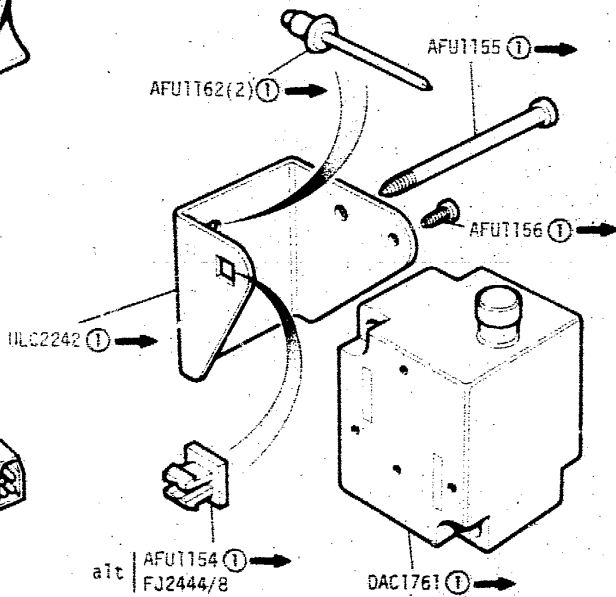
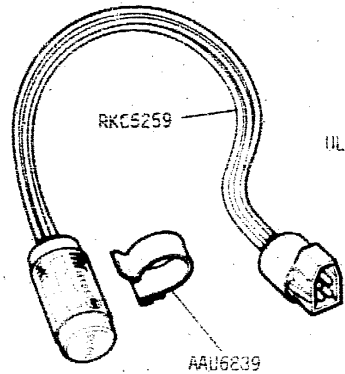
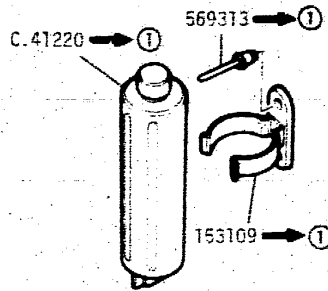
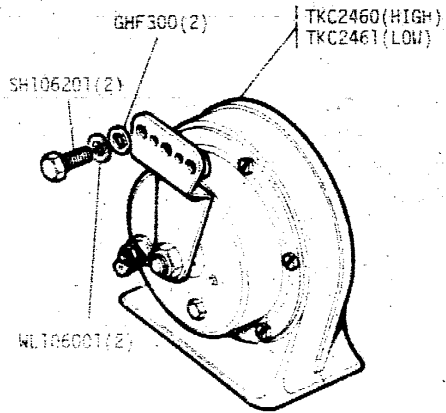
Chassis, Subframes, Bodysheil, Fittings  
Fascia, Trim, Seats and Fixings  
Miscellaneous  
Numerical Index

**2C**  
**2D**  
**2E**  
**2F**

**1L16**



GROUP K  
HORN INERTIA SWITCH



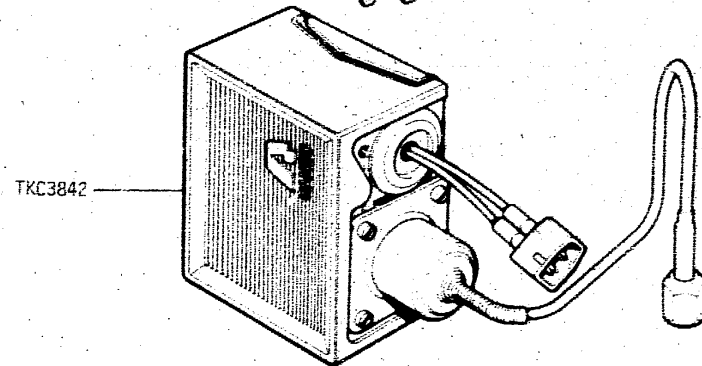
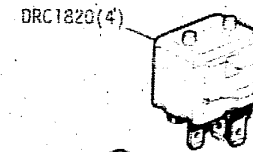
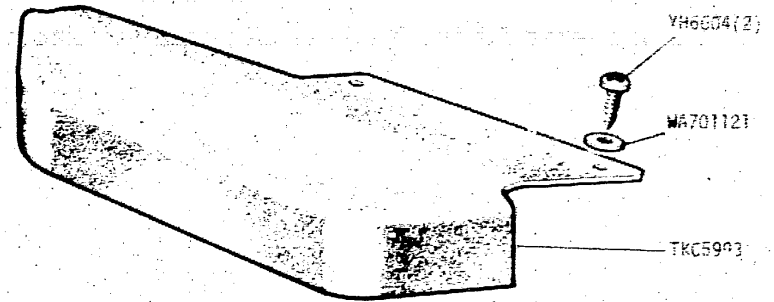
① V14 200001

TR8

1L 17L

V51986

GROUP K  
ELECTRICAL - AIR CONDITIONING RELAYS PRESSURE CUT OUT SWITCH



T33

1L 17R

V51793

GROUP INDEX

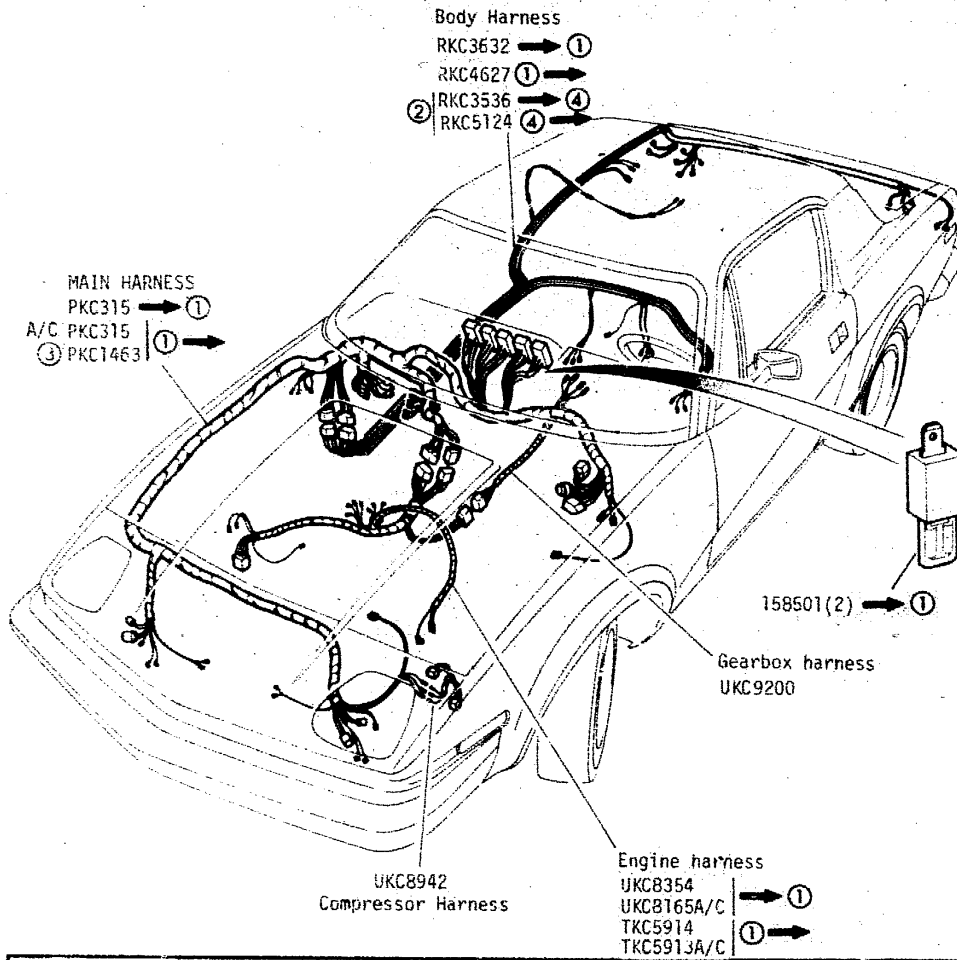
Introduction **1B 2B**  
 Engine **1C**  
 Flywheel and Clutch **1D**  
 Gearbox and Propshaft **1E**  
 Axles, Suspension, Drive Shafts, Wheels **1F**

Steering **1G**  
 Brakes and Brake Controls **1H**  
 Fuel, Exhaust and Emission Systems **1I**  
 Cooling, Heating and Air Conditioning **1K**  
 Electrical, Washers-Wipers, Instruments **1L-1M**

Chassis, Subframes, Bodyshell, Fittings **2C**  
 Fascia, Trim, Seats and Fixings **2D**  
 Miscellaneous **2E**  
 Numerical Index **2F**

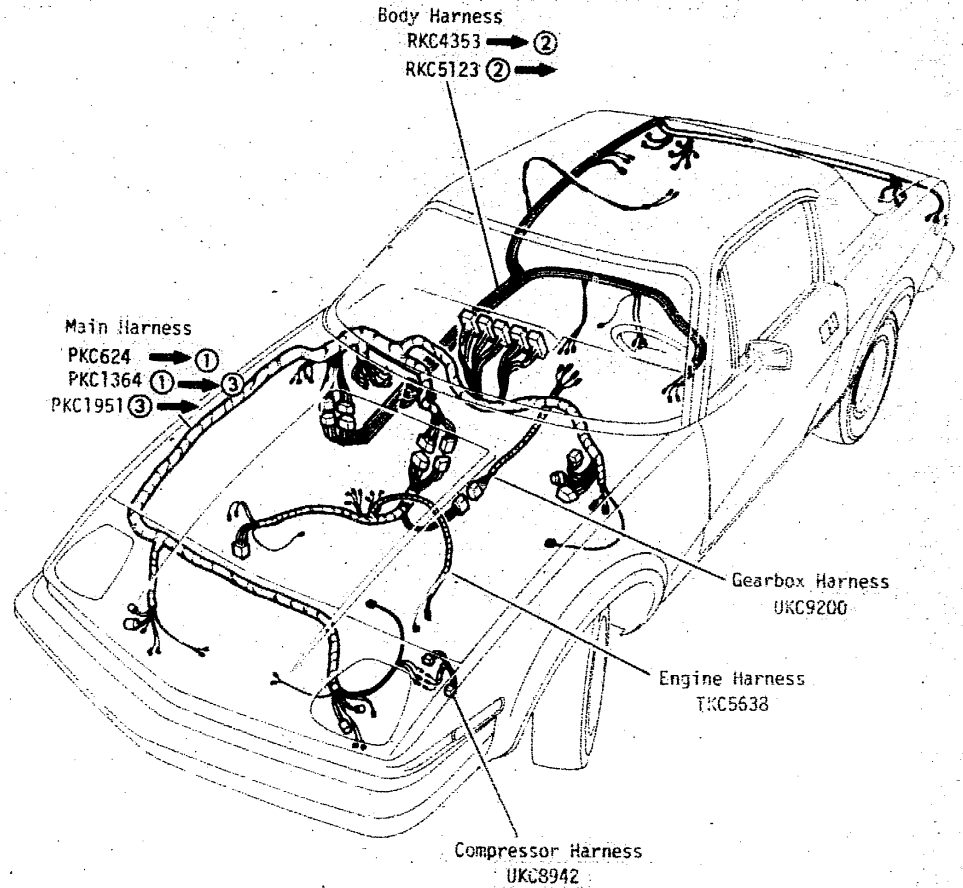
**1L17**

GROUP K  
ELECTRICAL - Wiring harness - CARB



- ① VIN 200001
  - ② CONVERTIBLE
  - ③ HEATER
  - ④ VIN 404879
- TR8 CARB                      1M 02L                      66645/3

GROUP K  
ELECTRICAL Wiring Harness-PI



- ① VIN402027
  - ② VIN 404879
  - ③ VIN404602
- TR8 PI    1M 02R

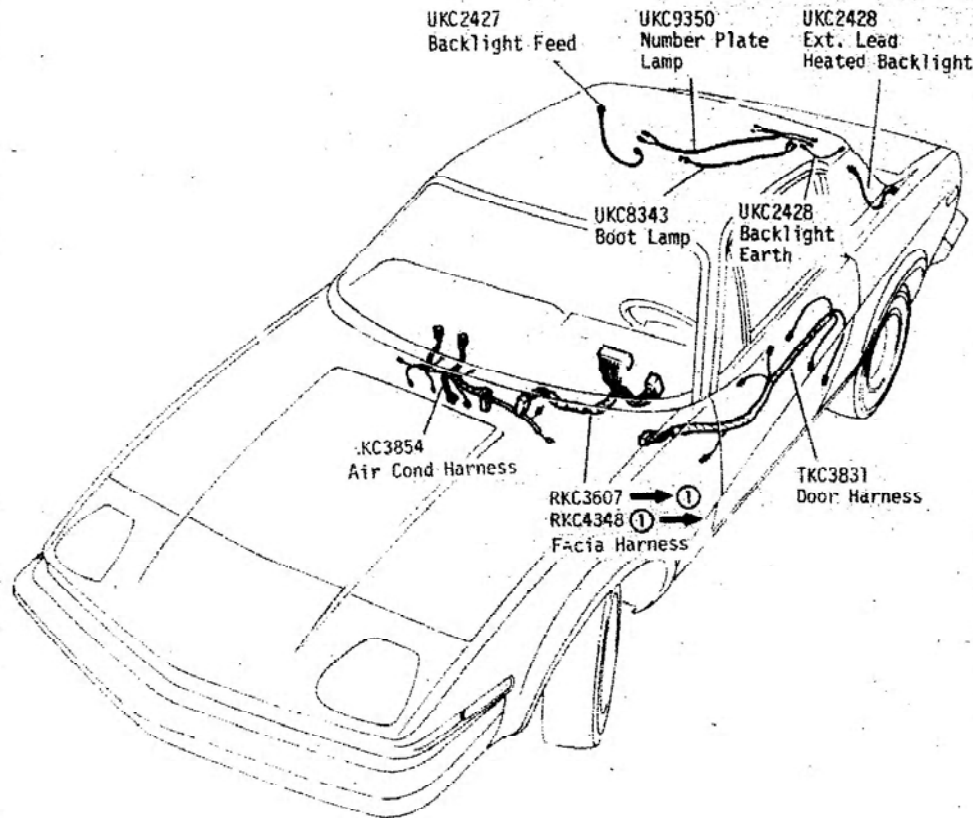
GROUP INDEX

Introduction	<b>1B 2B</b>	Steering	<b>1G</b>
Engine	<b>1C</b>	Brakes and Brake Controls	<b>1H</b>
Flywheel and Clutch	<b>1D</b>	Fuel, Exhaust and Emission Systems	<b>1I - J</b>
Gearbox and Propshaft	<b>1E</b>	Cooling, Heating and Air Conditioning	<b>1K</b>
Axles, Suspension, Drive Shafts, Wheels	<b>1F</b>	Electrical, Washers-Wipers, Instruments	<b>1L-M</b>

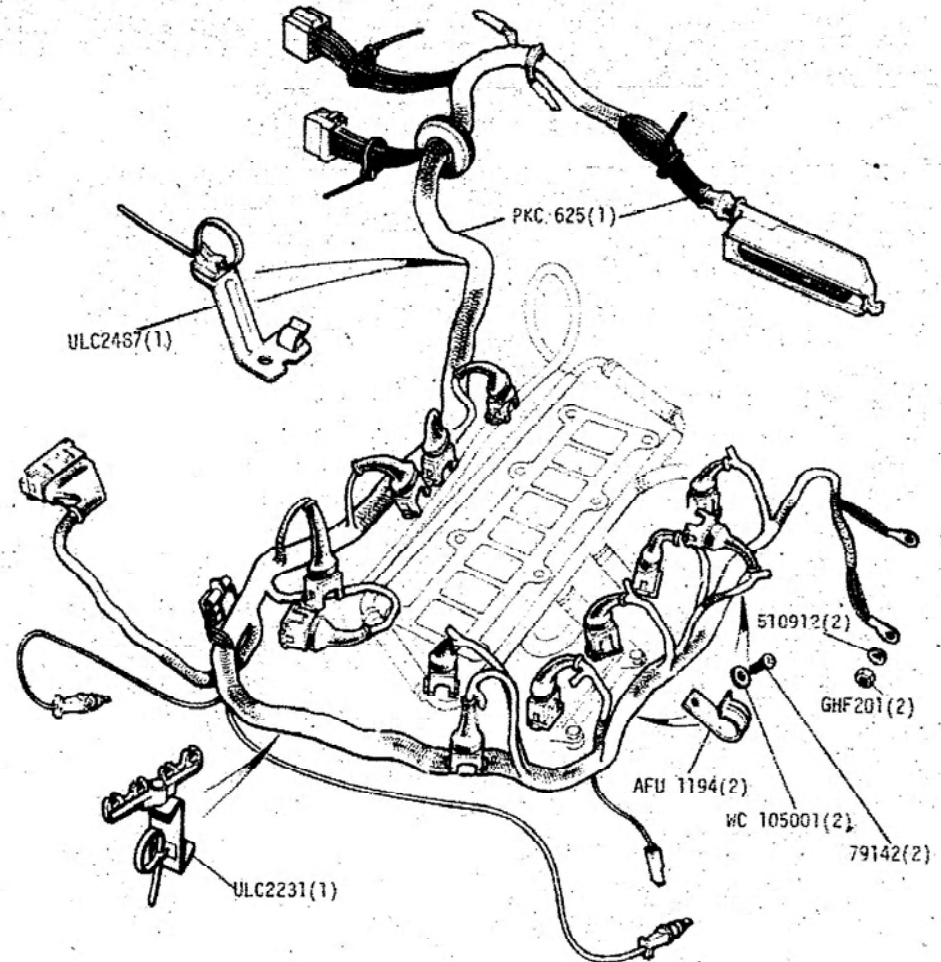
Chassis, Subframes, BodysHELL, Fittings	<b>2C</b>
Fascia, Trim, Seats and Fixings	<b>2D</b>
Miscellaneous	<b>2E</b>
Numerical Index	<b>2F</b>

**1M02**

GROUP K  
ELECTRICAL - Harness Auxiliary Leads



GROUP K  
ELECTRICAL - FUEL INJECTION HARNESS



RKC4448 Ignition Harness A/C	①	① VIN200001
UKC8344 Ignition Harness Heater	①	② VIN 402027
TKC5543 Radiator Thermostat Cable		
TKC4558 Ignition Harness (Heater)	① → ②	BRC901 Sheath - door harness
RKC3932 " " Air Con	① → ②	
TKC5716 " " P.I. Heater	① → ②	
RKC4577 " " P.I. Air Con	① → ②	
TKC4558 " " Heater CDN	② →	
RKC3932 " " Air con CDN		

TR8 1M 03L VS1081

TR8 1M 03R VS1983

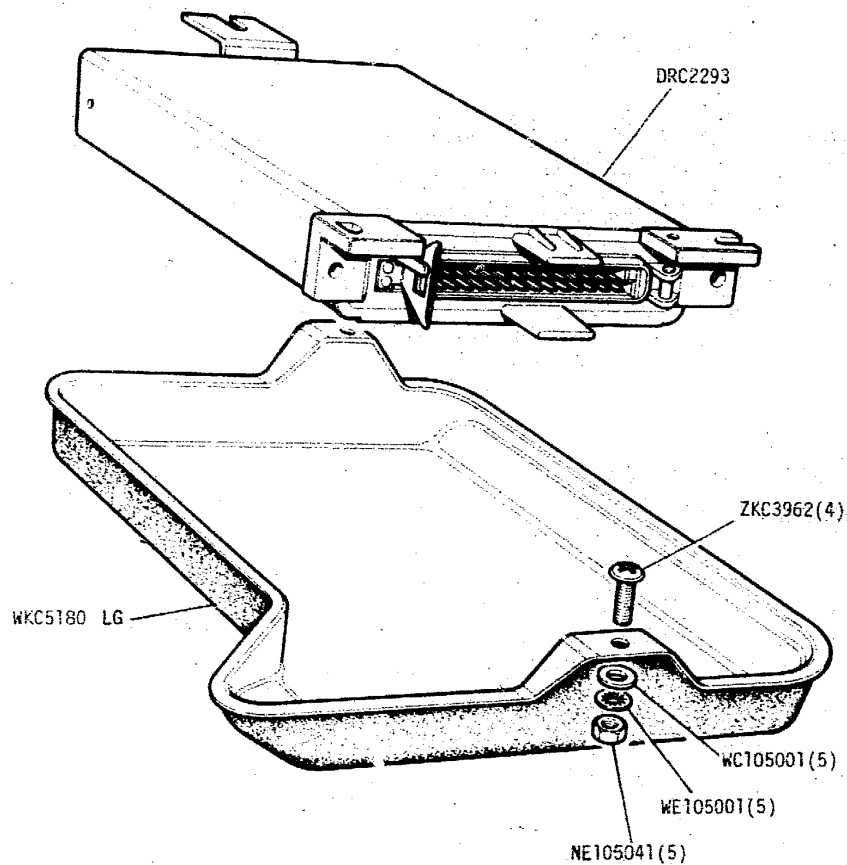
GROUP INDEX

Introduction	1B 2B	Steering	1G
Engine	1C	Brakes and Brake Controls	1H
Flywheel and Clutch	1D	Fuel, Exhaust and Emission Systems	1I - J
Gearbox and Propshaft	1E	Cooling, Heating and Air Conditioning	1K
Axles, Suspension, Drive Shafts, Wheels	1F	Electrical, Washers/Wipers, Instruments	1L - M

Chassis, Subframes, Bodyshell, Fittings	2C
Fascia, Trim, Seats and Fixings	2D
Miscellaneous	2E
Numerical Index	2F

**1M03**

GROUP K  
ELECTRICAL - ECU AND COVER



LG - GREY

TR3 P1

1M 04L

VS1789

GROUP INDEX

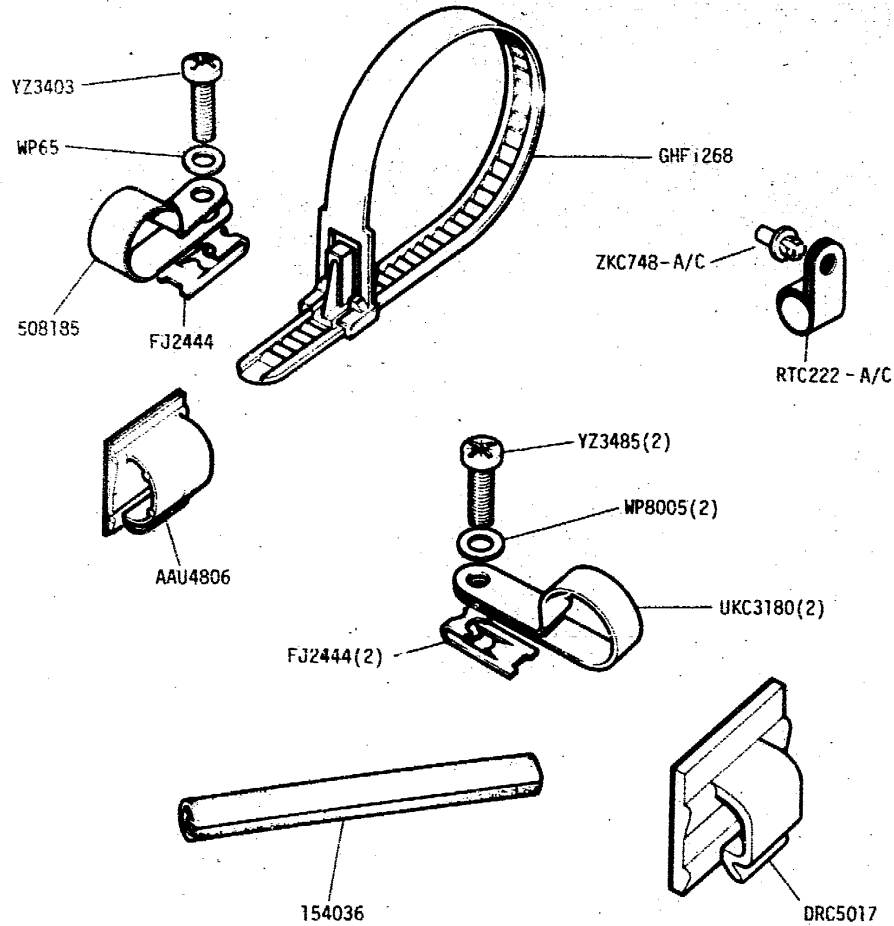
Introduction	<b>1B 2B</b>	Steering	<b>1G</b>	Chassis, Subframes, Bodyshell, Fittings	<b>2C</b>
Engine	<b>1C</b>	Brakes and Brake Controls	<b>1H</b>	Fascia, Trim, Seats and Fixings	<b>2D</b>
Flywheel and Clutch	<b>1D</b>	Fuel, Exhaust and Emission Systems	<b>1I - J</b>	Miscellaneous	<b>2E</b>
Gearbox and Propshaft	<b>1E</b>	Cooling, Heating and Air Conditioning	<b>1K</b>	Numerical Index	<b>2F</b>
Axles, Suspension, Drive Shafts, Wheels	<b>1F</b>	Electrical, Washers-Wipers, Instruments	<b>1L - M</b>		

'NO ILLUSTRATION'

1M.04 R.

**1M04**

GROUP K  
ELECTRICAL - Harness Attachments

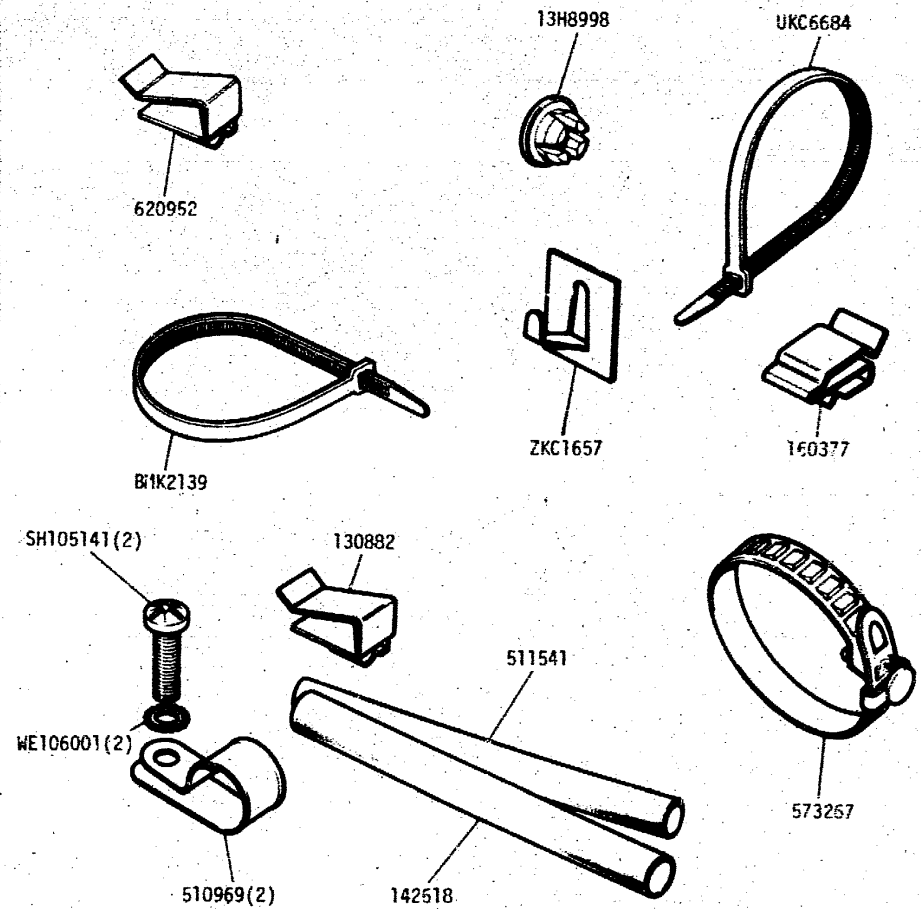


TR8

1M 05L

VS1418

GROUP K  
ELECTRICAL - Harness Attachments



TR8

1M 05R

VS1417

GROUP INDEX

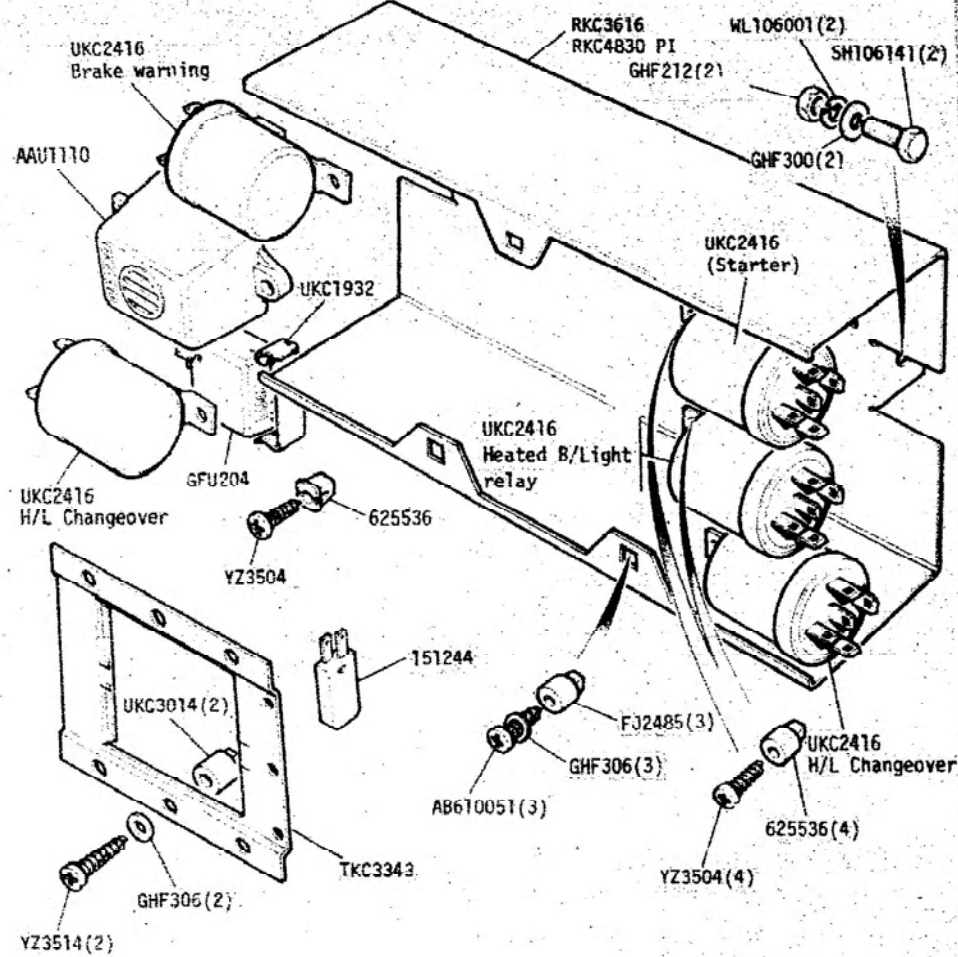
Introduction **1B 2B**  
Engine **1C**  
Flywheel and Clutch **1D**  
Gearbox and Propshaft **1E**  
Axles, Suspension, Drive Shafts, Wheels **1F**

Steering **1G**  
Brakes and Brake Controls **1H**  
Fuel, Exhaust and Emission Systems **1I - J**  
Cooling, Heating and Air Conditioning **1K**  
Electrical, Washers-Wipers, Instruments **1L-M**

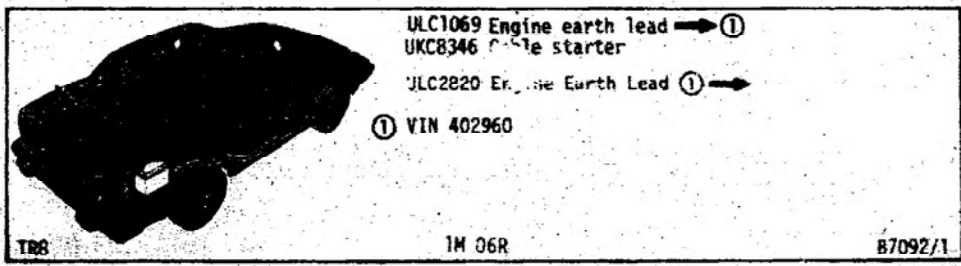
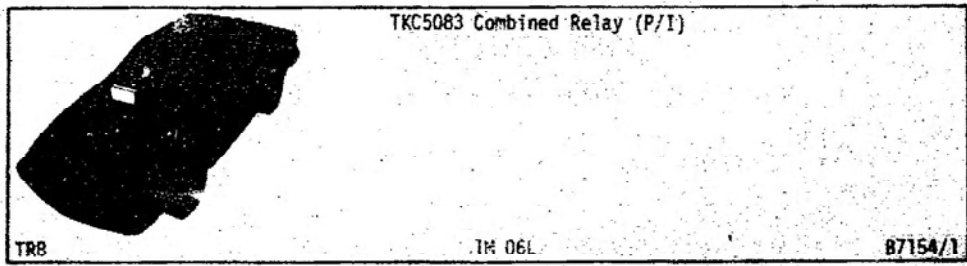
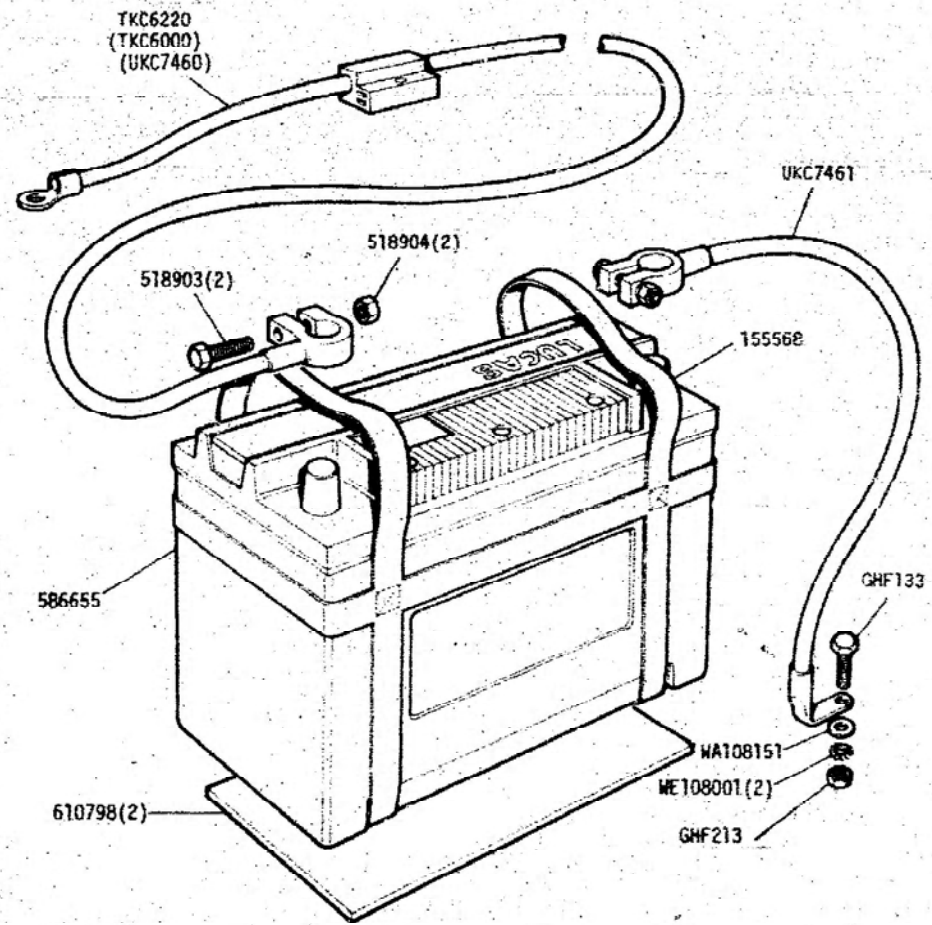
Chassis, Subframes, Bodyshell, Fittings **2C**  
Fascia, Trim, Seats and Fixings **2D**  
Miscellaneous **2E**  
Numerical Index **2F**

**1M05**

**GROUP K**  
ELECTRICAL - Relay plate, fuse box, hazard unit



**GROUP K**  
ELECTRICAL - Battery



**GROUP INDEX**

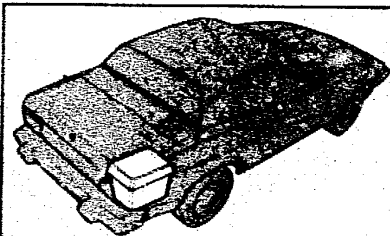
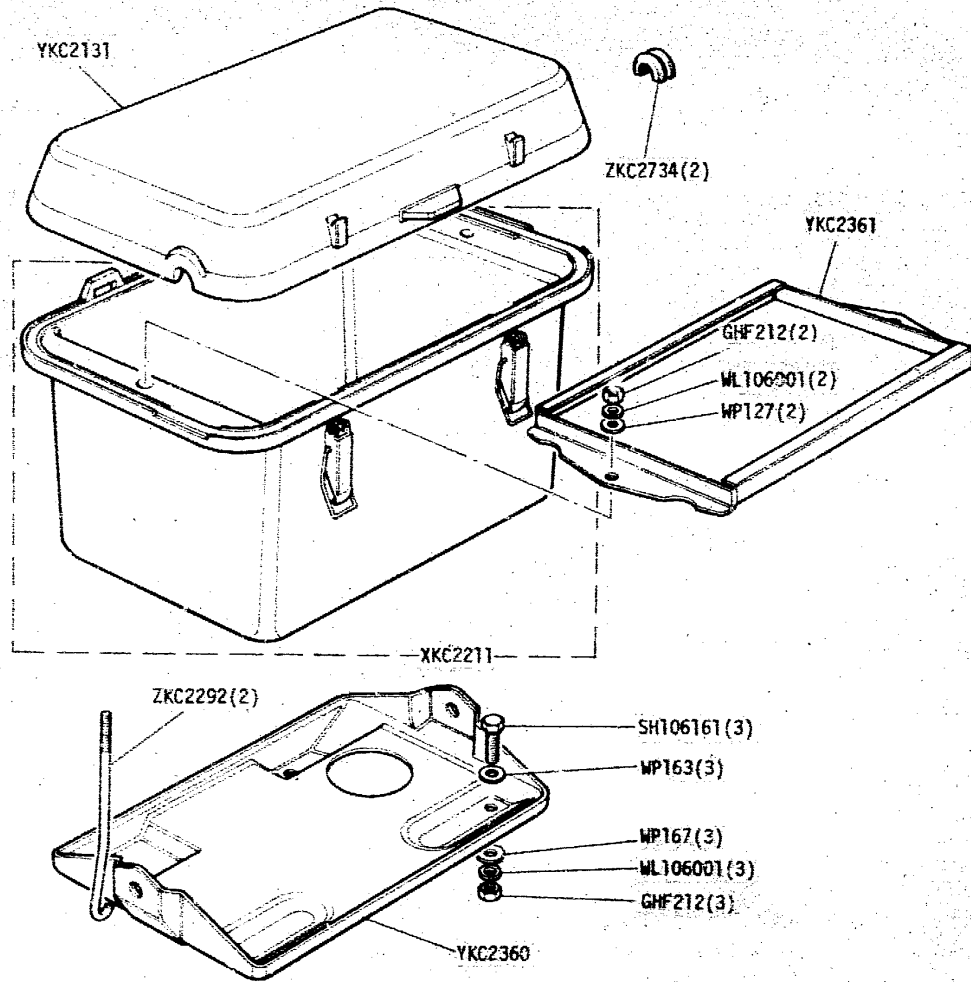
Introduction	<b>1B 2B</b>	Steering	<b>1G</b>
Engine	<b>1C</b>	Brakes and Brake Controls	<b>1H</b>
Flywheel and Clutch	<b>1D</b>	Fuel, Exhaust and Emission Systems	<b>1I - J</b>
Gearbox and Propshaft	<b>1E</b>	Cooling, Heating and Air Conditioning	<b>1K</b>
Axles, Suspension, Drive Shafts, Wheels	<b>1F</b>	Electrical, Washers-Wipers, Instruments	<b>1L - M</b>

Chassis, Subframes, Bodyshell, Fittings	<b>2C</b>
Fascia, Trim, Seats and Fixings	<b>2D</b>
Miscellaneous	<b>2E</b>
Numerical Index	<b>2F</b>

**1M06**



GROUP K  
ELECTRICAL EQUIPMENT - Battery box

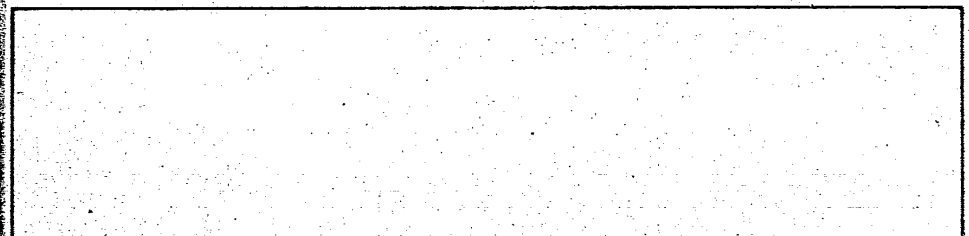
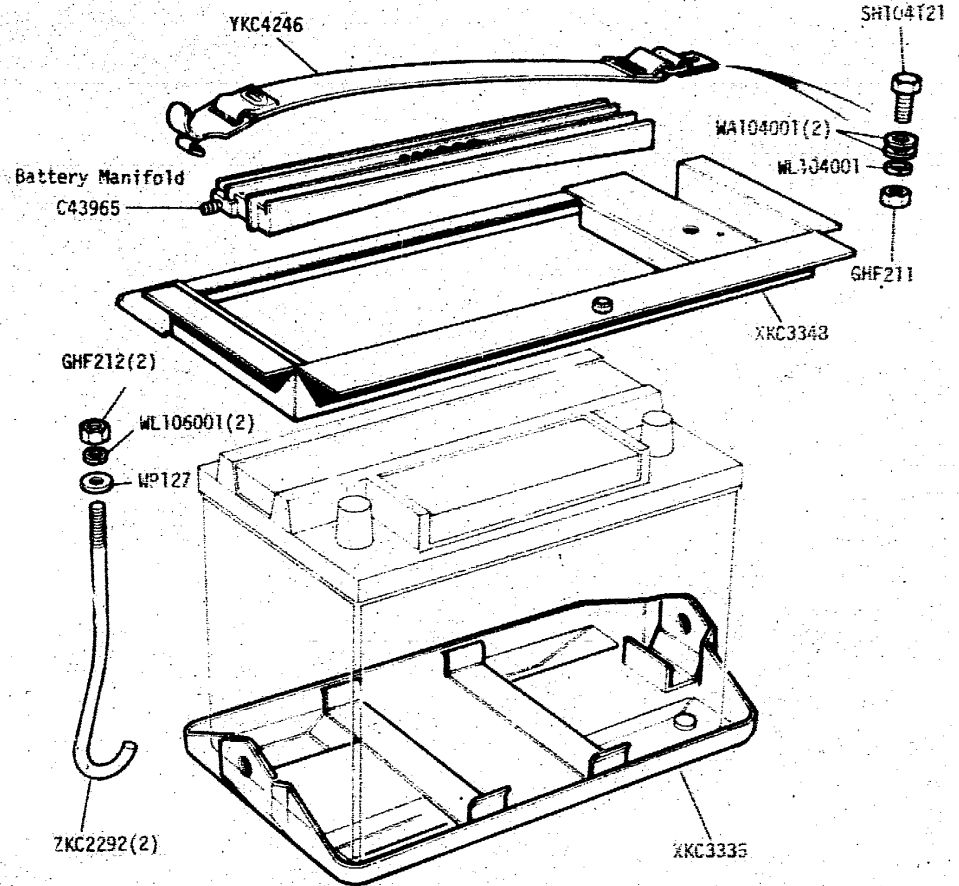


TR8

1M 07L

B7093/1

GROUP K  
ELECTRICAL EQUIPMENT - Battery Clamp and Manifold



TR8

1M 07R

VS1303

GROUP INDEX

Introduction **1B 2B**  
 Engine **1C**  
 Flywheel and Clutch **1D**  
 Gearbox and Propshaft **1E**  
 Axles, Suspension, Drive Shafts, Wheels **1F**

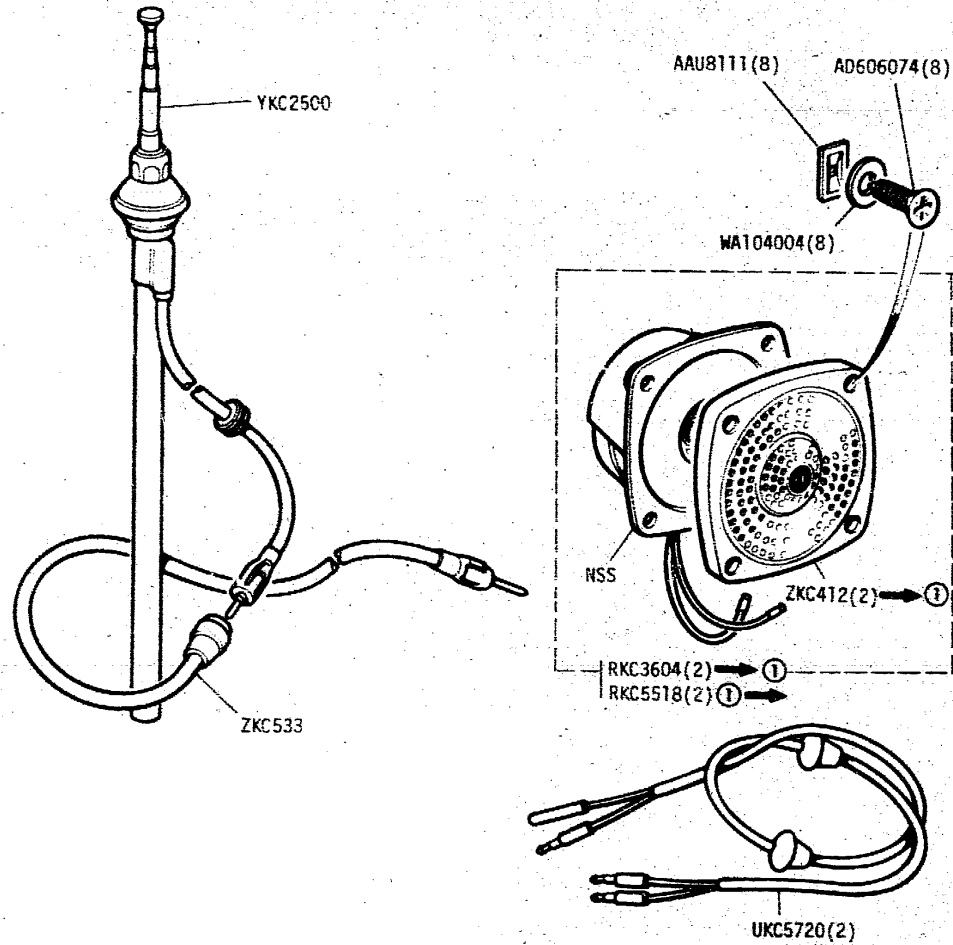
Steering **1G**  
 Brakes and Brake Controls **1H**  
 Fuel, Exhaust and Emission Systems **1I - J**  
 Cooling, Heating and Air Conditioning **1K**  
 Electrical, Washers-Wipers, Instruments **1L - M**

Chassis, Subframes, Bodyshell, Fittings **2C**  
 Fascia, Trim, Seats and Fixings **2D**  
 Miscellaneous **2E**  
 Numerical Index **2F**

**1M07**



GROUP K  
ELECTRICAL - Radio Aerial and Speakers



① VIN403112

TR8

1M 08L

VS1365

**BLANK**

**GROUP INDEX**

Introduction	<b>1B 2B</b>	Steering	<b>1G</b>	Chassis, Subframes, Bodyshell, Fittings	<b>2C</b>
Engine	<b>1C</b>	Brakes and Brake Controls	<b>1H</b>	Fascia, Trim, Seats and Fixings	<b>2D</b>
Flywheel and Clutch	<b>1D</b>	Fuel, Exhaust and Emission Systems	<b>1I - J</b>	Miscellaneous	<b>2E</b>
Gearbox and Propshaft	<b>1E</b>	Cooling, Heating and Air Conditioning	<b>1K</b>	Numerical Index	<b>2F</b>
Axles, Suspension, Drive Shafts, Wheels	<b>1F</b>	Electrical, Washers-Wipers, Instruments	<b>1L - M</b>		

**1M08**