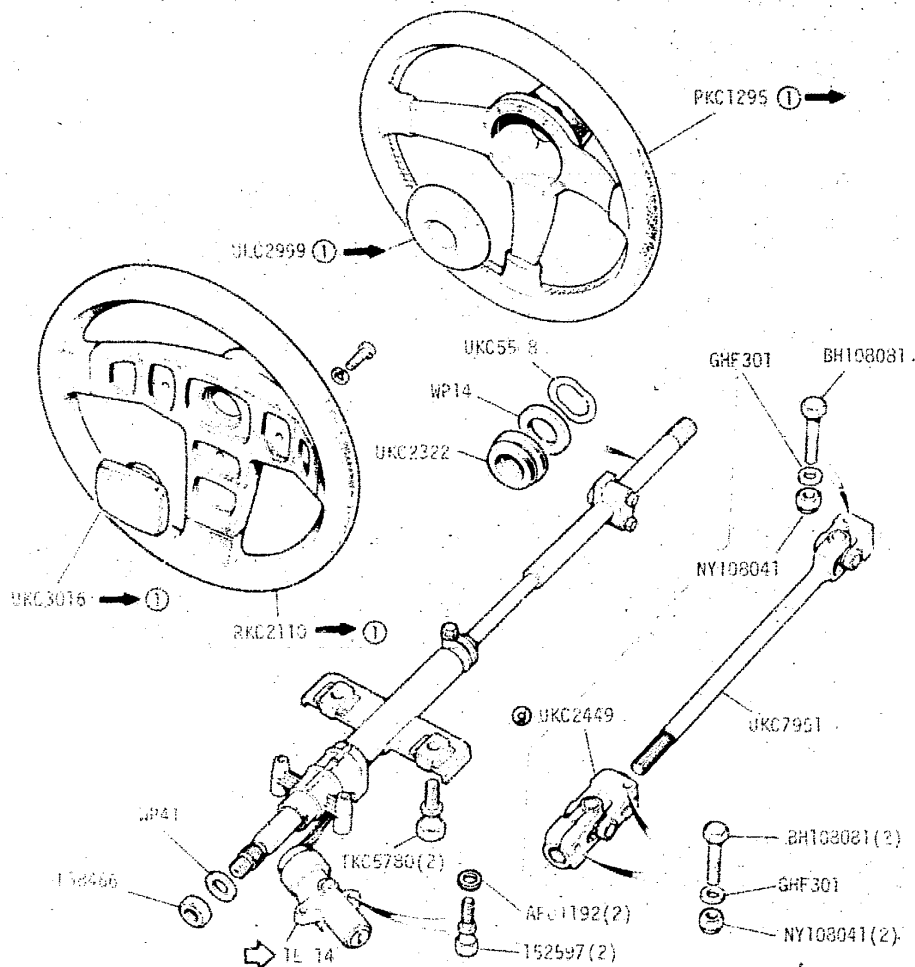


GROUP F
STEERING - Steering Wheel, Universal Joint, Lower Shaft



① 714 200801

TR8

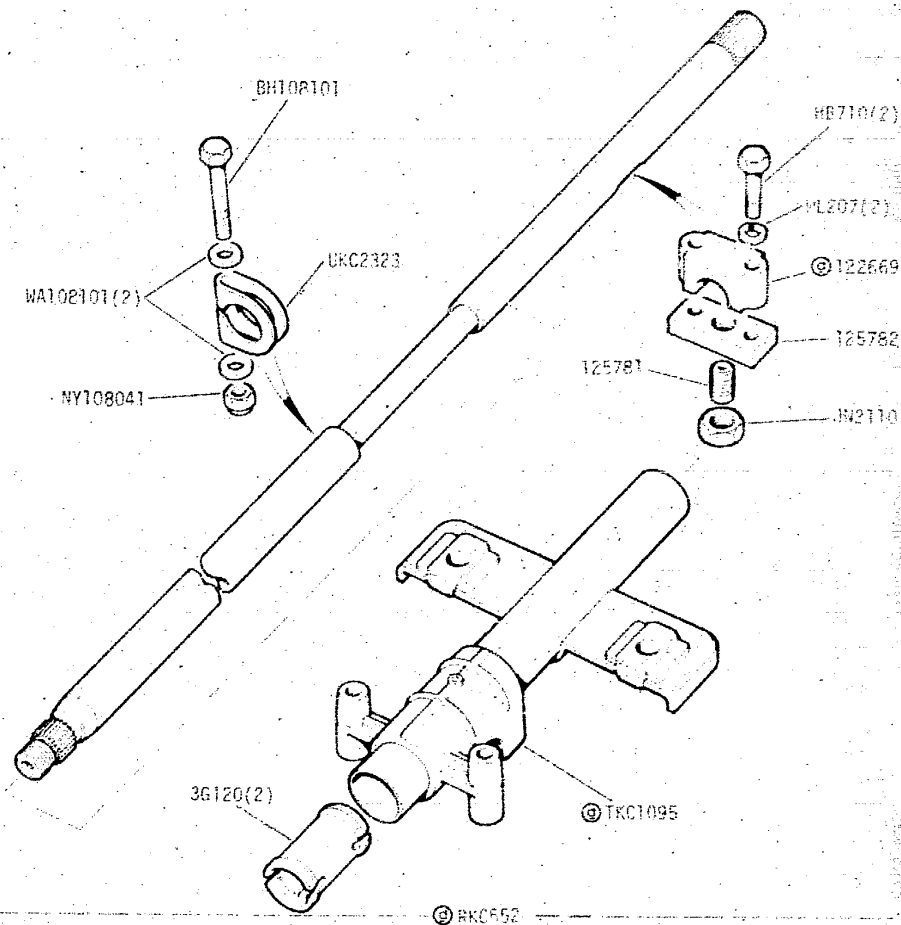
1G 02L

VS1950

GROUP INDEX

Introduction	1B 2B	Steering	1G
Engine	1C	Brakes and Brake Controls	1H
Flywheel and Clutch	1D	Fuel, Exhaust and Emission Systems	1I - J
Gearbox and Propshaft	1E	Cooling, Heating and Air Conditioning	1K
Axles, Suspension, Drive Shafts, Wheels	1F	Electrical, Washers-Wipers, Instruments	1L - M

GROUP F
STEERING - Upper column, outer tube, upper bearing



TR8

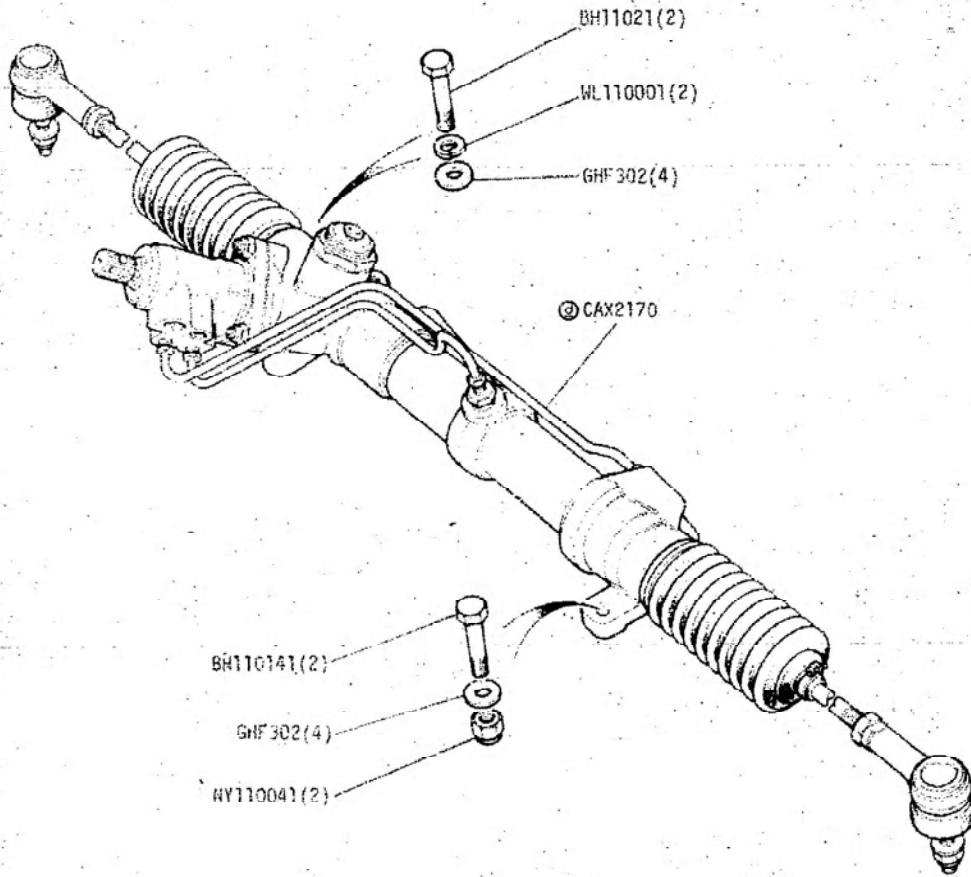
1G 02R

87053

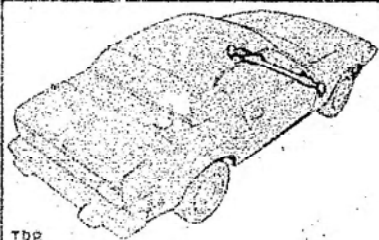
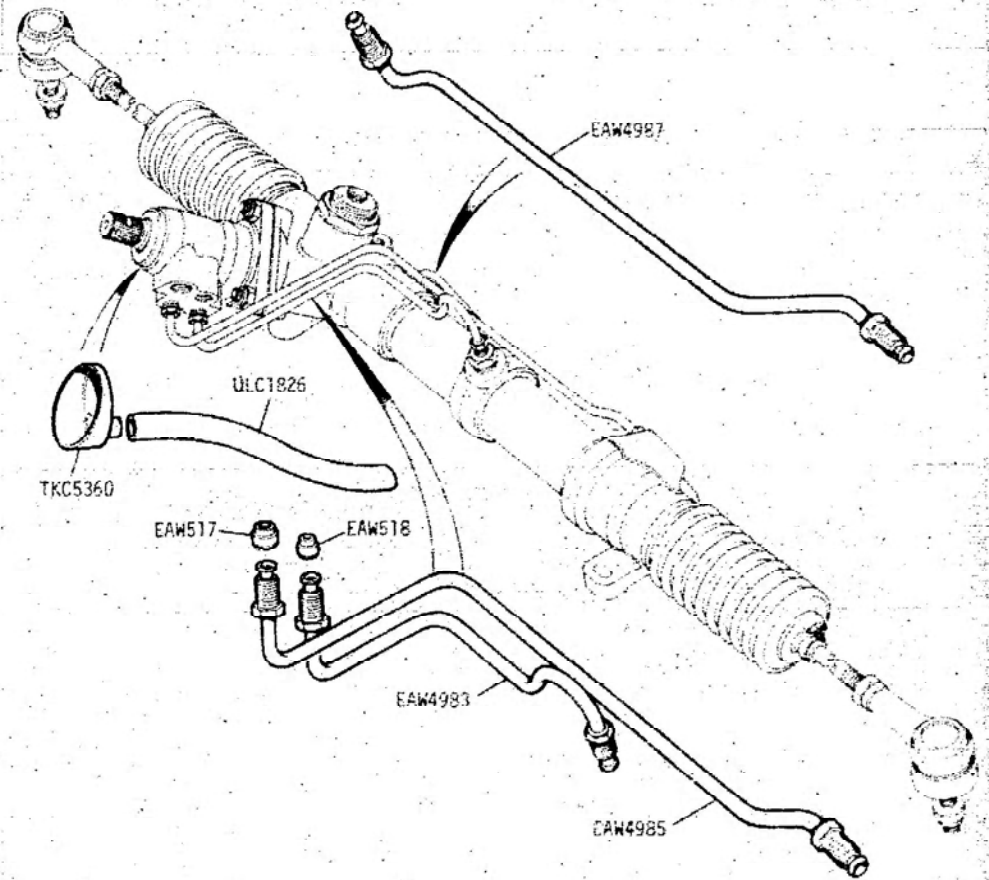
1G02

Chassis, Subframes, Bodyshell, Fittings	2C
Fascia, Trim, Seats and Fixings	2D
Miscellaneous	2E
Numerical Index	2F

GROUP F
STEERING - PAS Rack Assy



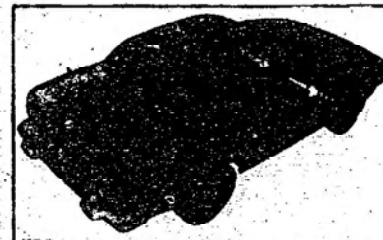
GROUP F
STEERING - PAS Hydraulic pipes



TR8

1G 03L

B703B/1



TR8

1G 03R

B703B/2

GROUP INDEX

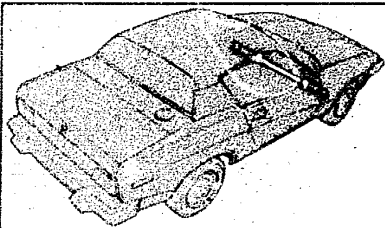
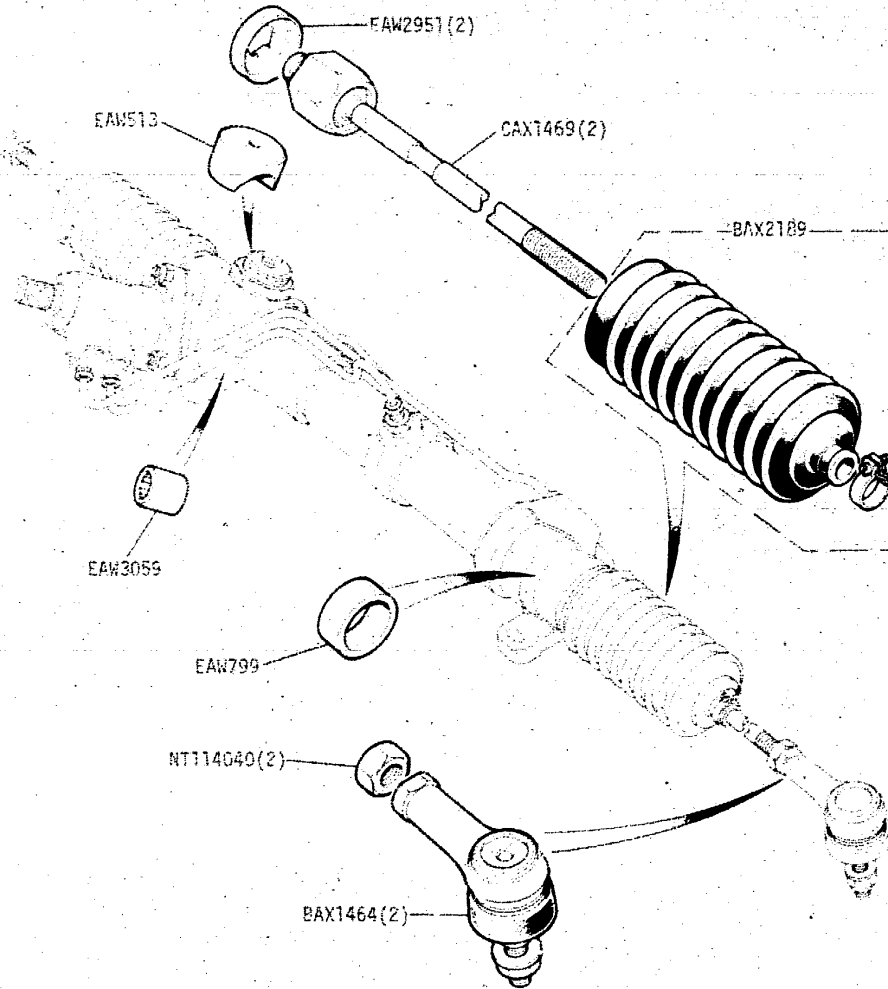
Introduction **1B 2B**
 Engine **1C**
 Flywheel and Clutch **1D**
 Gearbox and Propshaft **1E**
 Axes, Suspension, Drive Shafts, Wheels **1F**

Steering **1G**
 Brakes and Brake Controls **1H**
 Fuel, Exhaust and Emission Systems **1I - J**
 Cooling, Heating and Air Conditioning **1K**
 Electrical, Washers-Wipers, Instruments **1L - M**

Chassis, Subframes, Bodyshell, Fittings **2C**
 Fascia, Trim, Seats and Fixings **2D**
 Miscellaneous **2E**
 Numerical Index **2F**

1G03

GROUP F
STEERING - P A S Bellows and ball joints

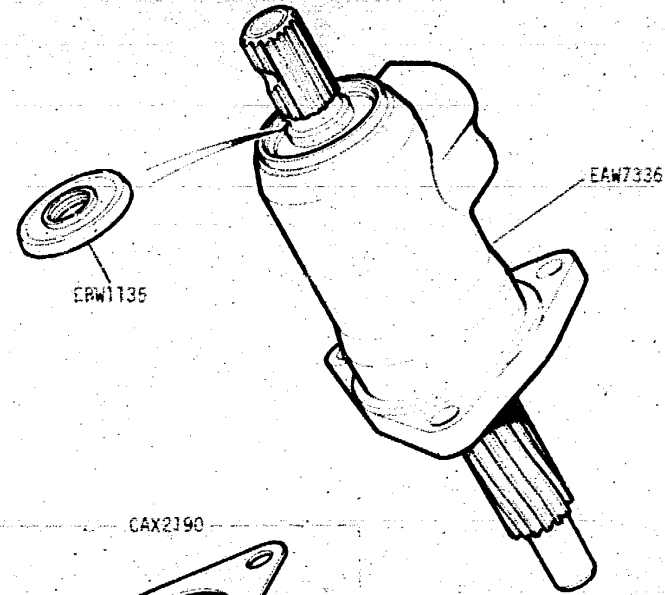


TR8

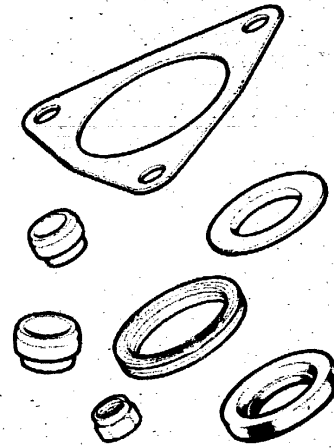
1G 04L

B7040/1

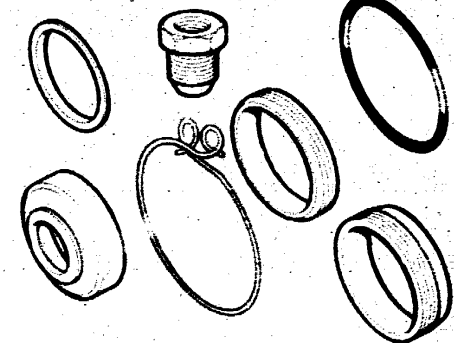
GROUP F
STEERING - P A S VALVE ASSY, SEAL KITS



CAX2190



RTC2393



TR8

1G 04R

VS1096

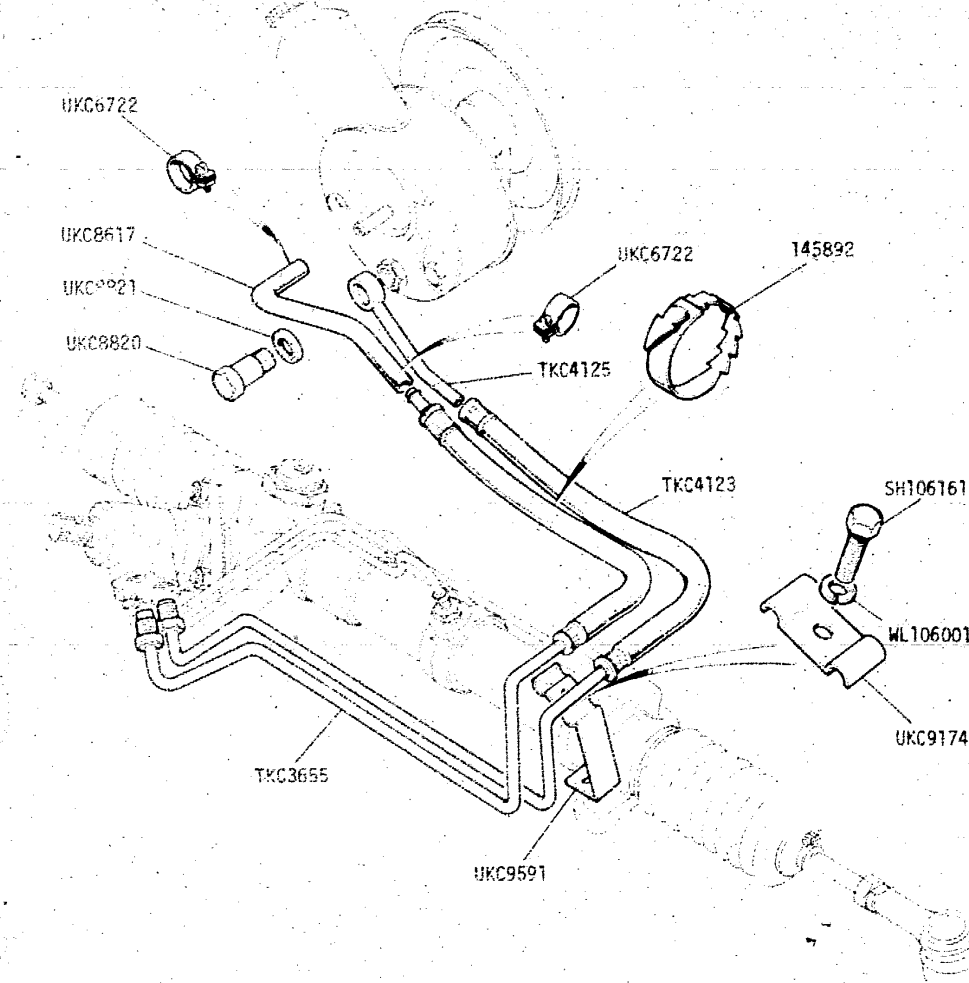
GROUP INDEX

Introduction	1B 2B	Steering	1G
Engine	1C	Brakes and Brake Controls	1H
Flywheel and Clutch	1D	Fuel, Exhaust and Emission Systems	1I - J
Gearbox and Propshaft	1E	Cooling, Heating and Air Conditioning	1K
Axles, Suspension, Drive Shafts, Wheels	1F	Electrical, Washers-Wipers, Instruments	1L-M

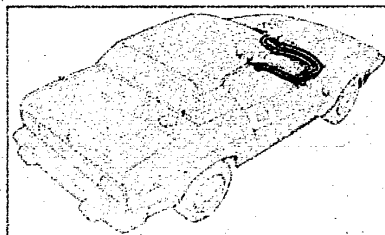
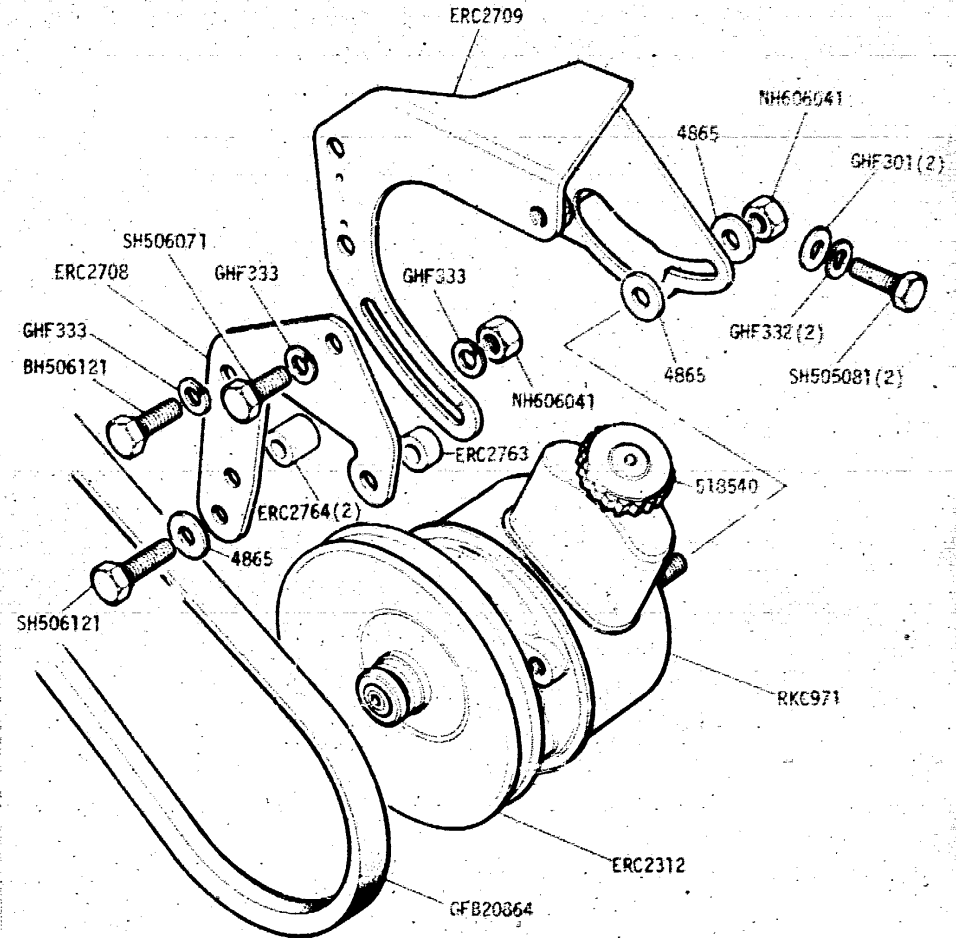
Chassis, Subframes, Bodyshell, Fittings	2C
Fascia, Trim, Seats and Fixings	2D
Miscellaneous	2E
Numerical Index	2F

1G04

GROUP F
STEERING - Pipes (Power Assisted)



GROUP F
STEERING - Steering pump mounting and driving belt



TR8

1G 05L

87091



TR8

1G 05R

87099/1

GROUP INDEX

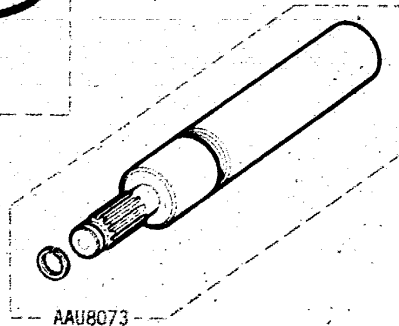
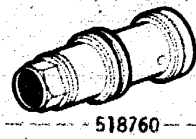
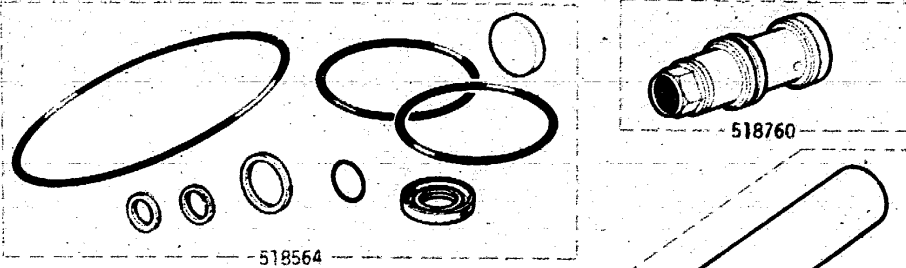
Introduction **1B 2B**
 Engine **1C**
 Flywheel and Clutch **1D**
 Gearbox and Propshaft **1E**
 Axes, Suspension, Drive Shafts, Wheels **1F**

Steering **1G**
 Brakes and Brake Controls **1H**
 Fuel, Exhaust and Emission Systems **1I - J**
 Cooling, Heating and Air Conditioning **1K**
 Electrical, Washers-Wipers, Instruments **1L - M**

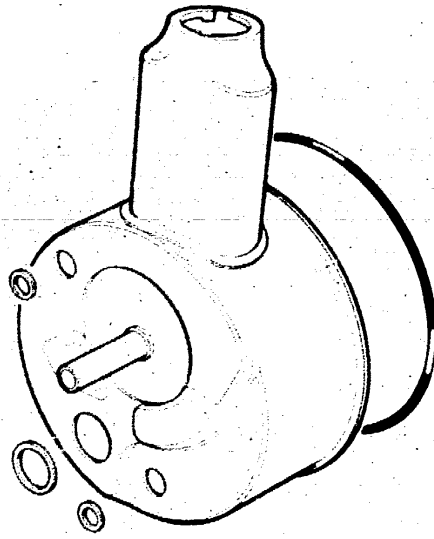
Chassis, Subframes, Bodyshell, Fittings **2C**
 Fascia, Trim, Seats and Fixings **2D**
 Miscellaneous **2E**
 Numerical Index **2F**

1G05

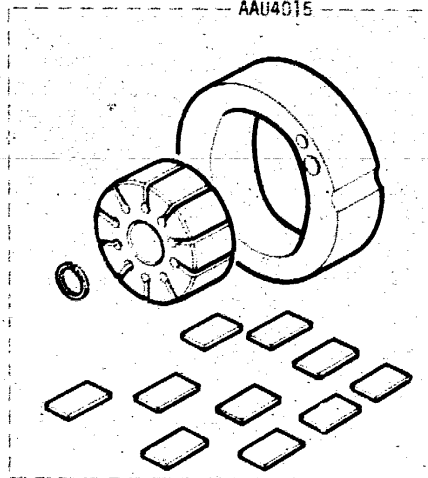
GROUP F
STEERING - Steering pump service kits



AAU8074

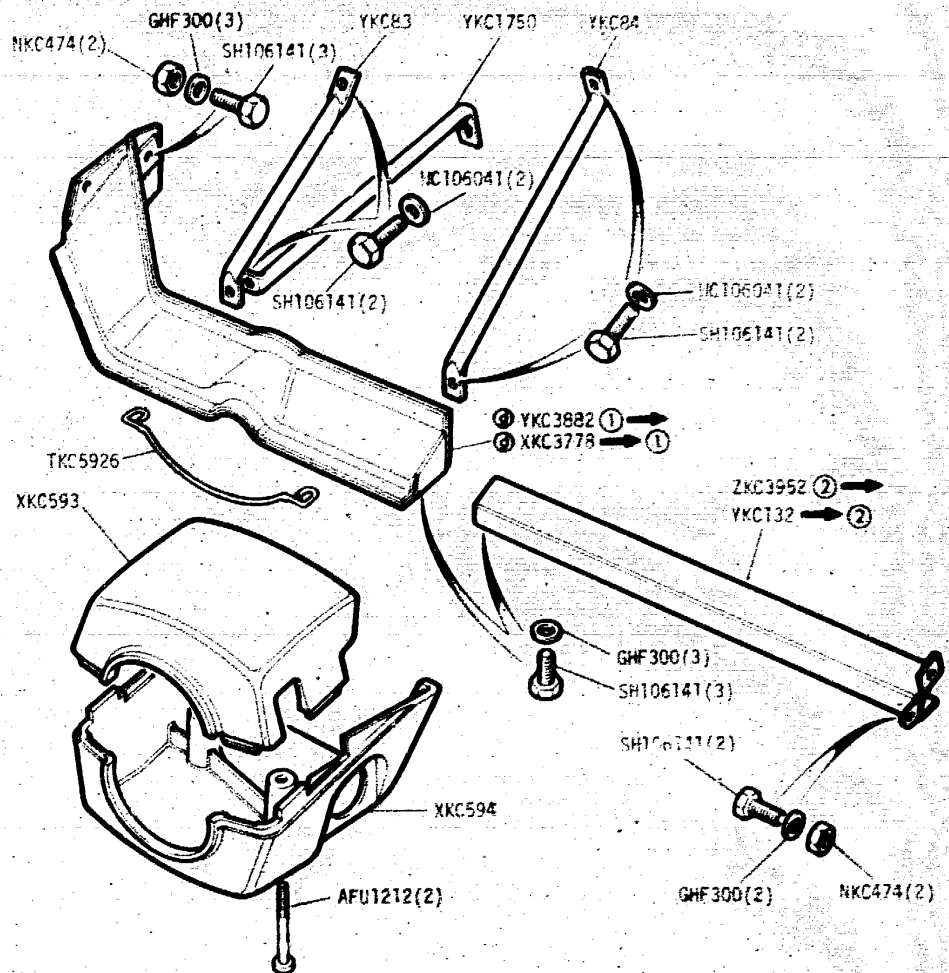


AAU4015



TR8 1G 06L VS2072

GROUP F
STEERING - Steering Column Macelles and Support Rail



- ① VIN No 402001
- ② VIN 402329

TR8 1G 06R 87127

GROUP INDEX

Introduction	1B 2B	Steering	1G
Engine	1C	Brakes and Brake Controls	1H
Flywheel and Clutch	1D	Fuel, Exhaust and Emission Systems	1I - J
Gearbox and Propshaft	1E	Cooling, Heating and Air Conditioning	1K
Axles, Suspension, Drive Shafts, Wheels	1F	Electrical, Washers-Wipers, Instruments	1L - M

Chassis, Subframes, Bodyshell, Fittings	2C
Fascia, Trim, Seats and Fixings	2D
Miscellaneous	2E
Numerical Index	2F

1G06