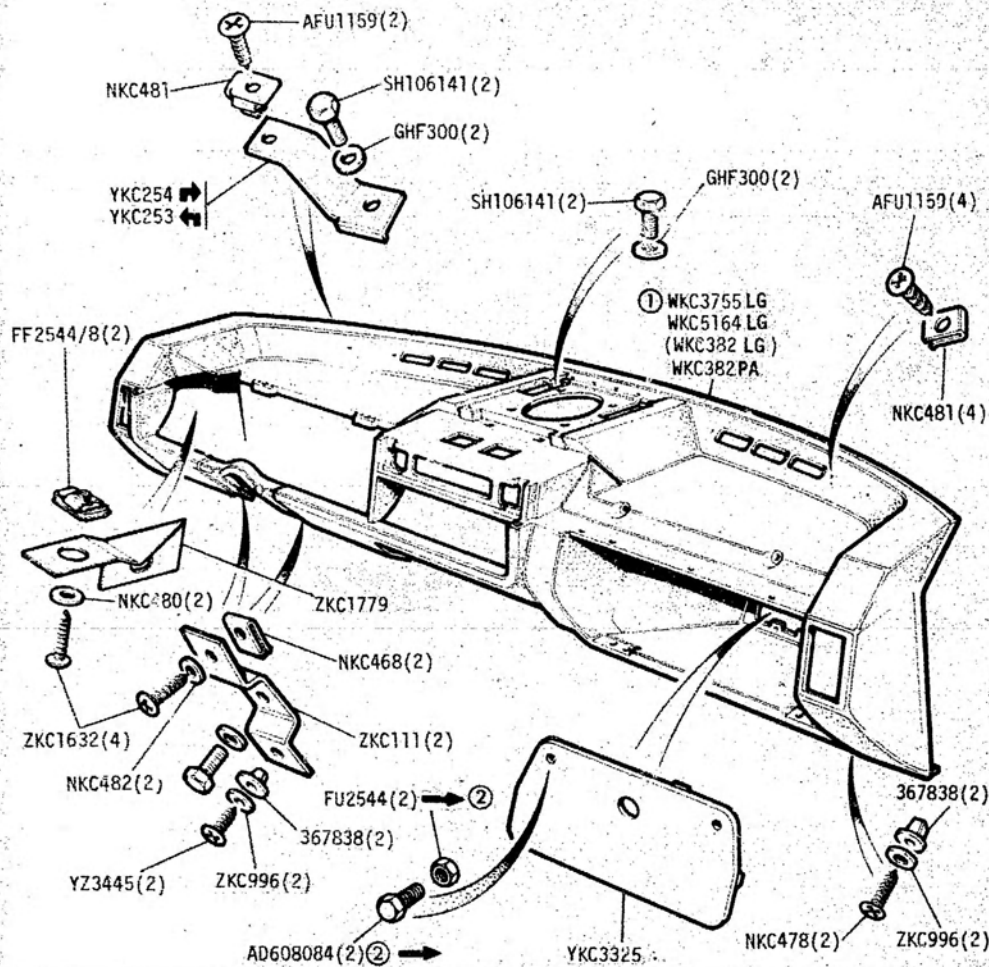


GROUP M
FACIA/TRIM/SEATS - Facia Base, Fuse Box Cover, Facia Support Brackets.



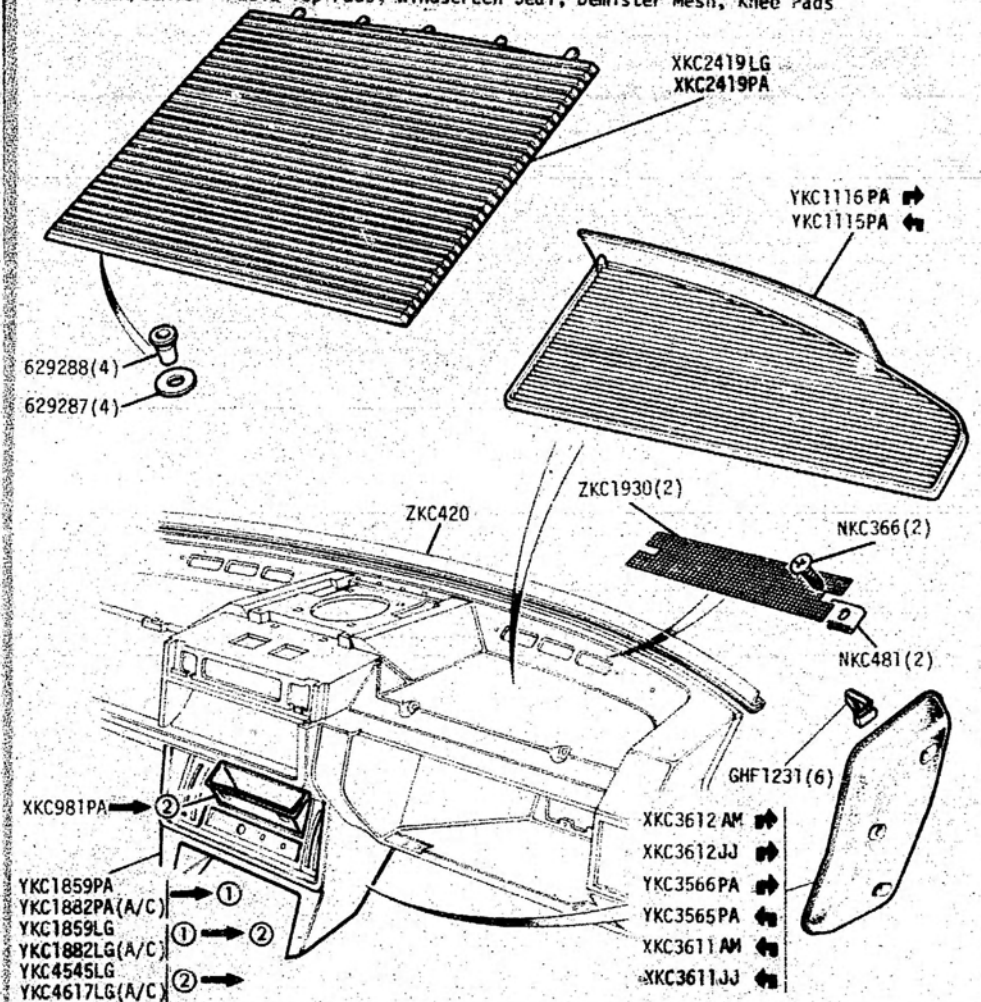
- ① PI. only
 - ② VIN 402001
- Trim Colour Identification Letters
 PA - Black
 LG - Grey

TR8

2D 02L

B7123

GROUP M
FACIA/TRIM/SEATS - Facia Top Pads, Windscreen Seal, Demister Mesh, Knee Pads



- ① VIN 200001
 - ② VIN 402001
- Trim Colour Identification Letters
 PA - Black
 LG - Grey
 AM - Golden Tan
 JJ - Navy Blue

TR8

2D 02R

B7124

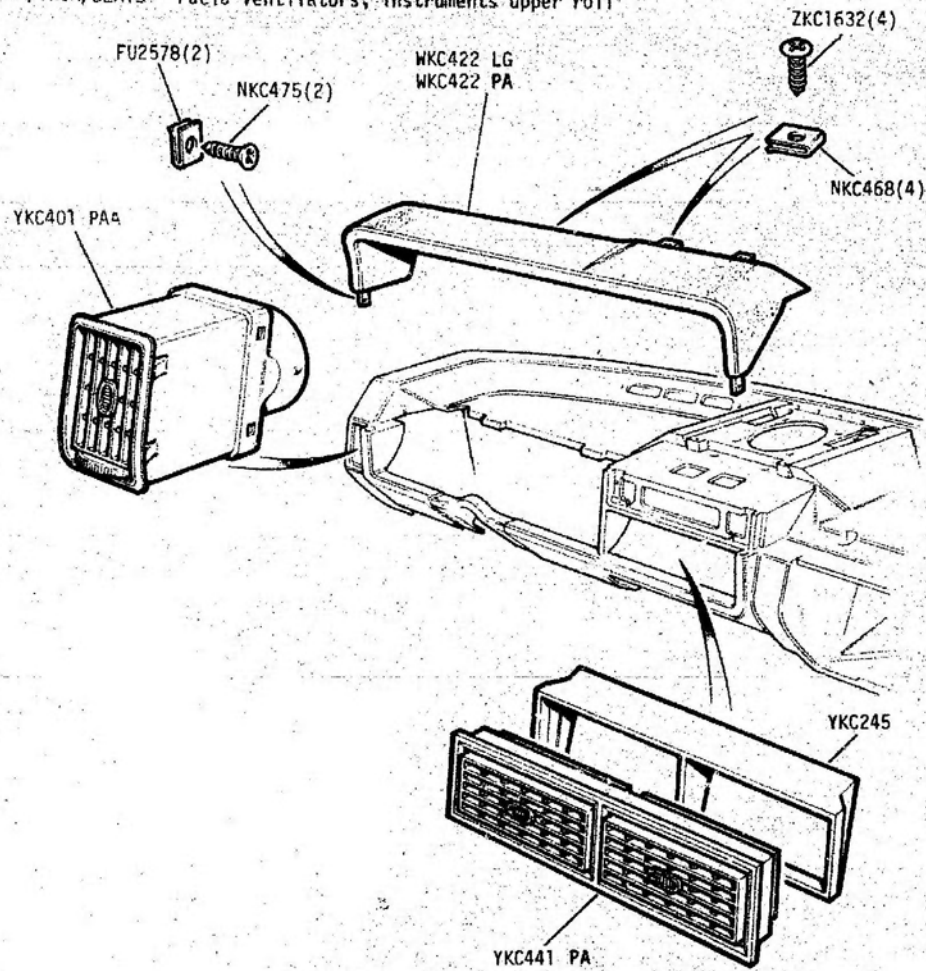
GROUP INDEX

| | | | |
|---|--------------|---|---------------|
| Introduction | 1B 2B | Steering | 1G |
| Engine | 1C | Brakes and Brake Controls | 1H |
| Flywheel and Clutch | 1D | Fuel, Exhaust and Emission Systems | 1I - J |
| Gearbox and Propshaft | 1E | Cooling, Heating and Air Conditioning | 1K |
| Axles, Suspension, Drive Shafts, Wheels | 1F | Electrical, Washers/Wipers, Instruments | 1L - M |

| | |
|---|-----------|
| Chassis, Subframes, Bodyshell, Fittings | 2C |
| Fascia, Trim, Seats and Fixings | 2D |
| Miscellaneous | 2E |
| Numerical Index | 2F |

2D02

GROUP M
FACIA/TRIM/SEATS - Facia Ventilators, instruments upper roll



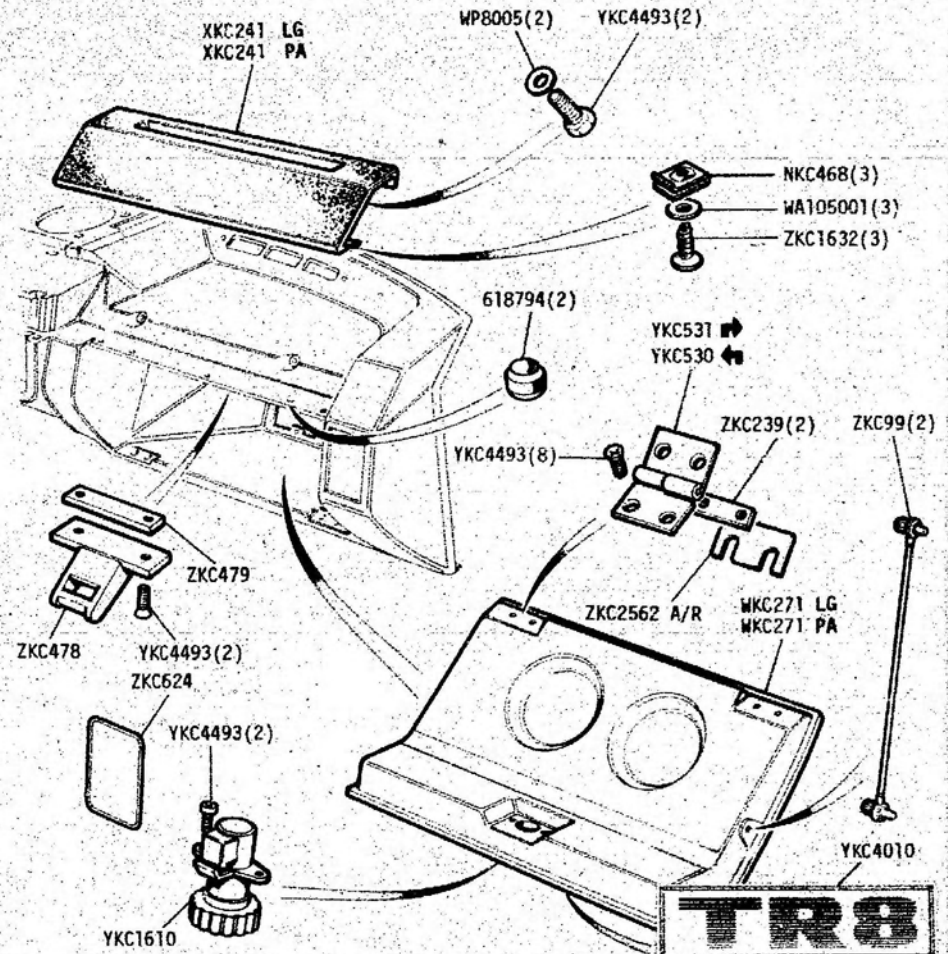
Trim Colour Identification Letters
 PA - Black
 LG - Grey

TR8

2D 03L

B7125

GROUP M
FACIA/TRIM/SEATS - Cubby box upper roll



Trim Colour Identification Letters
 PA-Black
 LG-Grey

TR8

2D 03R

B7126

GROUP INDEX

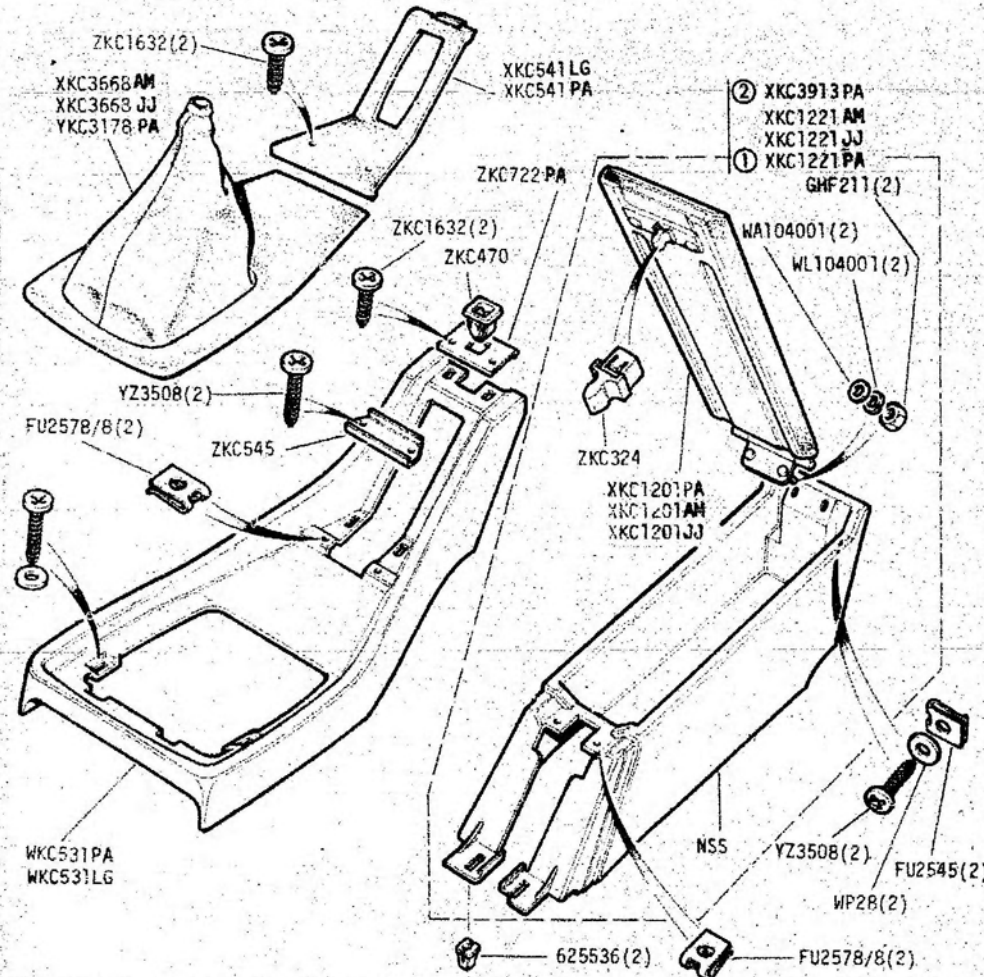
Introduction **1B 2B**
 Engine **1C**
 Flywheel and Clutch **1D**
 Gearbox and Propshaft **1E**
 Axles, Suspension, Drive Shafts, Wheels **1F**

Steering **1G**
 Brakes and Brake Controls **1H**
 Fuel, Exhaust and Emission Systems **1I-J**
 Cooling, Heating and Air Conditioning **1K**
 Electrical, Washers-Wipers, Instruments **1L-M**

Chassis, Subframes, Bodyshell, Fittings **2C**
 Fascia, Trim, Seats and Fixings **2D**
 Miscellaneous **2E**
 Numerical Index **2F**

2D03

GROUP M
FACIA/TRIM/SEATS - Centre Console and Armrest (Manual Gearbox)



Trim Colour Identification Letters
 PA -Black
 LG -Grey
 AM -Golden Tan
 JJ -Navy Blue

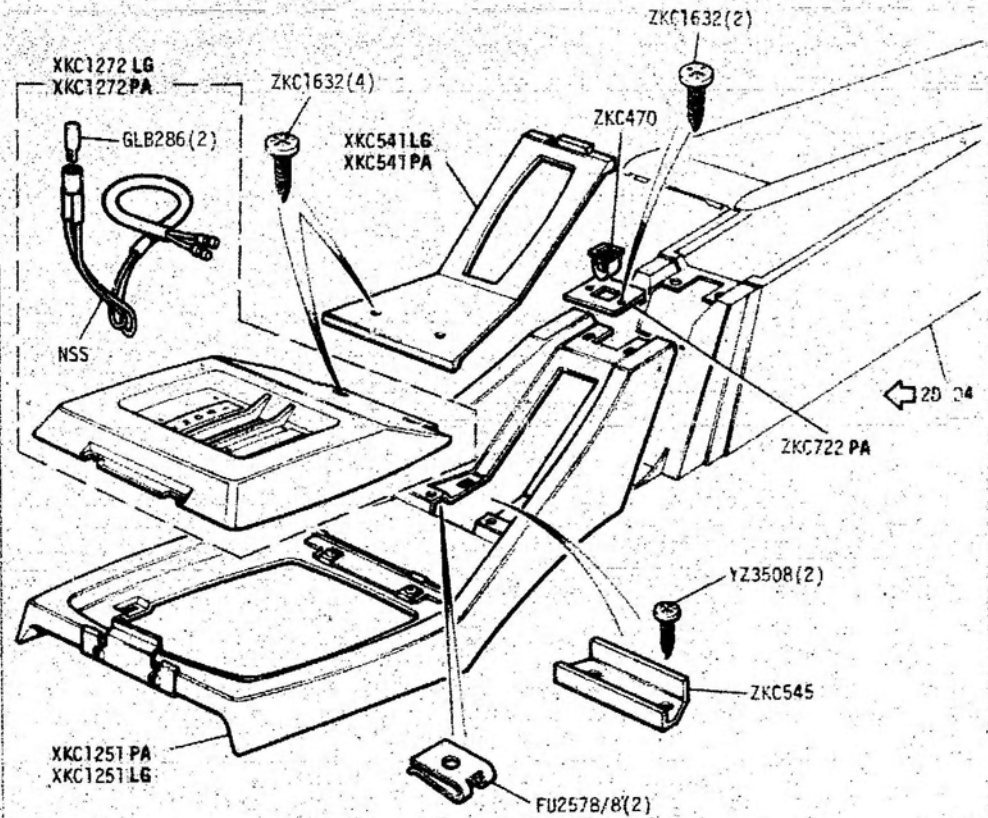
① Black Moulding
 ② Grey Moulding

TR8

2D 04L

B7128

GROUP M
FACIA/TRIM/SEATS - Centre console and armrest (automatic gearbox)



Trim Colour Identification Letters
 PA -Black
 LG -Grey

TR8

2D 04R

B7129

GROUP INDEX

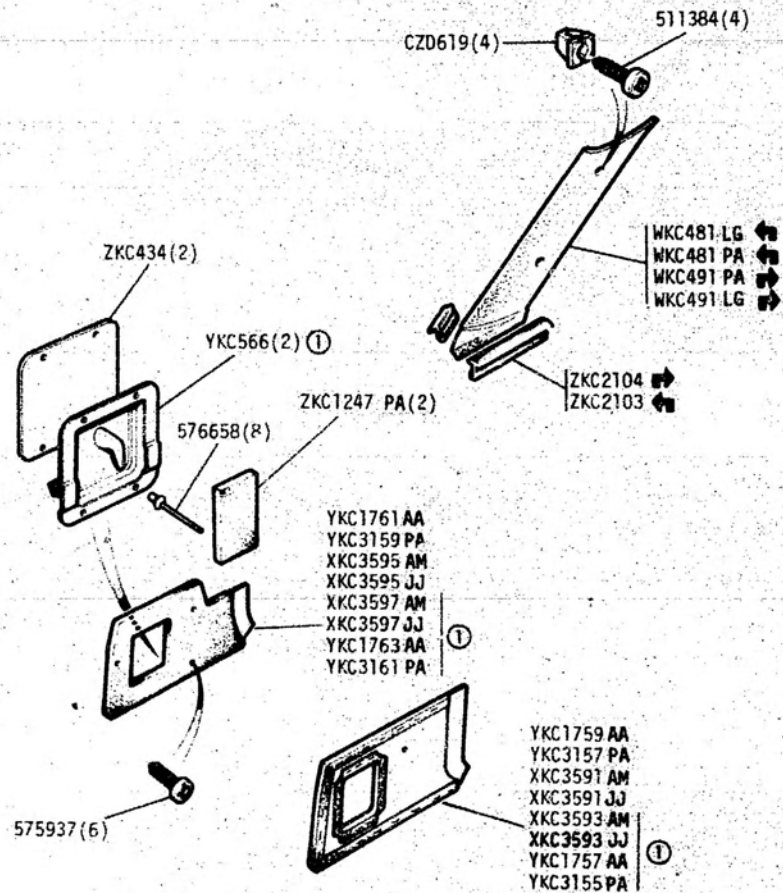
Introduction **1B 2B**
 Engine **1C**
 Flywheel and Clutch **1D**
 Gearbox and Propshaft **1E**
 Axles, Suspension, Drive Shafts, Wheels **1F**

Steering **1G**
 Brakes and Brake Controls **1H**
 Fuel, Exhaust and Emission Systems **1I - J**
 Cooling, Heating and Air Conditioning **1K**
 Electrical, Washers/Wipers, Instruments **1L - 1M**

Chassis, Subframes, Bodyshell, Fittings **2C**
 Facia, Trim, Seats and Fixings **2D**
 Miscellaneous **2E**
 Numerical Index **2F**

2D04

GROUP M
FACIA/TRIM/SEATS - 'A' Post Ventilator



① USA Vehicles with heater

Trim Colour Identification Letters

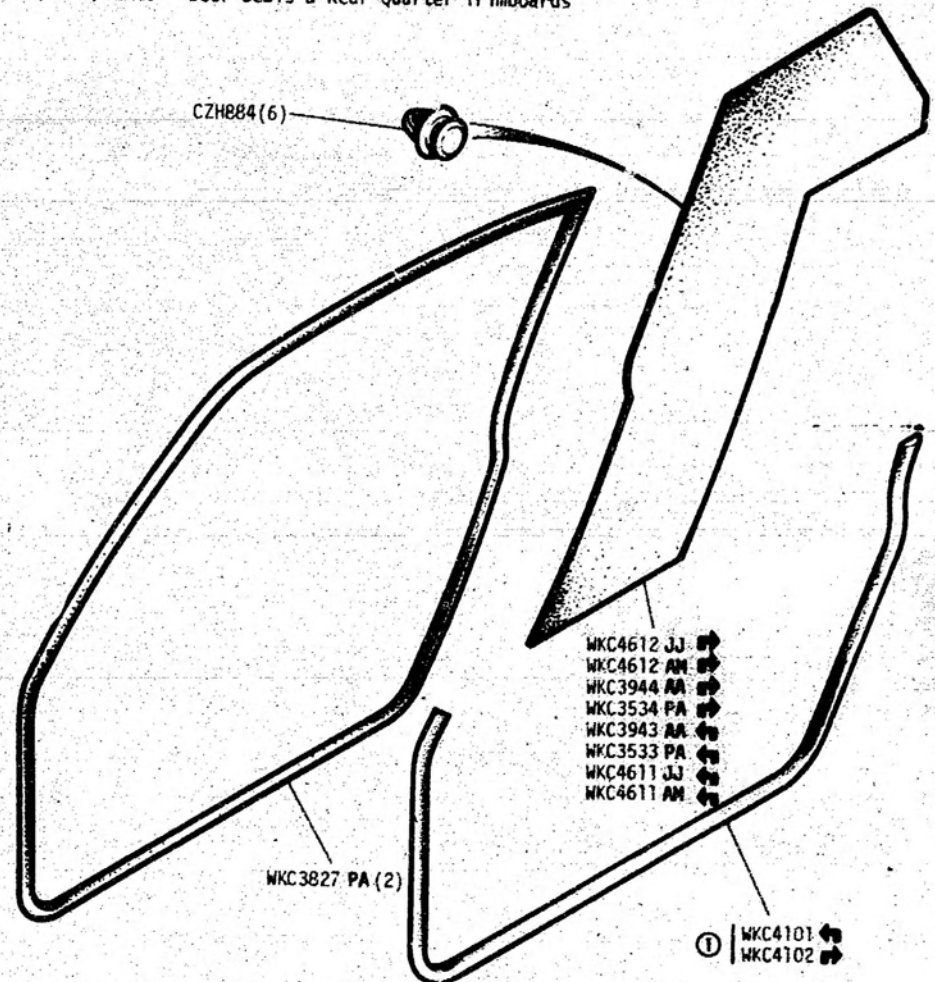
AA - Beige
PA - Black
LG - Grey
AM - Golden Tan
JJ - Navy Blue

TR8

2D 05L

VS1420

GROUP M
FACIA/TRIM/SEATS - Door Seals & Rear Quarter Trimboards



① Convertible

Trim Colour Identification Letters

AA - Beige
PA - Black
JJ - Navy Blue
AM - Golden Tan

TR8

2D 05R

VS1419

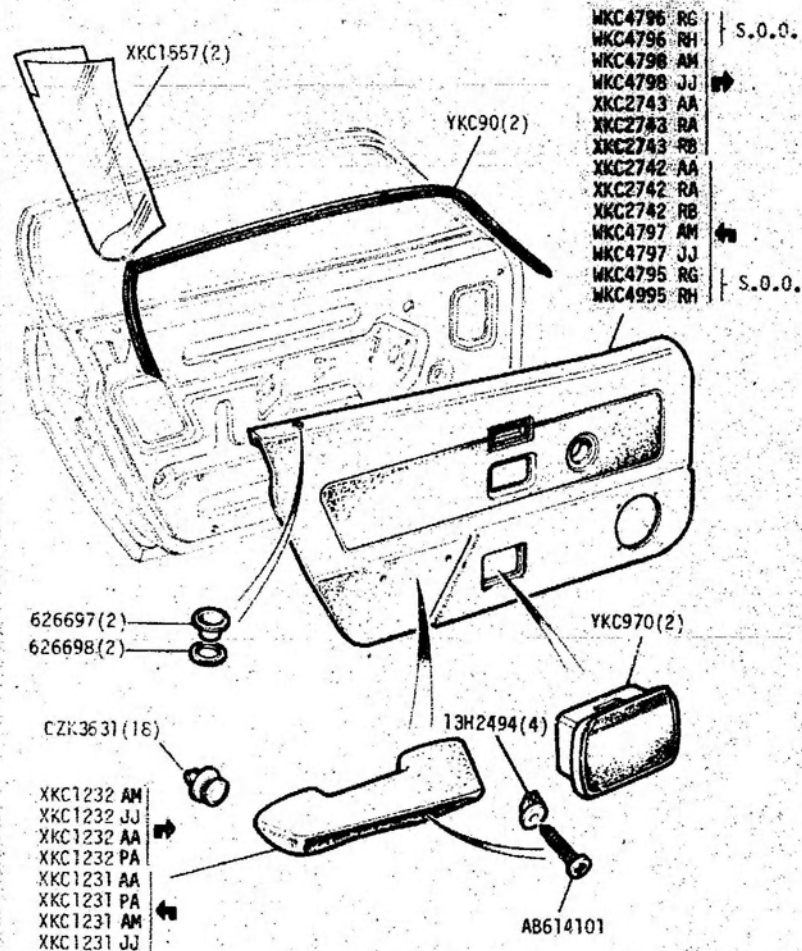
GROUP INDEX

| | | | | | |
|---|--------------|---|-------------|---|-----------|
| Introduction | 1B 2B | Steering | 1G | Chassis, Subframes, Bodyshell, Fittings | 2C |
| Engine | 1C | Brakes and Brake Controls | 1H | Fascia, Trim, Seats and Fixings | 2D |
| Flywheel and Clutch | 1D | Fuel, Exhaust and Emission Systems | 1I-J | Miscellaneous | 2E |
| Gearbox and Propshaft | 1E | Cooling, Heating and Air Conditioning | 1K | Numerical Index | 2F |
| Axles, Suspension, Drive Shafts, Wheels | 1F | Electrical, Washers/Wipers, Instruments | 1L-M | | |

2D05

GROUP M

FACIA/TRIM/SEATS - Door Trimpad, Armrest, Ashtray, Door Speaker → VIN 402001



Trim colour identification letters

- AA - Beige
- PA - Black
- RA - Red and Black
- RB - Green and Black
- AM - Golden Tan
- JJ - Navy Blue
- RG - Golden Tan Check
- RH - Navy Blue Check

TR8

2D 06L

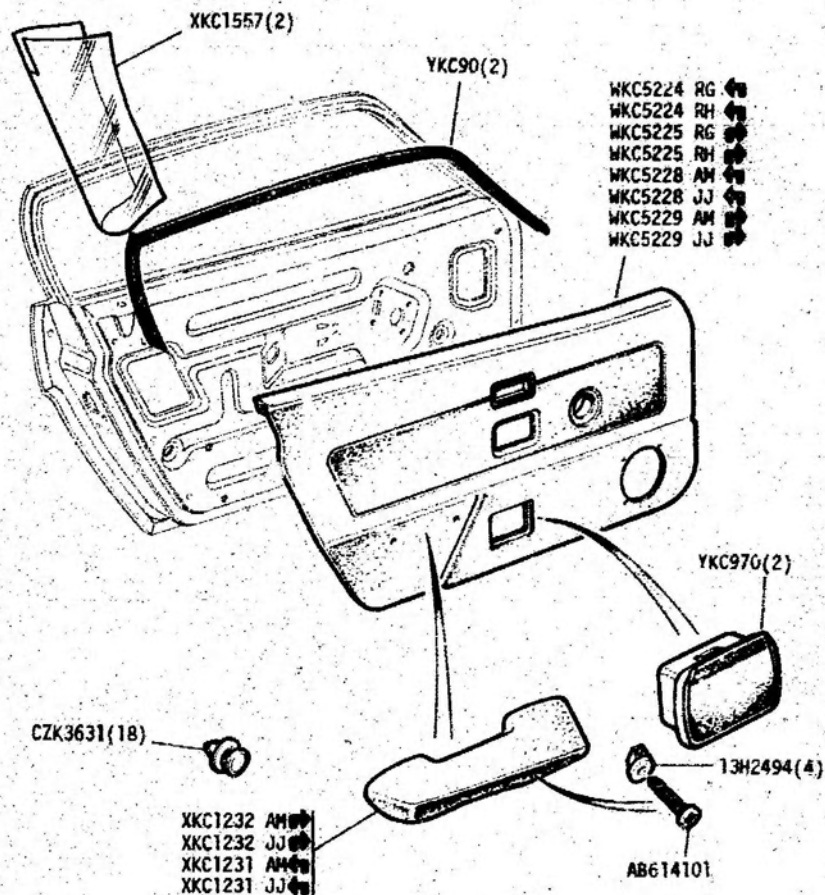
87134

GROUP INDEX

| | | | |
|---|--------------|---|---------------|
| Introduction | 1B 2B | Steering | 1G |
| Engine | 1C | Brakes and Brake Controls | 1H |
| Flywheel and Clutch | 1D | Fuel, Exhaust and Emission Systems | 1I - J |
| Gearbox and Propshaft | 1E | Cooling, Heating and Air Conditioning | 1K |
| Axles, Suspension, Drive Shafts, Wheels | 1F | Electrical, Washers/Wipers, Instruments | 1L - M |

GROUP H

FACIA/TRIM/SEATS - Door Trimpad, Armrest, Ashtray, Door Speaker VIN402001 →



Trim colour identification letters

- AM - Golden Tan
- JJ - Navy Blue
- RG - Golden Tan Check
- RH - Navy Blue Check

TR8

2D 06R

87134

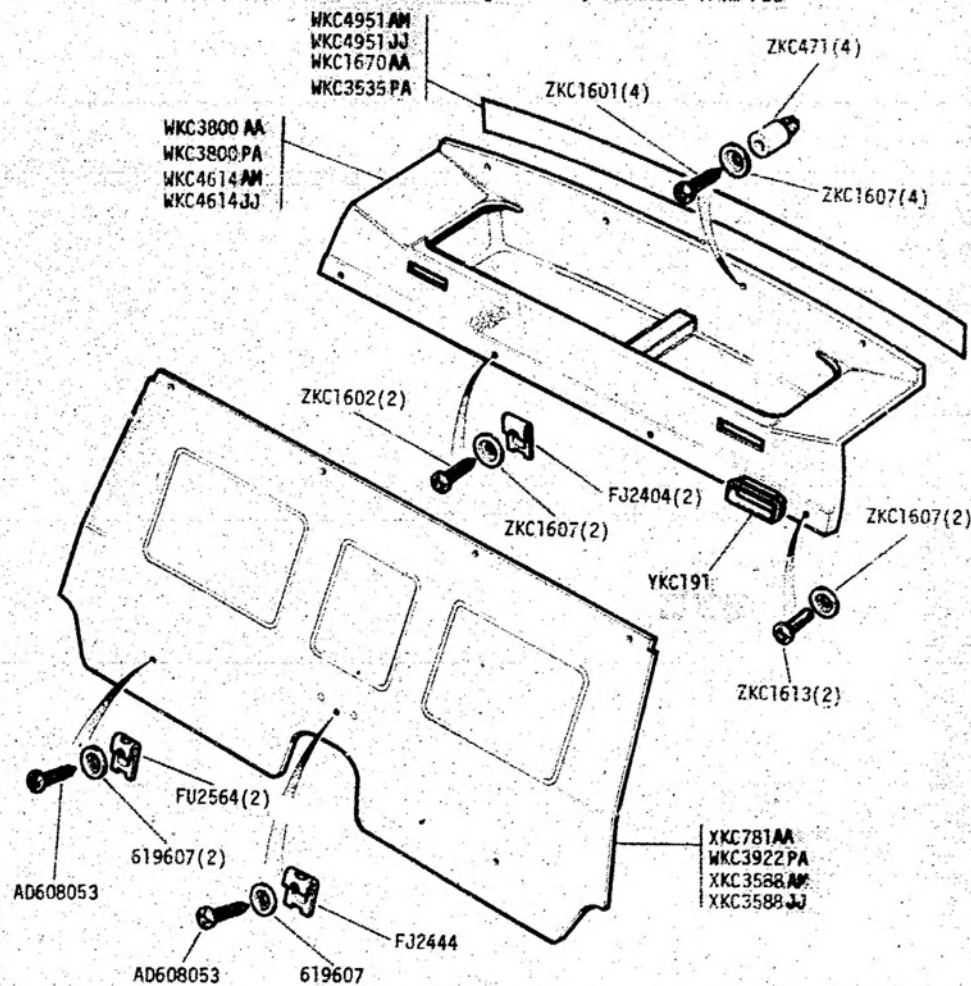
2D06

'NO ILLUSTRATION'

2D 07L

GROUP H

FASCIA/TRIM/SEATS - Rear Parcel Shelf, Backlight Cover, Bulkhead Trim Pad



Trim colour identification letters
 AA - Beige
 PA - Black
 AM - Golden Tan
 JJ - Navy Blue

TR8

2D 07R

B7135

GROUP INDEX

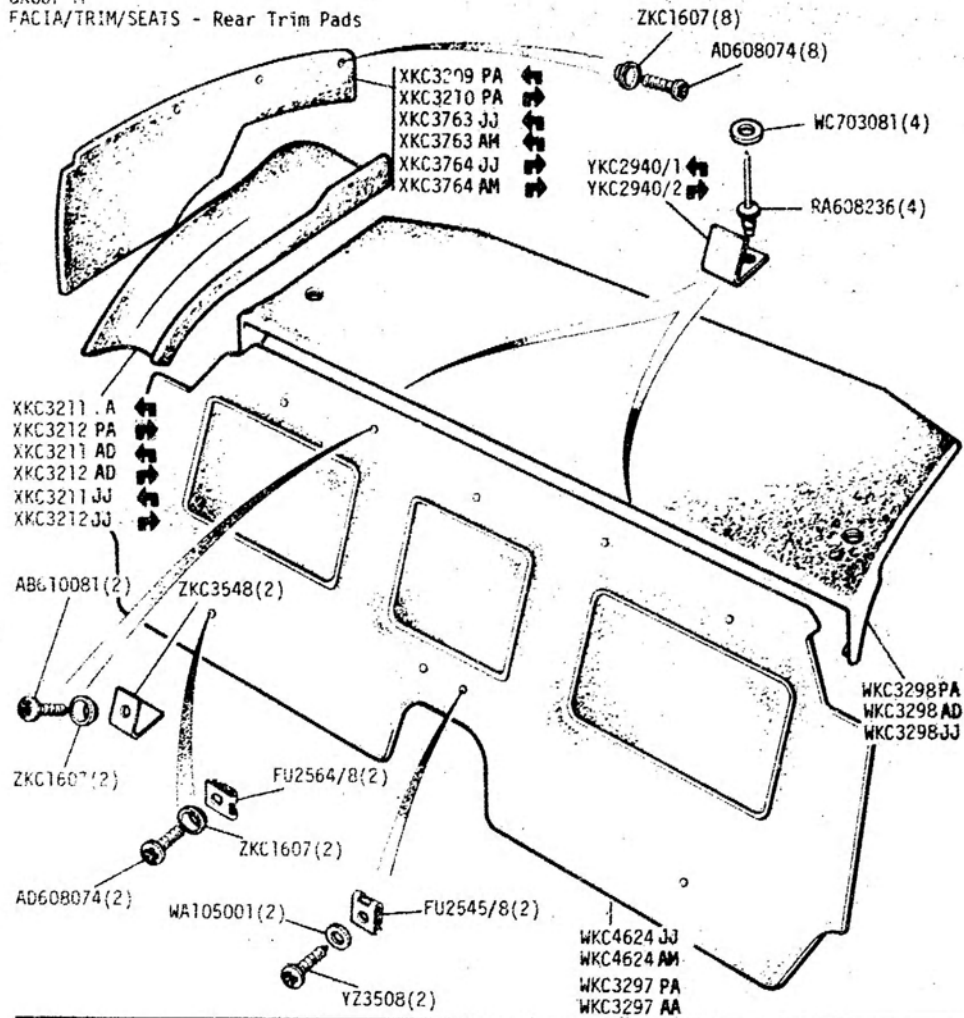
Introduction **1B 2B**
 Engine **1C**
 Flywheel and Clutch **1D**
 Gearbox and Propshaft **1E**
 Axles, Suspension, Drive Shafts, Wheels **1F**

Steering **1G**
 Brakes and Brake Controls **1H**
 Fuel, Exhaust and Emission Systems **1I - J**
 Cooling, Heating and Air Conditioning **1K**
 Electrical, Washers/Wipers, Instruments **1L - M**

Chassis, Subframes, Bodyshell, Fittings **2C**
 Fascia, Trim, Seats and Fixings **2D**
 Miscellaneous **2E**
 Numerical Index **2F**

2D07

GROUP M
FACIA/TRIM/SEATS - Rear Trim Pads



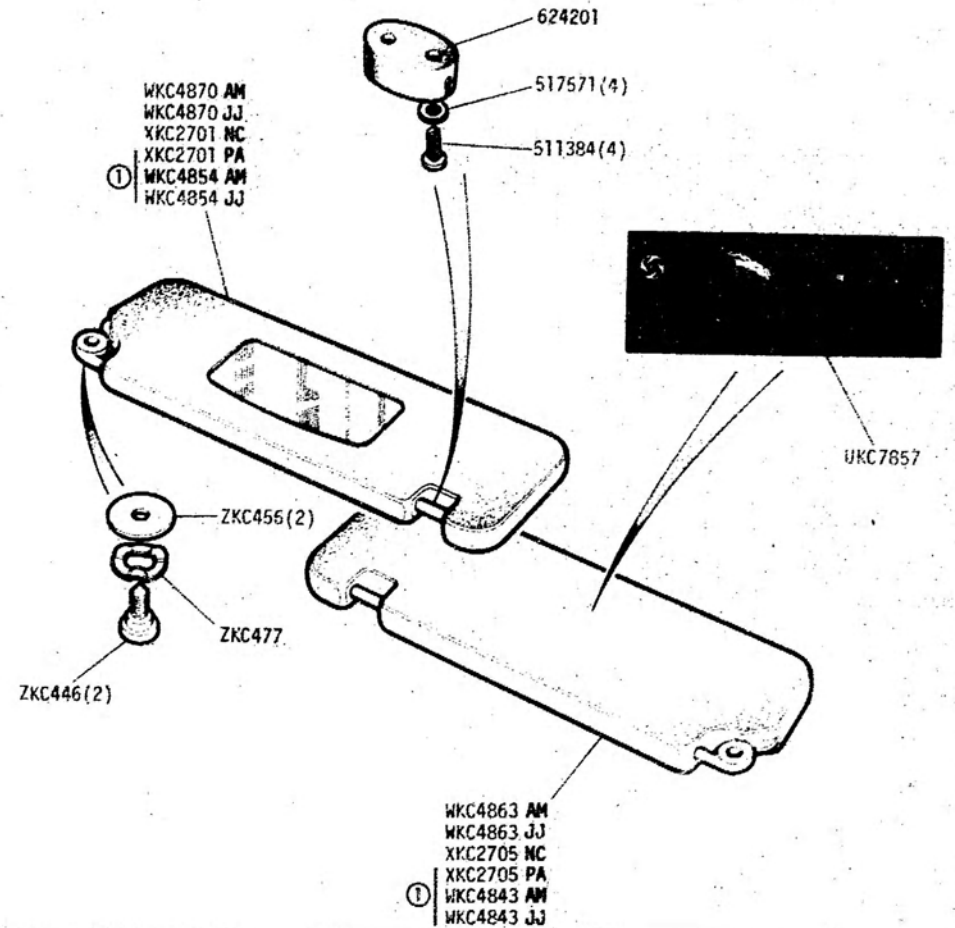
PA - Black
AA - Chestnut
JJ - Navy Blue

TRB CONVERTIBLE

2D 08L

B7218

GROUP M
FACIA/TRIM/SEATS - Sun Visors



① Convertible

Trim Colour Identification Letters
PA - Black
NC - Sebring White
AM - Golden Tan
JJ - Navy Blue

TR8

2D 08R

B7130

GROUP INDEX

Introduction **1B 2B**
Engine **1C**
Flywheel and Clutch **1D**
Gearbox and Propshaft **1E**
Axles, Suspension, Drive Shafts, Wheels **1F**

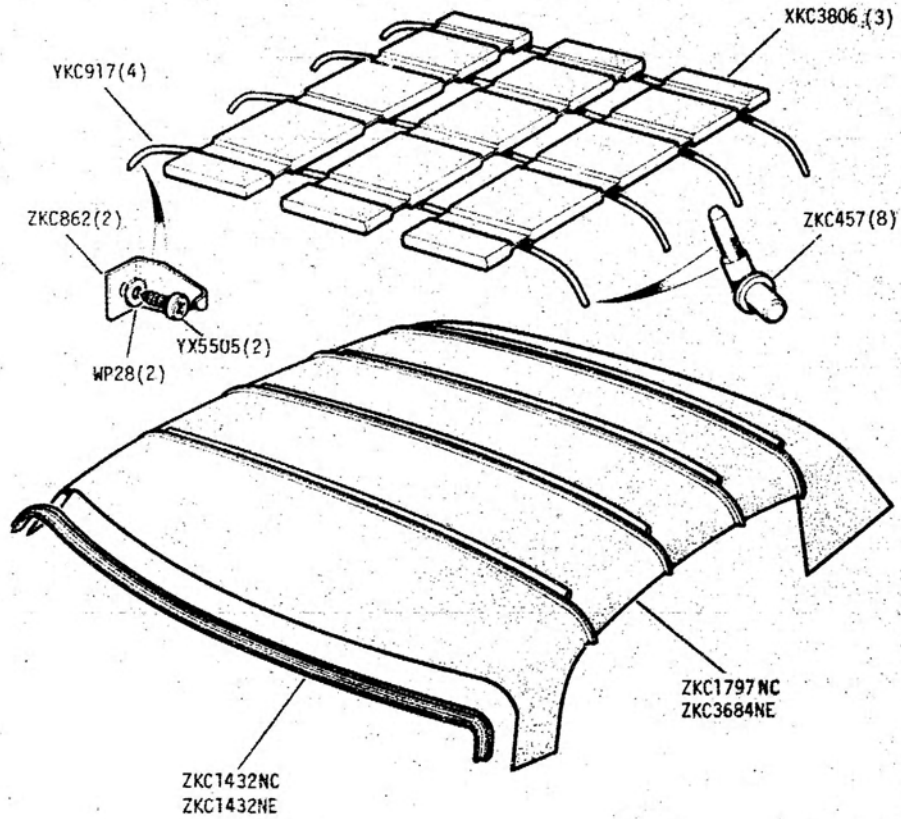
Steering **1G**
Brakes and Brake Controls **1H**
Fuel, Exhaust and Emission Systems **1I - J**
Cooling, Heating and Air Conditioning **1K**
Electrical, Washers-Wipers, Instruments **1L-2A**

Chassis, Subframes, Bodyshell, Fittings **2C**
Fascia, Trim, Seats and Fixings **2D**
Miscellaneous **2E**
Numerical Index **2F**

2D08

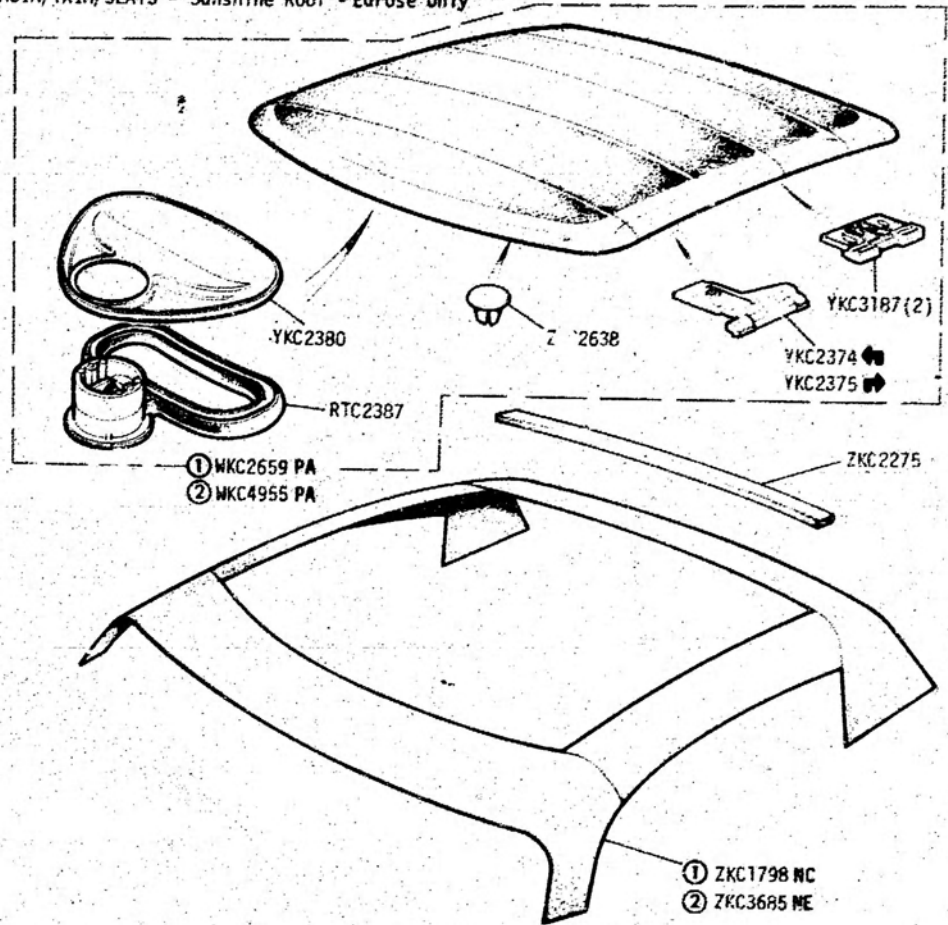
GROUP M

FACIA/TRIM/SEATS - Headlining, Roof Insulation, Listing Rails



GROUP M

FACIA/TRIM/SEATS - Sunshine Roof - Edrose Only



Trim Colour Identification Letters
 NC - Sebring White
 NE - Off White

Trim Colour Identification Letters
 PA - Black
 ① NC - Sebring White
 ② NE - Off White

TR8

2D 09L

87131

TR8

2D 09R

V51422

GROUP INDEX

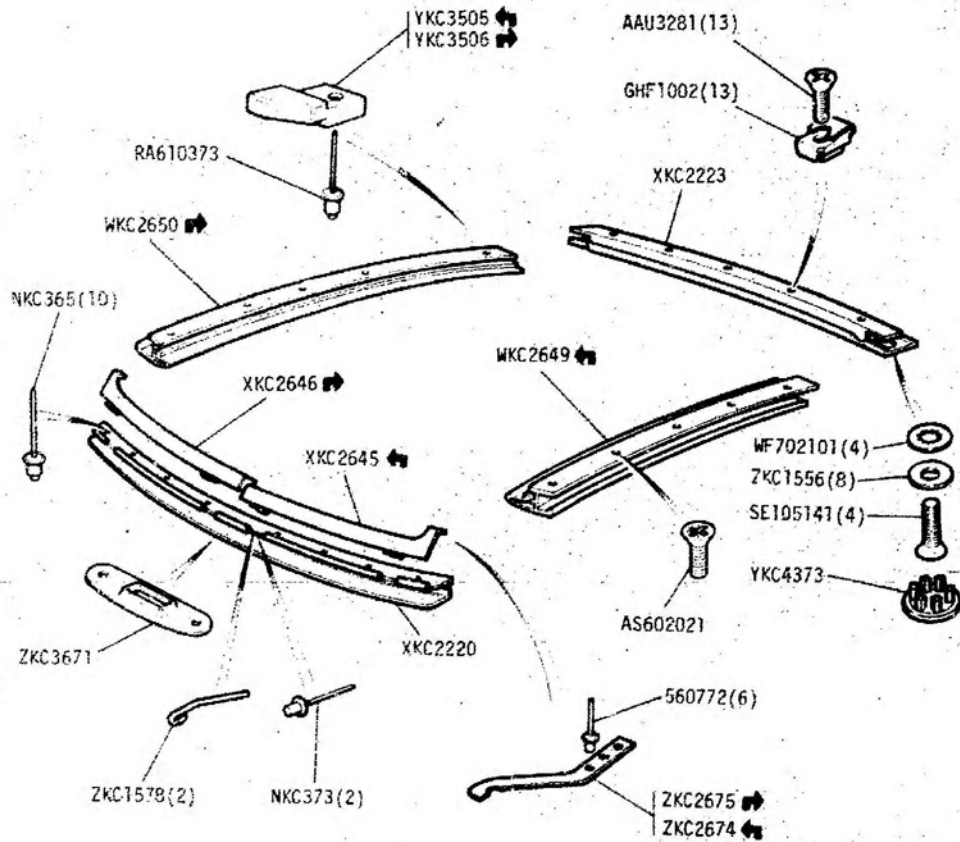
Introduction **1B 2B**
 Engine **1C**
 Flywheel and Clutch **1D**
 Gearbox and Propshaft **1E**
 Axles, Suspension, Drive Shafts, Wheels **1F**

Steering **1G**
 Brakes and Brake Controls **1H**
 Fuel, Exhaust and Emission Systems **1J - J**
 Cooling, Heating and Air Conditioning **1K**
 Electrical, Washers/Wipers, Instruments **1L - LL**

Chassis, Subframes, Bodyshell, Fittings **2C**
 Fascia, Trim, Seats and Fixings **2D**
 Miscellaneous **2E**
 Numerical Index **2F**

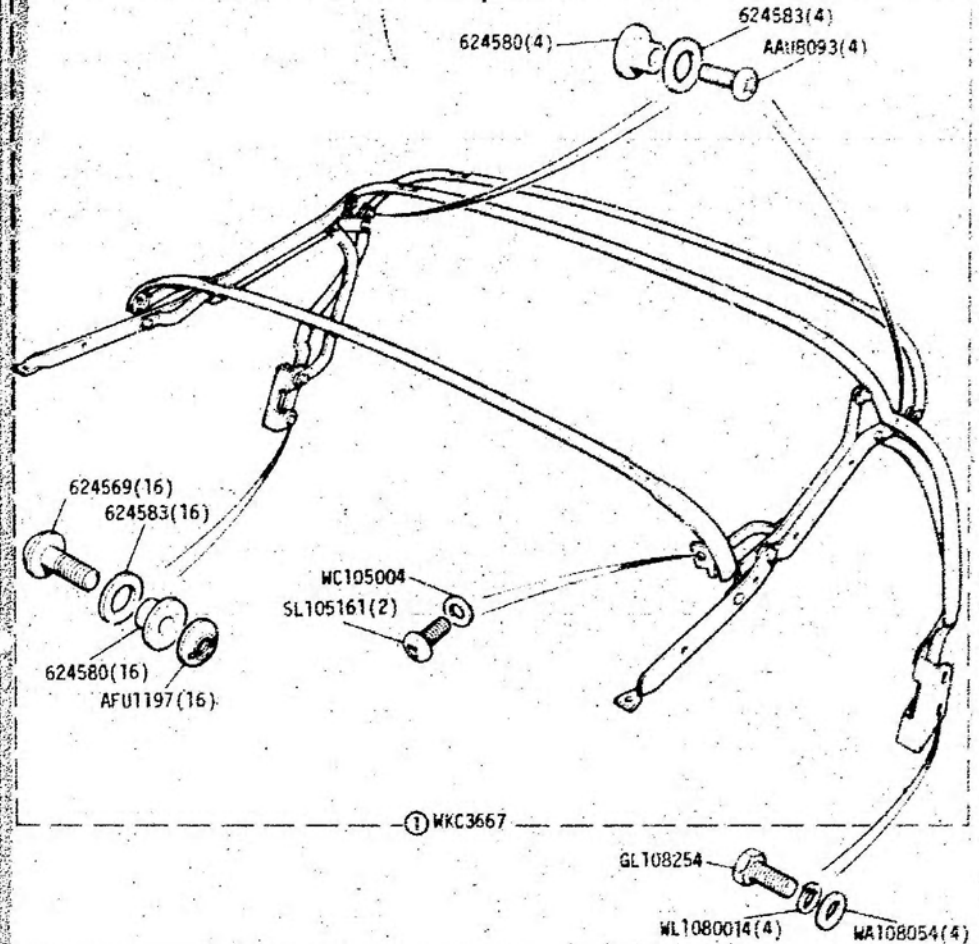
2D09

GROUP M
FASCIA/TRIM/SEATS - Sunshine Roof Channels Edrose Only



TR8 2D 10 VS1421

GROUP M
FASCIA/TRIM/SEATS - Hood Frame Assembly



① Part of WKC3665

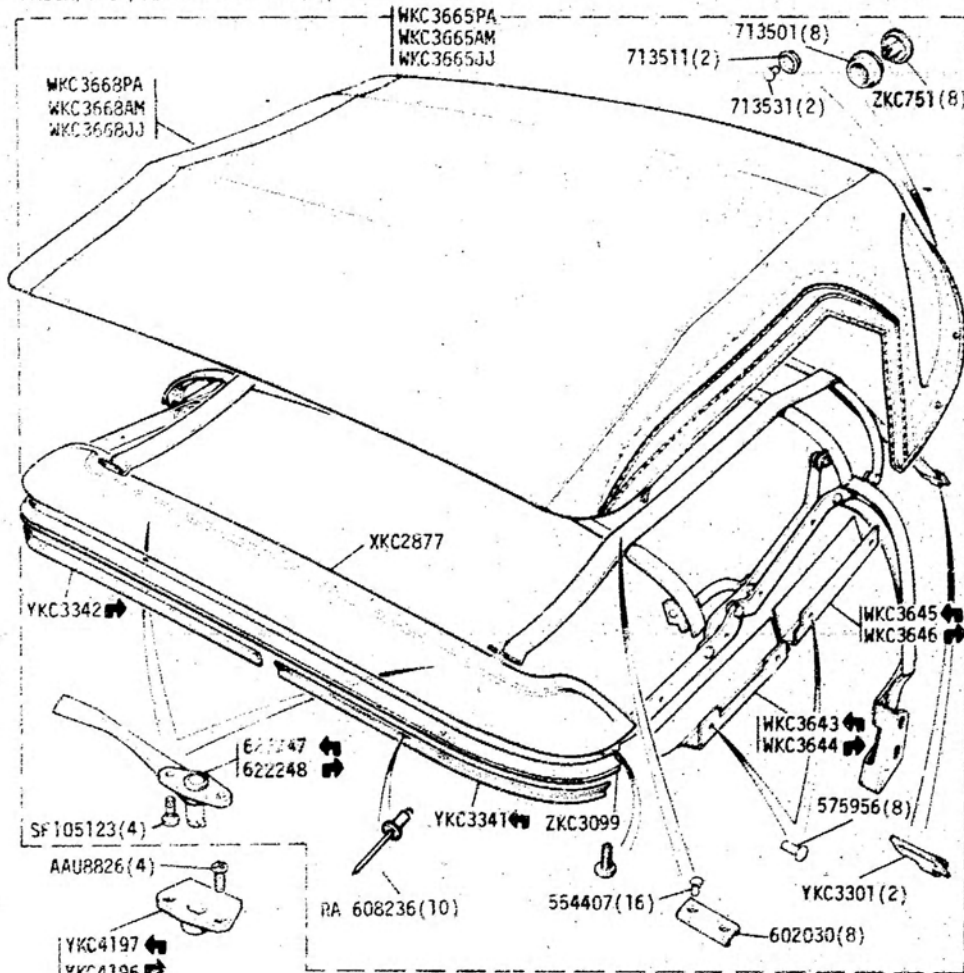
TR8 CONVERTIBLE 2D 10 B.7205

GROUP INDEX

| | | | | | |
|---|--------------|---|---------------|---|-----------|
| Introduction | 1B 2B | Steering | 1G | Chassis, Subframes, Bodyshell, Fittings | 2C |
| Engine | 1C | Brakes and Brake Controls | 1H | Fascia, Trim, Seats and Fixings | 2D |
| Flywheel and Clutch | 1D | Fuel, Exhaust and Emission Systems | 1I - J | Miscellaneous | 2E |
| Gearbox and Propshaft | 1E | Cooling, Heating and Air Conditioning | 1K | Numerical Index | 2F |
| Axles, Suspension, Drive Shafts, Wheels | 1F | Electrical, Washers/Wipers, Instruments | 1L - M | | |

2D10

GROUP M
FACIA/TRIM/SEATS - Soft Top (Convertible)



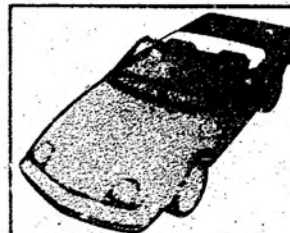
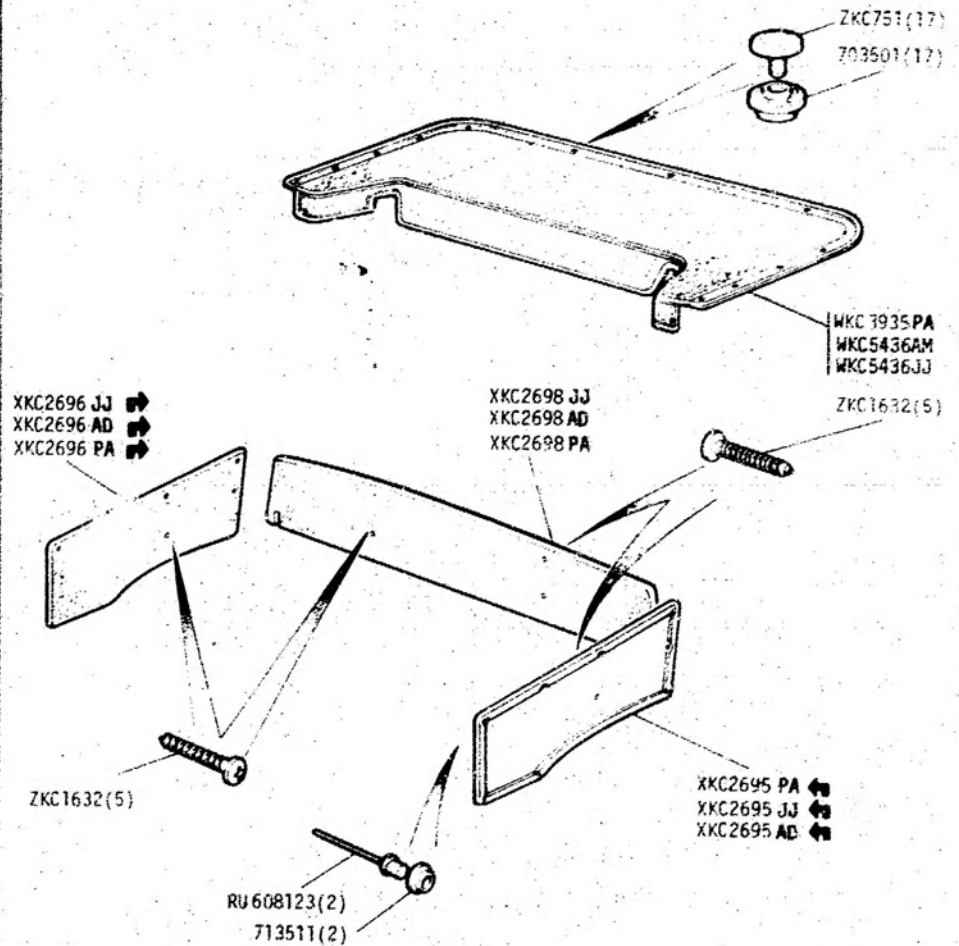
Colour Identification Code
PA - Black
AD - Chestnut
AM - Golden Tan
JJ - Navy Blue

TR8 CONVERTIBLE

2D 11L

B7222

GROUP M
FACIA/TRIM/SEATS - Hood Stowage



TR8 CONVERTIBLE USA

2D 11R

B7206

PA Black
AD Chestnut
JJ Navy Blue
AM Golden Tan

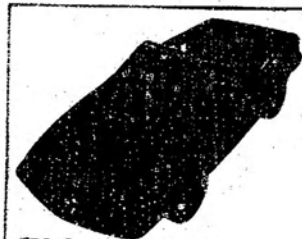
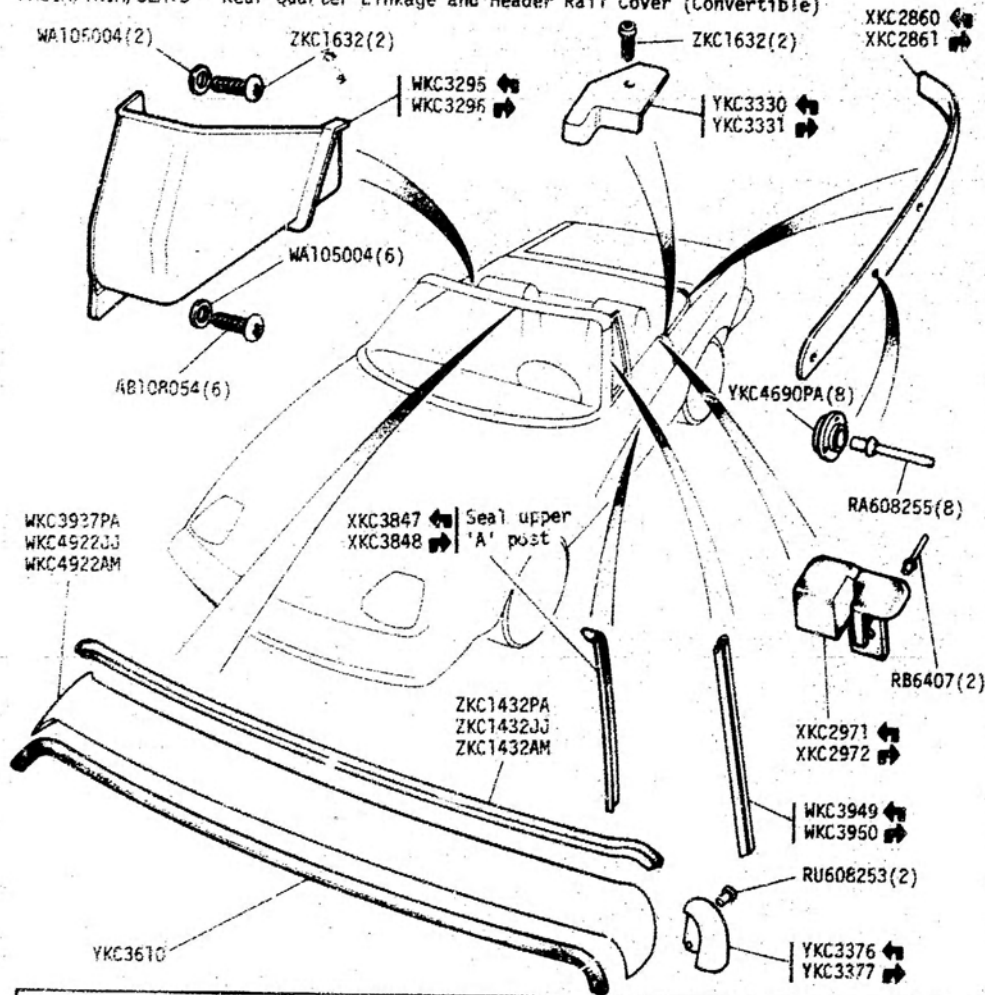
GROUP INDEX

| | | | |
|---|--------------|---|---------------|
| Introduction | 1B 2B | Steering | 1G |
| Engine | 1C | Brakes and Brake Controls | 1H |
| Flywheel and Clutch | 1D | Fuel, Exhaust and Emission Systems | 1I - J |
| Gearbox and Propshaft | 1E | Cooling, Heating and Air Conditioning | 1K |
| Axles, Suspension, Drive Shafts, Wheels | 1F | Electrical, Washers/Wipers, Instruments | 1L - M |

| | |
|--|-----------|
| Chassis, Subframes, Bodysell, Fittings | 2C |
| Fascia, Trim, Seats and Fixings | 2D |
| Miscellaneous | 2E |
| Numerical Index | 2F |

2D11

GROUP M
FACIA/TRIM/SEATS - Rear Quarter Linkage and Header Rail Cover (Convertible)



TR8 Convertible USA

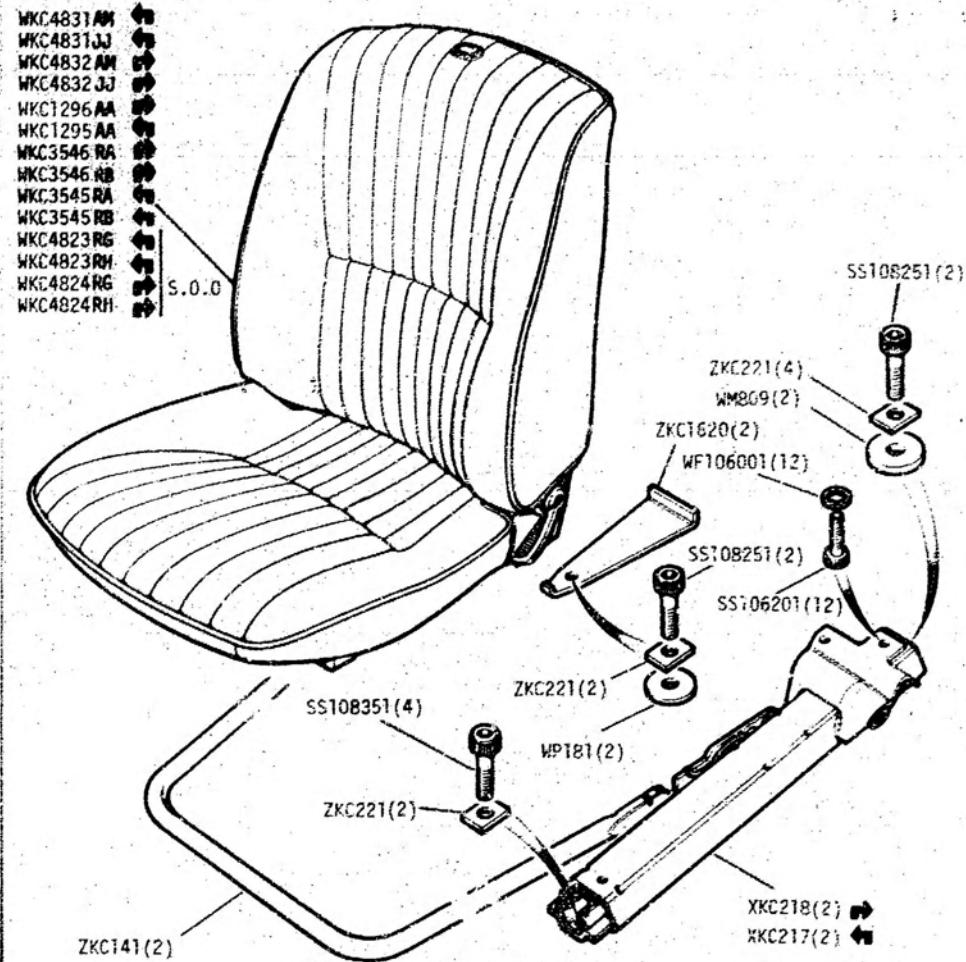
2D 12L

B7207

Colour Identification Letters

PA - Black
 JJ - Navy Blue
 AA - Golden Tan

GROUP N
FACIA/TRIM/SEATS - Seat Assembly, Seat Slides, Head Restraint



Trim colour identification letters

AA - Beige
 RA - Red and Black
 RB - Green and Black
 AM - Golden Tan
 JJ - Navy Blue
 RG - Golden Tan Check
 RH - Navy Blue Check

TR8 2D 12R B7139

GROUP INDEX

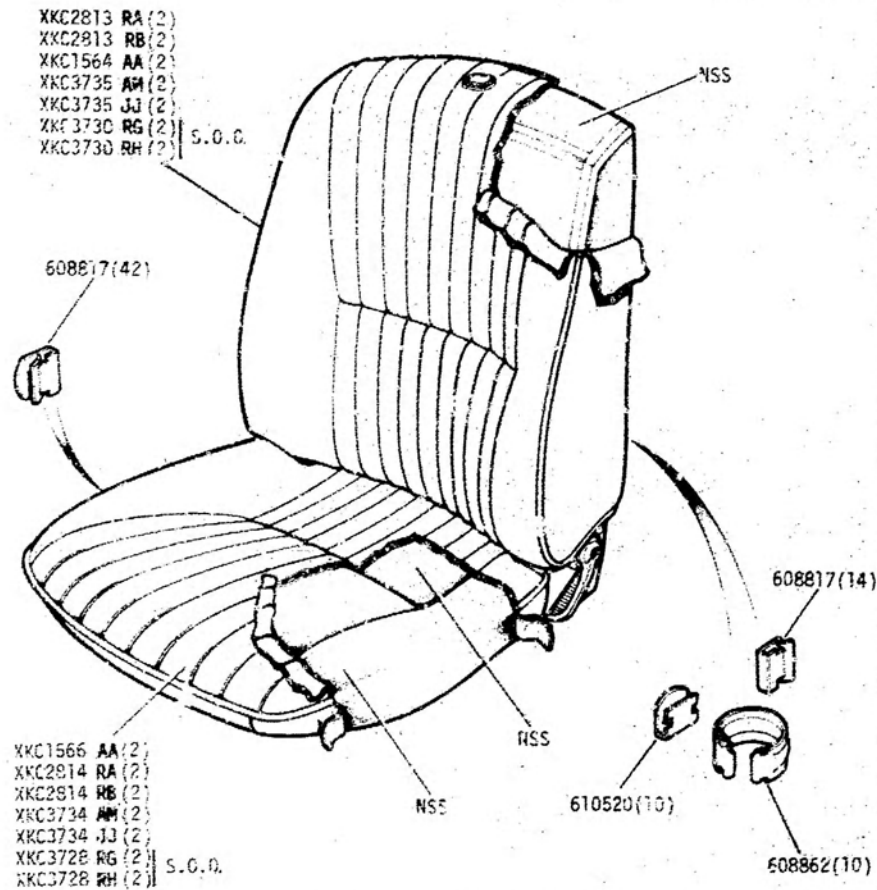
Introduction **1B 2B**
 Engine **1C**
 Flywheel and Clutch **1D**
 Gearbox and Propshaft **1E**
 Axles, Suspension, Drive Shafts, Wheels **1F**

Steering **1G**
 Brakes and Brake Controls **1H**
 Fuel, Exhaust and Emission Systems **1I - J**
 Cooling, Heating and Air Conditioning **1K**
 Electrical, Washers/Wipers, Instruments **1L - M**

Chassis, Subframes, Bodyshell, Fittings **2C**
 Facia, Trim, Seats and Fixings **2D**
 Miscellaneous **2E**
 Numerical Index **2F**

2D12

GROUP M
FASCIA/TRIM/SEATS - Seat Covers, Scwab and Cushion Rolls



CD31801 RB Nylon
CD31802 RA Material
CD31804 AA

Trim colour identification letters

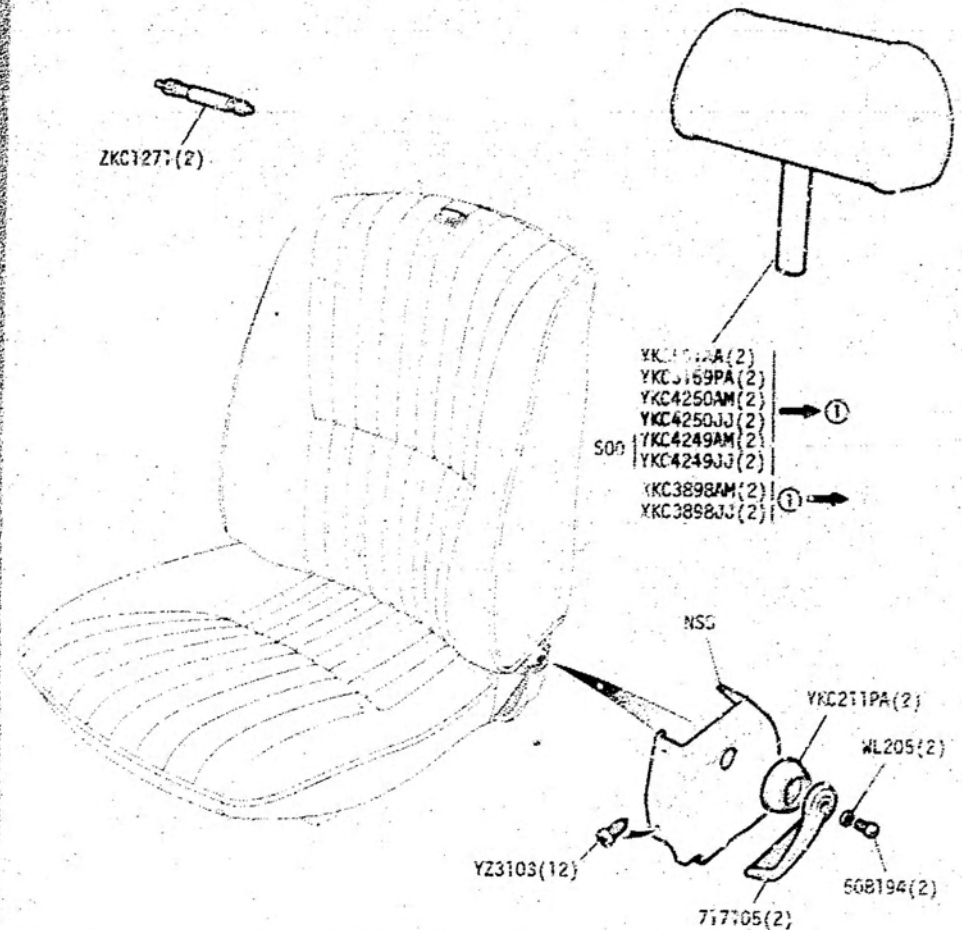
AA - Beige
RA - Red and Black
RB - Green and Black
AM - Golden Tan
JJ - Navy Blue
RG - Golden Tan Check
RH - Navy Blue Check

TR8

2D 13L

B7141

GROUP M
FASCIA/TRIM/SEATS Seat Operating Handle Headrests



① VIN 402001

Trim colour identification letters

AA Beige
AM Golden Tan
JJ Navy Blue
PA Black

TR8

2D 13R

VS2088

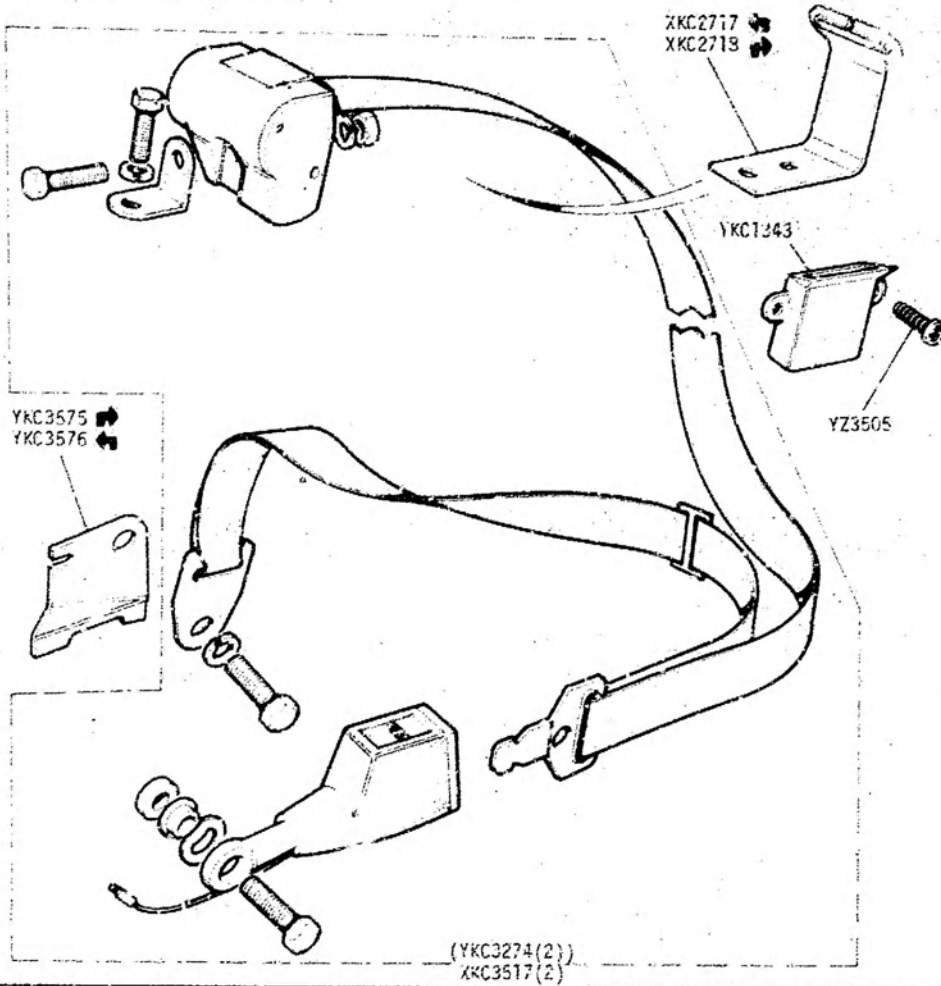
GROUP INDEX

| | | | |
|---|--------------|---|----------------|
| Introduction | 1B 2B | Steering | 1G |
| Engine | 1C | Brakes and Brake Controls | 1H |
| Flywheel and Clutch | 1D | Fuel, Exhaust and Emission Systems | 1I - J |
| Gearbox and Propshaft | 1E | Cooling, Heating and Air Conditioning | 1K |
| Axles, Suspension, Drive Shafts, Wheels | 1F | Electrical, Washers/Wipers, Instruments | 1L - 1R |

| | |
|---|-----------|
| Chassis, Subframes, Bodyshell, Fittings | 2C |
| Fascia, Trim, Seats and Fixings | 2D |
| Miscellaneous | 2E |
| Numerical Index | 2F |

2D13

GROUP M
FACIA/TRIM/SEATS - Seat Belts

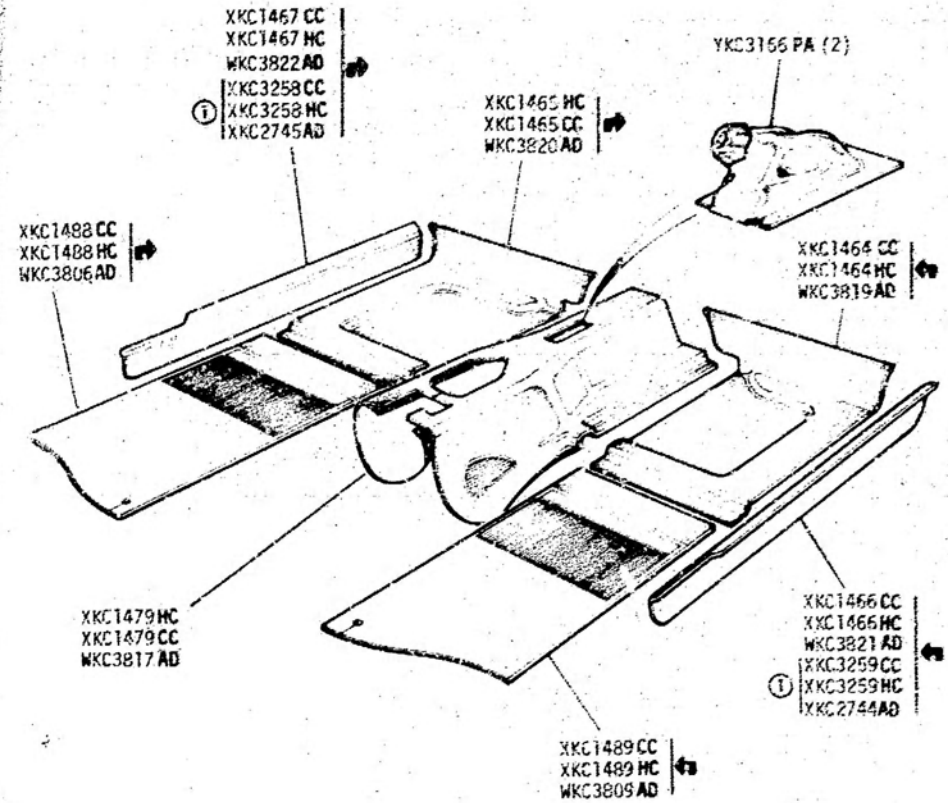


TR3

2D 14L

B4996/4

GROUP M
FACIA/TRIM/SEATS - Carpets and Handbrake Gauntlet → VIN 200007
↔ 2D 15L For Future



① Convertible only

Trim Colour Identification Letters
AD - Chestnut
HC - Emerald
CC - Tartan Ped
PA - Black

TR8

2D 14R

YS1414

GROUP INDEX

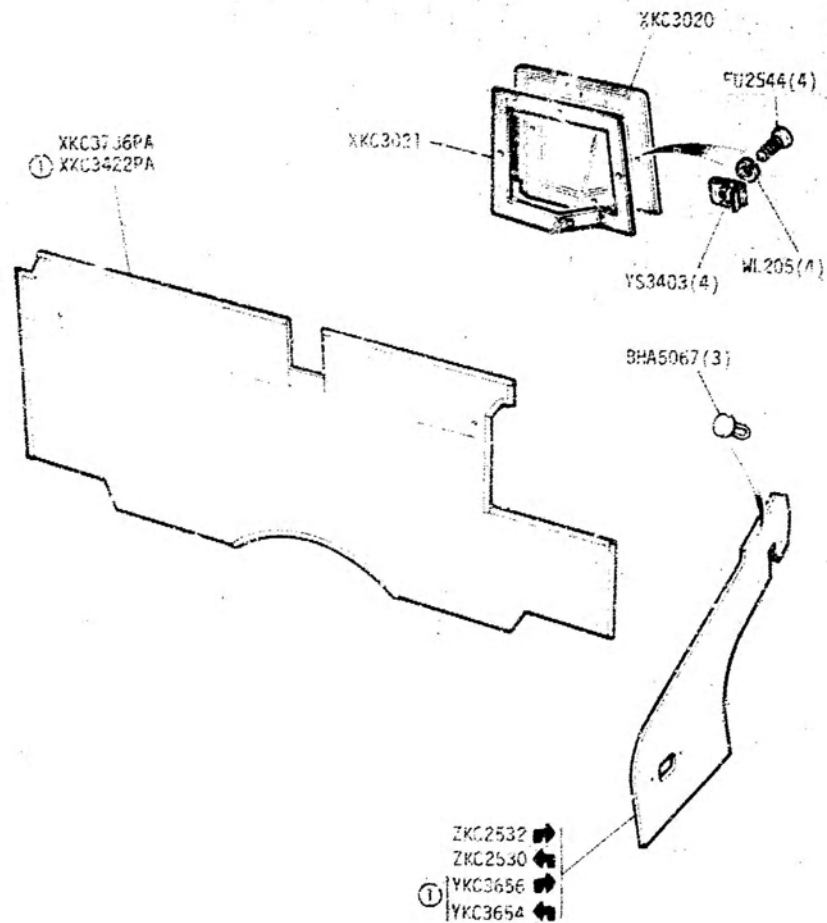
Introduction 1B 2B
Engine 1C
Flywheel and Clutch 1D
Gearbox and Propshaft 1E
Axles, Suspension, Drive Shafts, Wheels 1F

Steering 1G
Brakes and Brake Controls 1H
Fuel, Exhaust and Emission Systems 1I - J
Cooling, Heating and Air Conditioning 1K
Electrical, Washers/Wipers, Instruments 1L - 20

Chassis, Subframes, Bodyshell, Fittings 2C
Fascia, Trim, Seats and Fixings 2D
Miscellaneous 2E
Numerical Index 2F

2D14

GROUP M
FACIA/TRIM/SEATS - Boot Side Trimboard, Petrol Duct Panel



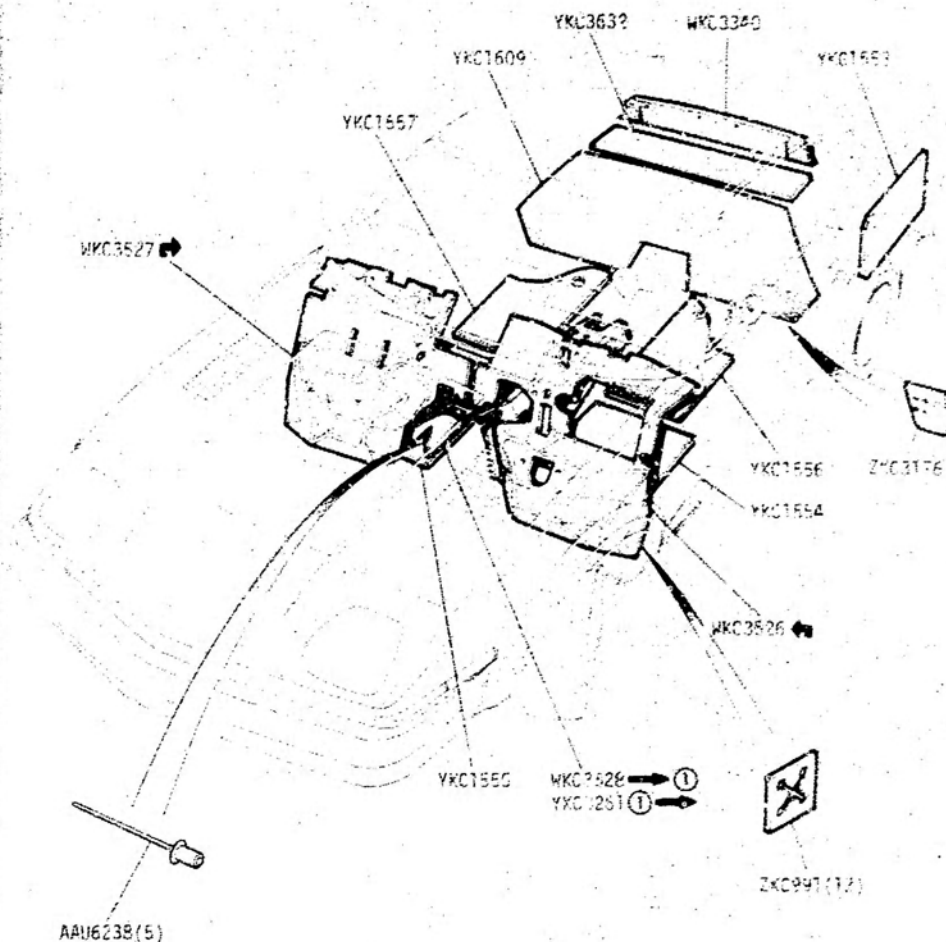
① Convertible

TR6

ZD 16L

V51176

GROUP N
FACIA/TRIM/SEATS - Insulation pads



① From VIN 201300

TR8

ZD 16R

B7137

GROUP INDEX

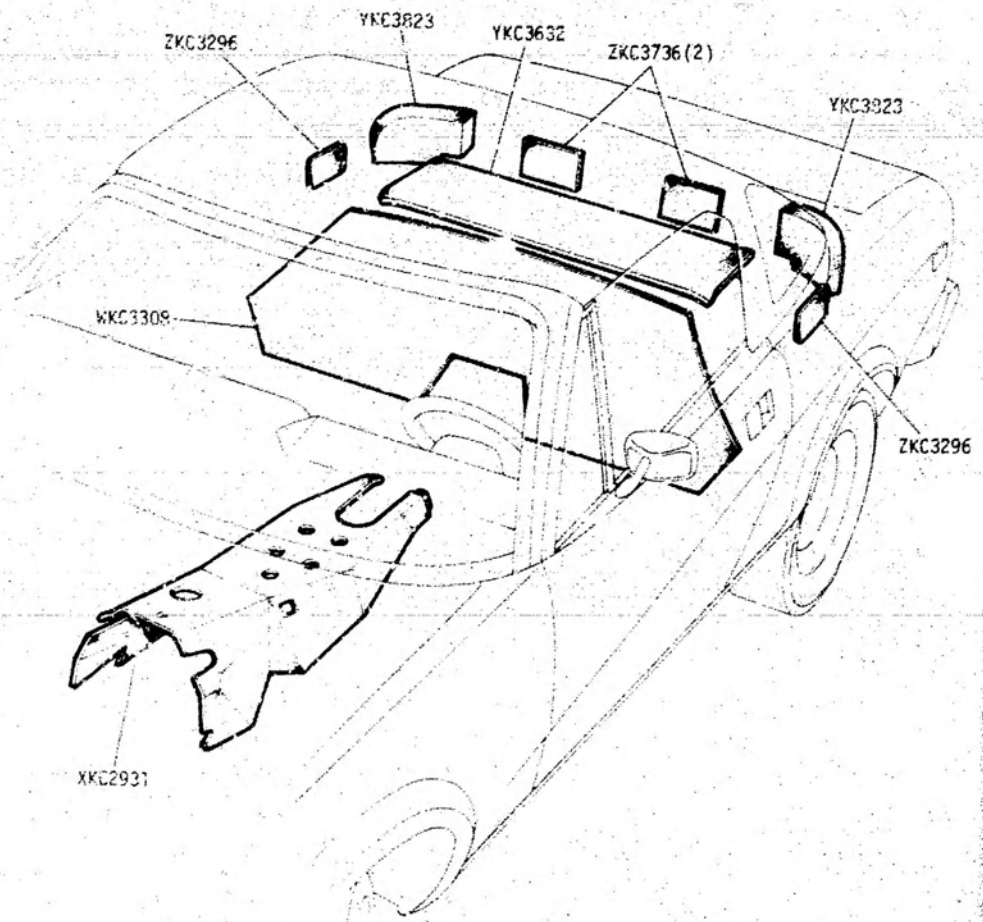
Introduction **1B 2B**
 Engine **1C**
 Flywheel and Clutch **1D**
 Gearbox and Propshaft **1E**
 Axles, Suspension, Drive Shafts, Wheels **1F**

Steering **1G**
 Brakes and Brake Controls **1H**
 Fuel, Exhaust and Emission Systems **1I - J**
 Cooling, Heating and Air Conditioning **1K**
 Electrical, Washers-Wipers, Instruments **1L - M**

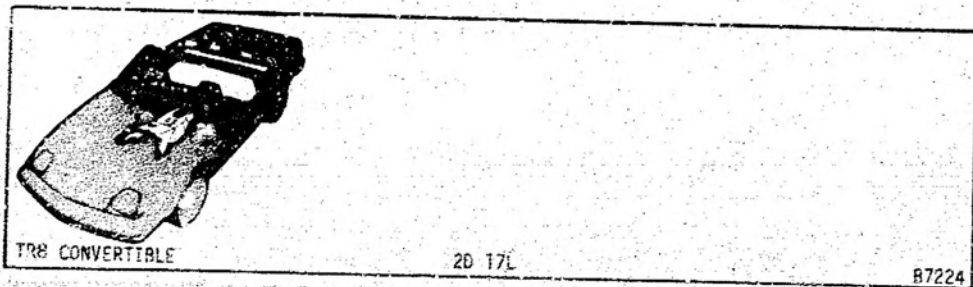
Chassis, Subframes, Bodyshell, Fittings **2C**
 Fascia, Trim, Seats and Fixings **2D**
 Miscellaneous **2E**
 Numerical Index **2F**

2D16

GROUP M
 FACIA/TRIM/SEATS - Sound Insulation Pads (Convertible)



BLANK



GROUP INDEX

| | | | | | |
|---|--------------|---|---------------|---|-----------|
| Introduction | 1B 2B | Steering | 1G | Chassis, Subframes, Bodyshell, Fittings | 2C |
| Engine | 1C | Brak and Brake Controls | 1H | Fascia, Trim, Seats and Fixings | 2D |
| Flywheel and Clutch | 1D | Fuel, Exhaust and Emission Systems | 1I - J | Miscellaneous | 2E |
| Gearbox and Propshaft | 1E | Cooling, Heating and Air Conditioning | 1K | Numerical Index | 2F |
| Axles, Suspension, Drive Shafts, Wheels | 1F | Electrical, Washers-Wipers, Instruments | 1L - M | | |

2D17