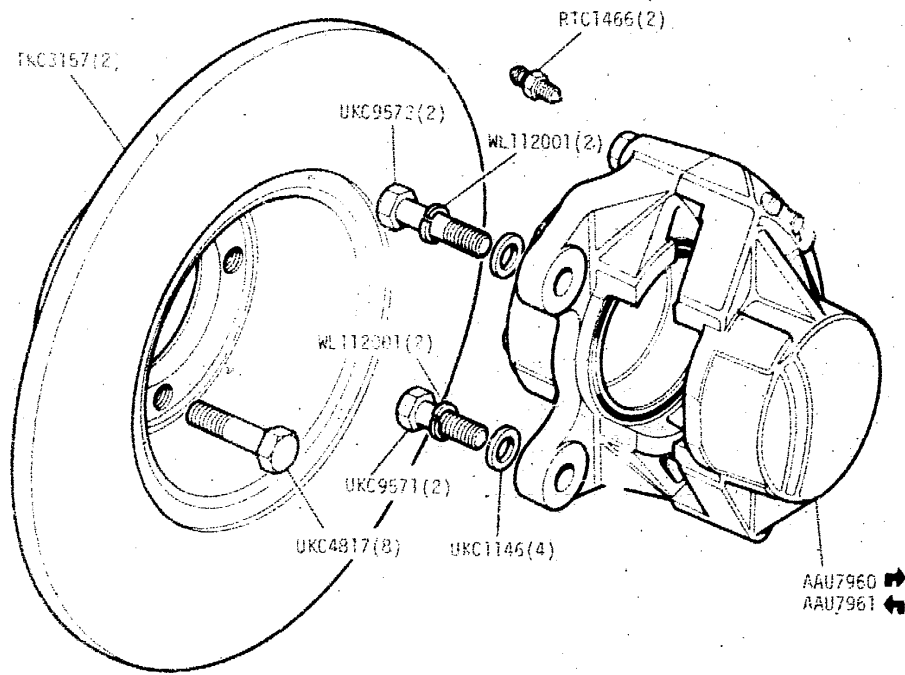
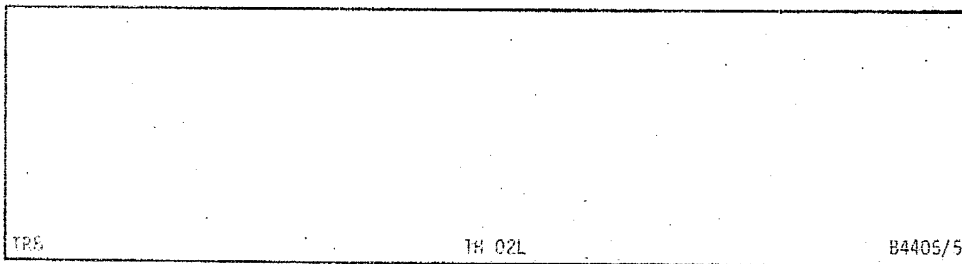
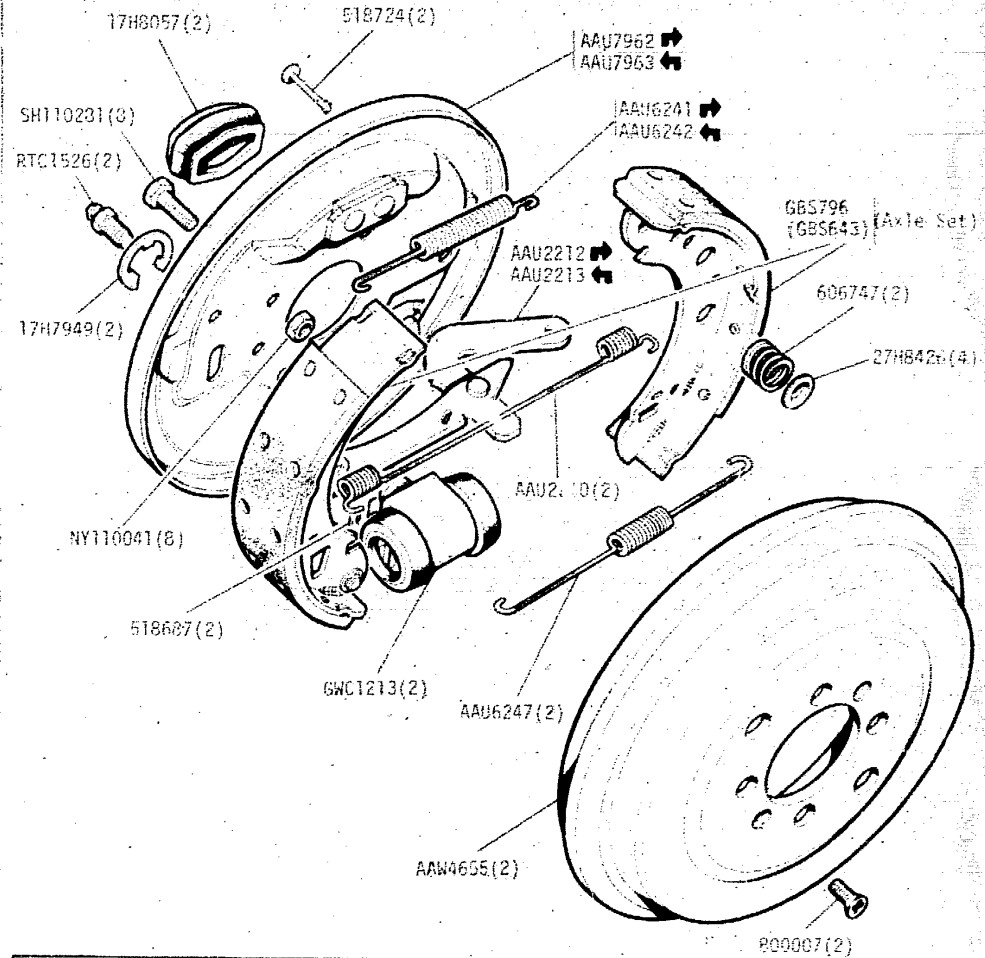


GROUP G
BRAKES - Front Brake



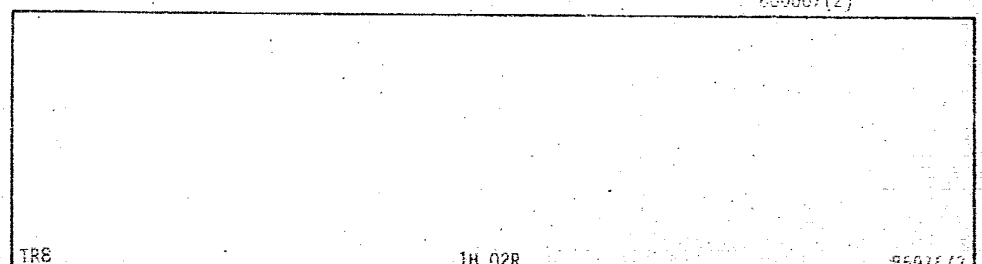
GROUP C
BRAKES - Rear Brake



TR8

1H 02L

B4405/5



TR8

1H 02R

B5976/3

GROUP INDEX

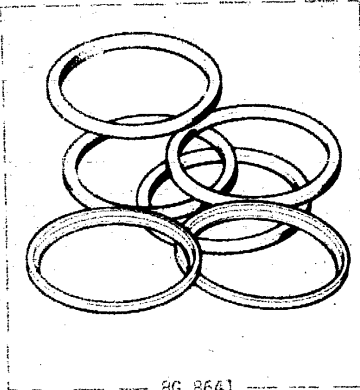
Introduction **1B 2B**
 Engine **1C**
 Flywheel and Clutch **1D**
 Gearbox and Propshaft **1E**
 Axles, Suspension, Drive Shafts, Wheels **1F**

Steering **1G**
 Brakes and Brake Controls **1H**
 Fuel, Exhaust and Emission Systems **1I - J**
 Cooling, Heating and Air Conditioning **1K**
 Electrical, Washers-Wipers, Instruments **1L-M**

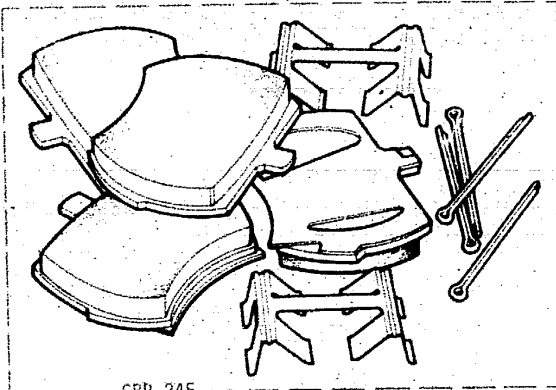
Chassis, Subframes, Bodyshell, Fittings **2C**
 Fascia, Trim, Seats and Fixings **2D**
 Miscellaneous **2E**
 Numerical Index **2F**

1H02

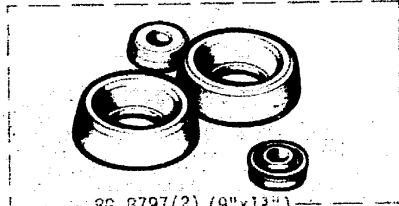
GROUP G
BRAKES - Service Kits



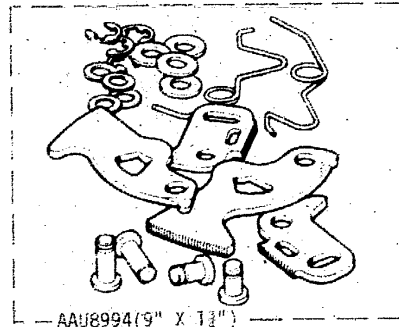
8G 8641



GBP 245



8G 8797(2) (9" x 1 1/2")



AAU8994(9" X 1 1/2")

'NO ILLUSTRATION'

1H03.R

TR8

1H 03L

VS1433

GROUP INDEX

Introduction
 Engine
 Flywheel and Clutch
 Gearbox and Propshaft
 Axles, Suspension, Drive Shafts, Wheels

1B 2B
1C
1D
1E
1F

Steering
 Brakes and Brake Controls
 Fuel, Exhaust and Emission Systems
 Cooling, Heating and Air Conditioning
 Electrical, Washers-Wipers, Instruments

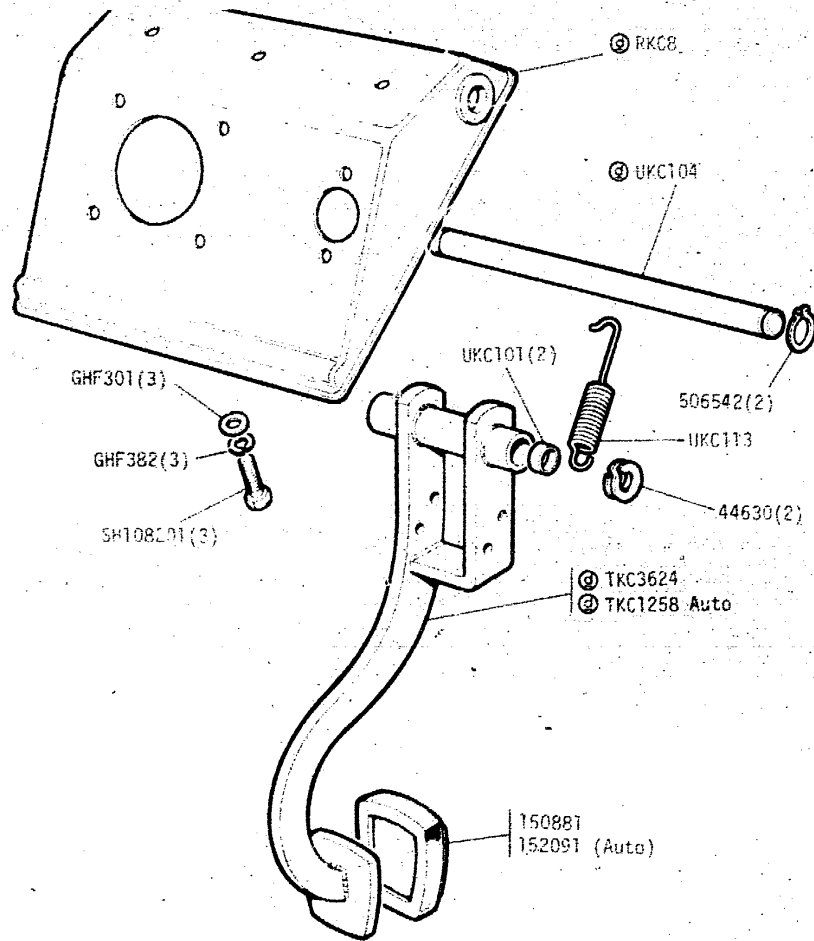
1G
1H
1I - J
1K
1L - M

Chassis, Subframes, BodysHELL, Fittings
 Fascia, Trim, Seats and Fixings
 Miscellaneous
 Numerical Index

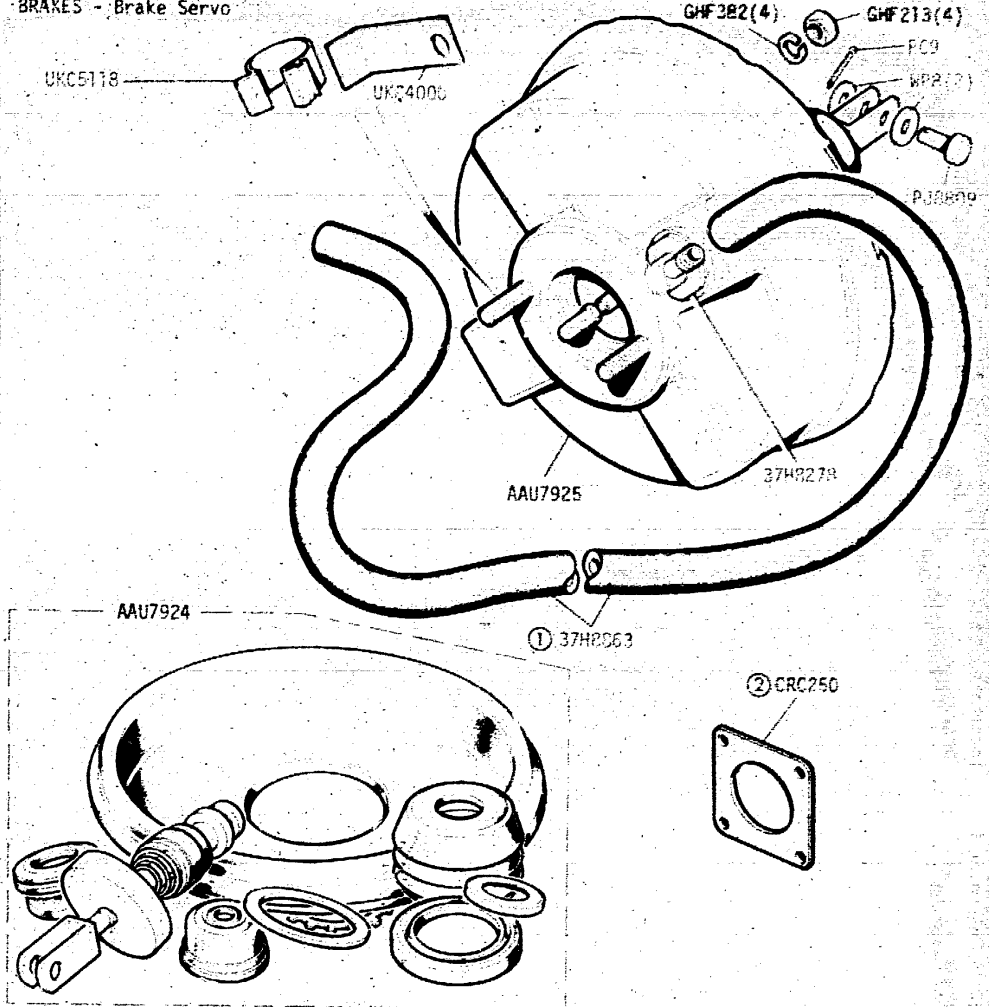
2C
2D
2E
2F

1H03

GROUP C
BRAKES - Brake pedal and mounting bracket



GROUP G
BRAKES - Brake Servo



- ① Supplied in 72" Lengths
- ② Gasket - servo to bulkhead

TR8

1H 04L

87032

TR8

1H 04R

87030

GROUP INDEX

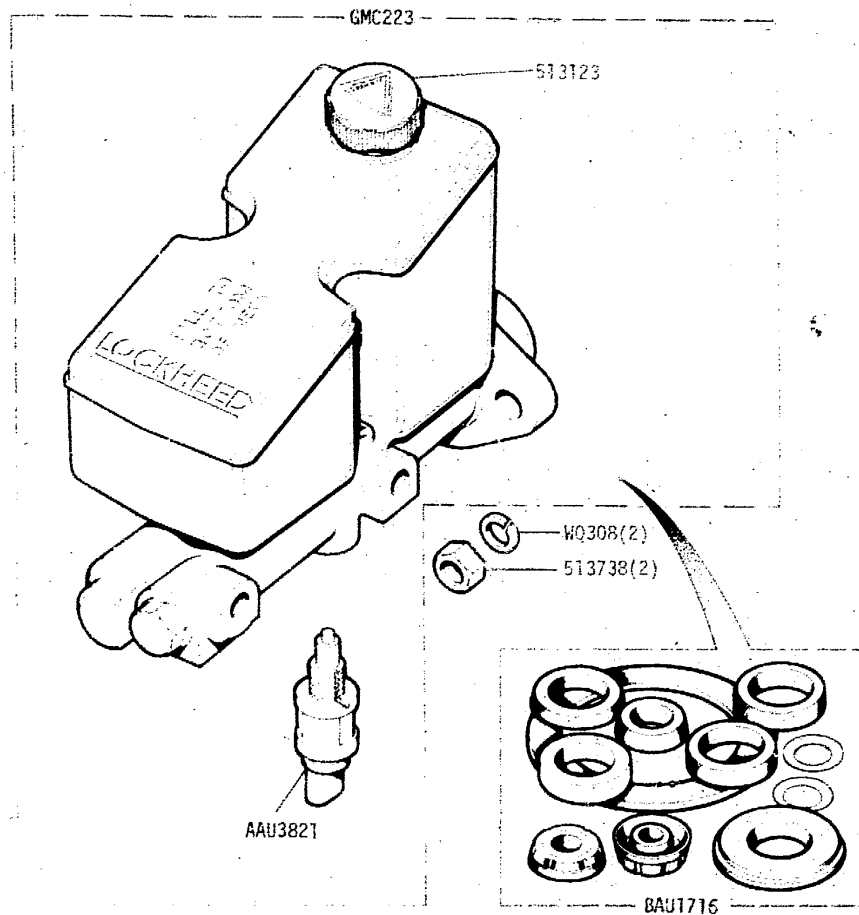
Introduction **1B 2B**
 Engine **1C**
 Flywheel and Clutch **1D**
 Gearbox and Propshaft **1E**
 Axles, Suspension, Drive Shafts, Wheels **1F**

Steering
 Brakes and Brake Controls **1G**
 Fuel, Exhaust and Emission Systems **1H**
 Cooling, Heating and Air Conditioning **1I - J**
 Electrical, Washers-Wipers, Instruments **1K**
1L - M

Chassis, Subframes, Bodyshell, Fittings **2C**
 Fascia, Trim, Seats and Fixings **2D**
 Miscellaneous **2E**
 Numerical Index **2F**

1H04

GROUP C
BRAKES - Brake Master Cylinder

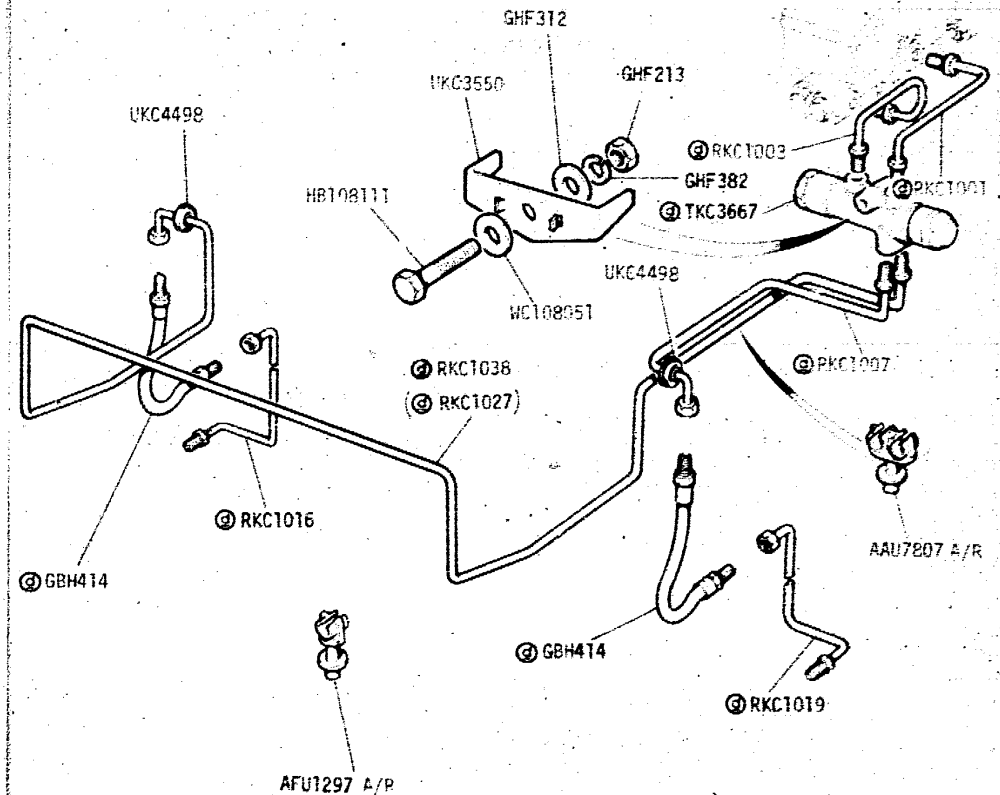


TR8

1H 05L

B7031

GROUP G
BRAKES - Front hydraulic pipes and brake hoses



TR8

1H 05R

B7033

GROUP INDEX

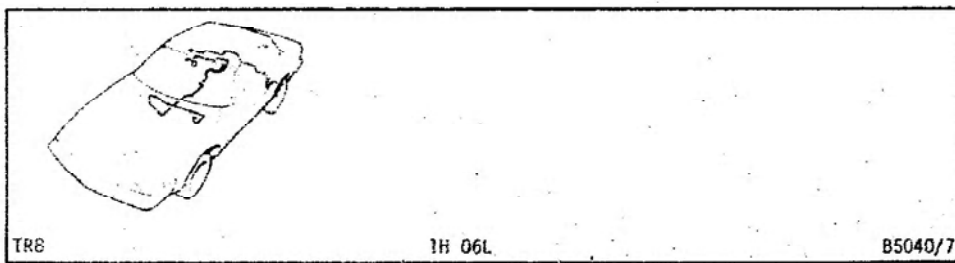
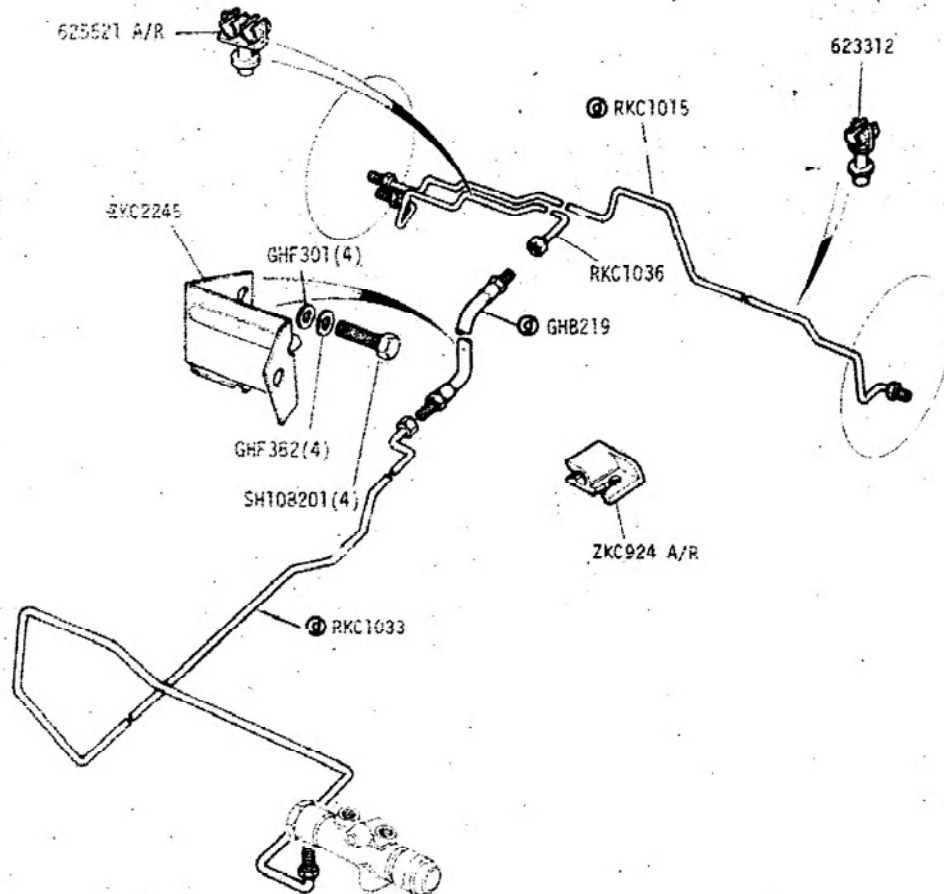
Introduction **1B 2B**
 Engine **1C**
 Flywheel and Clutch **1D**
 Gearbox and Propshaft **1E**
 Axles, Suspension, Drive Shafts, Wheels **1F**

Steering **1G**
 Brakes and Brake Controls **1H**
 Fuel, Exhaust and Emission Systems **1I - J**
 Cooling, Heating and Air Conditioning **1K**
 Electrical, Washers-Wipers, Instruments **1L - M**

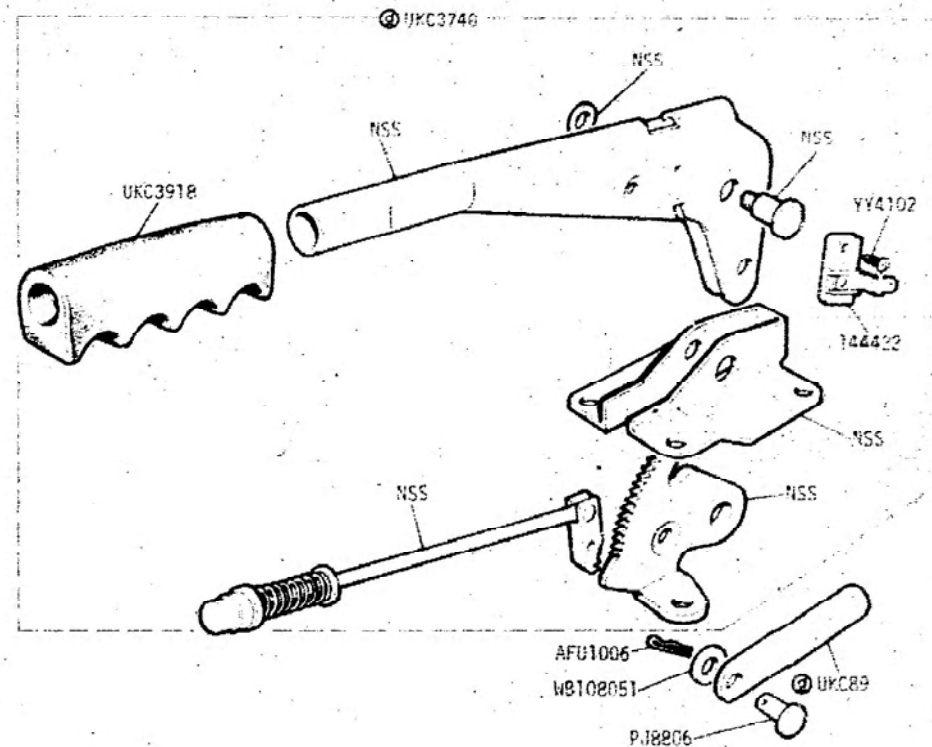
Chassis, Subframes, Bodyshell, Fittings **2C**
 Fascia, Trim, Seats and Fixings **2D**
 Miscellaneous **2E**
 Numerical Index **2F**

1H05

GROUP G
BRAKES - Rear Hydraulic Pipes



GROUP G
BRAKES - Handbrake Assembly

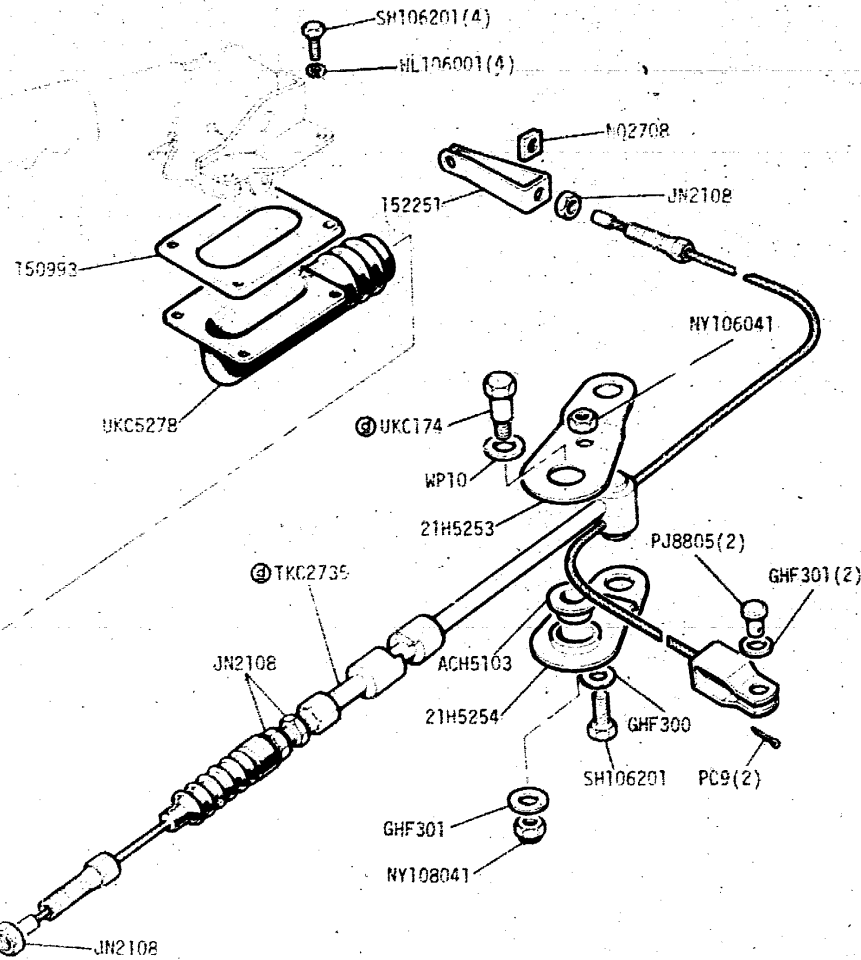


GROUP INDEX

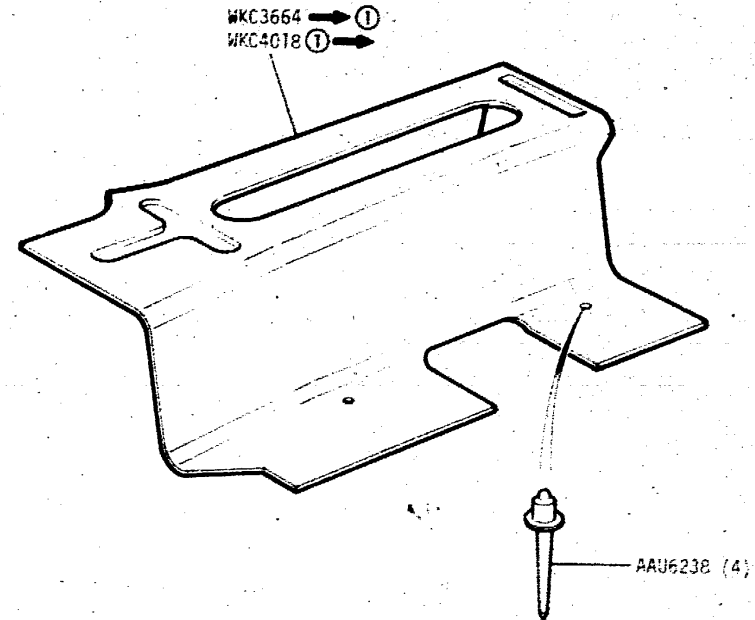
Introduction	1B 2B	Steering	1G	Chassis, Subframes, Bodyshell, Fittings	2C
Engine	1C	Brakes and Brake Controls	1H	Fascia, Trim, Seats and Fixings	2D
Flywheel and Clutch	1D	Fuel, Exhaust and Emission Systems	1I - J	Miscellaneous	2E
Gearbox and Propshaft	1E	Cooling, Heating and Air Conditioning	1K	Numerical Index	2F
Axles, Suspension, Drive Shafts, Wheels	1F	Electrical, Washers-Wipers, Instruments	1L - M		

1H06

GROUP G
BRAKES - Handbrake Cables



GROUP G
BRAKES - Handbrake Heatshield



① From Vin No 201308

TR8

1H 07L

B7025

TR8

1H 07R

VS.1094

GROUP INDEX

Introduction 1B 2B
 Engine 1C
 Flywheel and Clutch 1D
 Gearbox and Propshaft 1E
 Axles, Suspension, Drive Shafts, Wheels 1F

Steering 1G
 Brakes and Brake Controls 1H
 Fuel, Exhaust and Emission Systems 1I - J
 Cooling, Heating and Air Conditioning 1K
 Electrical, Washers-Wipers, Instruments 1L - M

Chassis, Subframes, Bodysheet, Fittings 2C
 Fascia, Trim, Seats and Fixings 2D
 Miscellaneous 2E
 Numerical Index 2F

1H07