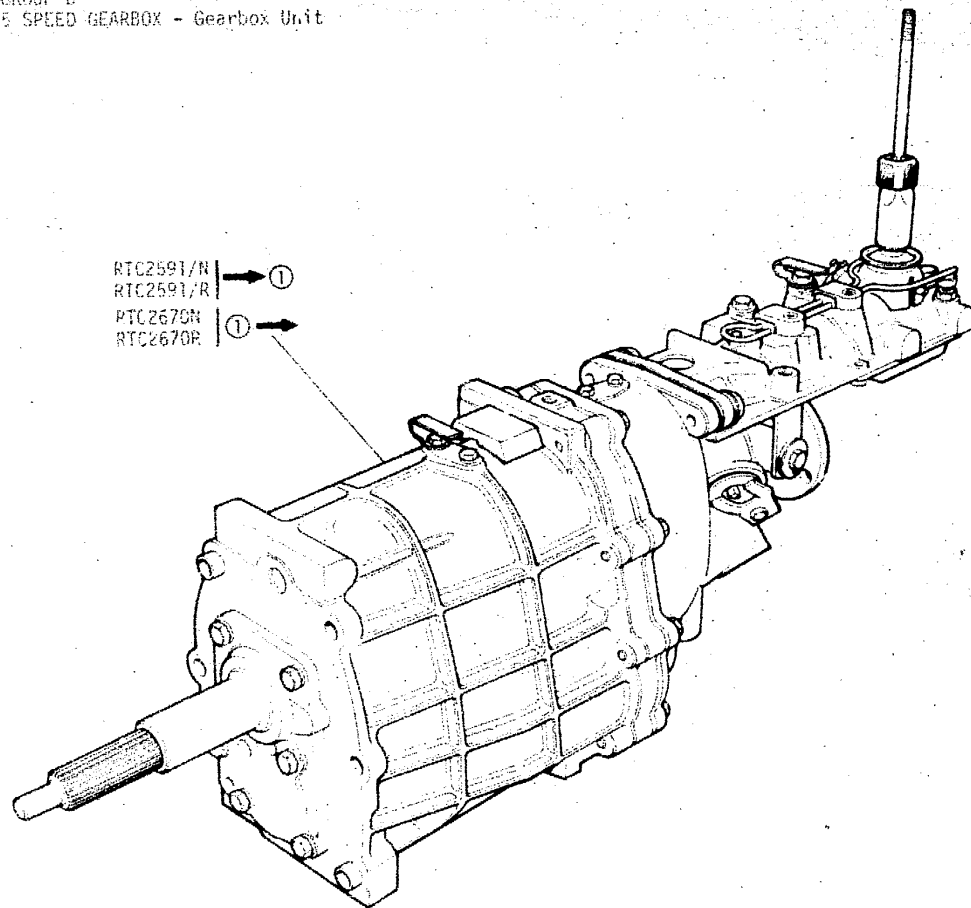
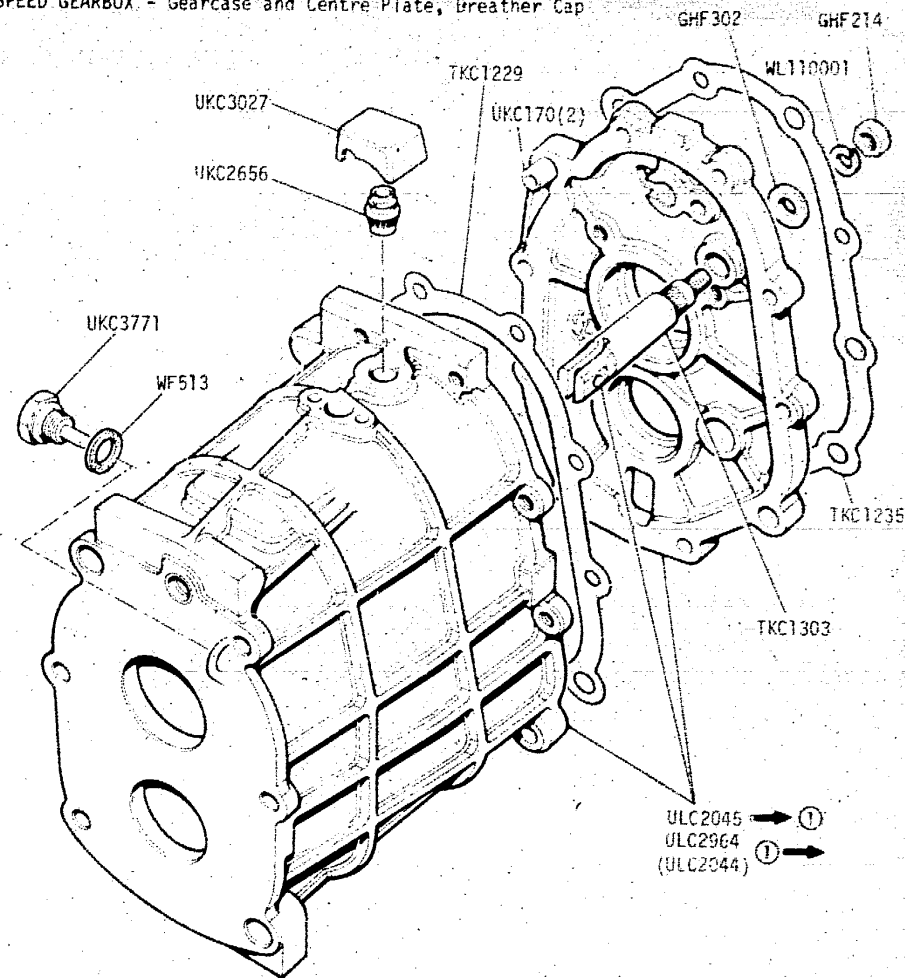


GROUP D
5 SPEED GEARBOX - Gearbox Unit



RTC2591/N → ①
RTC2591/R → ①
RTC2670N → ①
RTC2670R → ①

GROUP D
5 SPEED GEARBOX - Gearcase and Centre Plate, Breather Cap



ULC2045 → ①
ULC2964 → ①
(ULC2044)

① VIN No. 402001

① Gearbox No. CN22477C

TR8

1E-02L

B7043/2

TR8

1E 02R

B7046

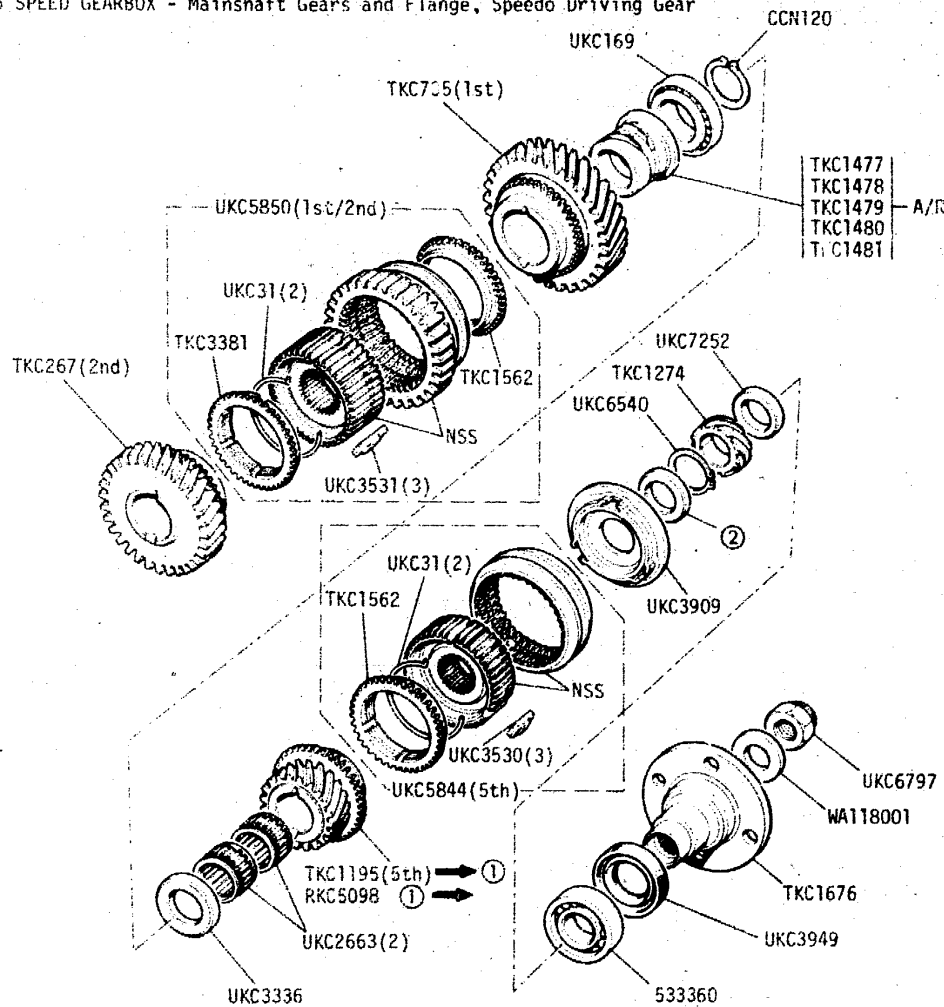
GROUP INDEX

Introduction	1B 2B	Steering	1G
Engine	1C	Brakes and Brake Controls	1H
Flywheel and Clutch	1D	Fuel, Exhaust and Emission Systems	1I - J
Gearbox and Propshaft	1E	Cooling, Heating and Air Conditioning	1K
Axles, Suspension, Drive Shafts, Wheels	1F	Electrical, Washers-Wipers, Instruments	1L - M

Chassis, Subframes, Bodyshell, Fittings	2C
Fascia, Trim, Seats and Fixings	2D
Miscellaneous	2E
Numerical Index	2F

1E02

GROUP D
5 SPEED GEARBOX - Mainshaft Gears and Flange, Speedo Driving Gear



① VIN No 402001

- ② UKC8996 (5.10mm)
 UKC8998 (5.16mm)
 UKC9000 (5.22mm)
 UKC9002 (5.28mm)
 UKC9004 (5.34mm)
 UKC9006 (5.40mm)
 UKC9008 (5.46mm)
 UKC9010 (5.52mm)
 UKC9012 (5.58mm)
 UKC9014 (5.64mm)

TR8

1E 04L

B7048

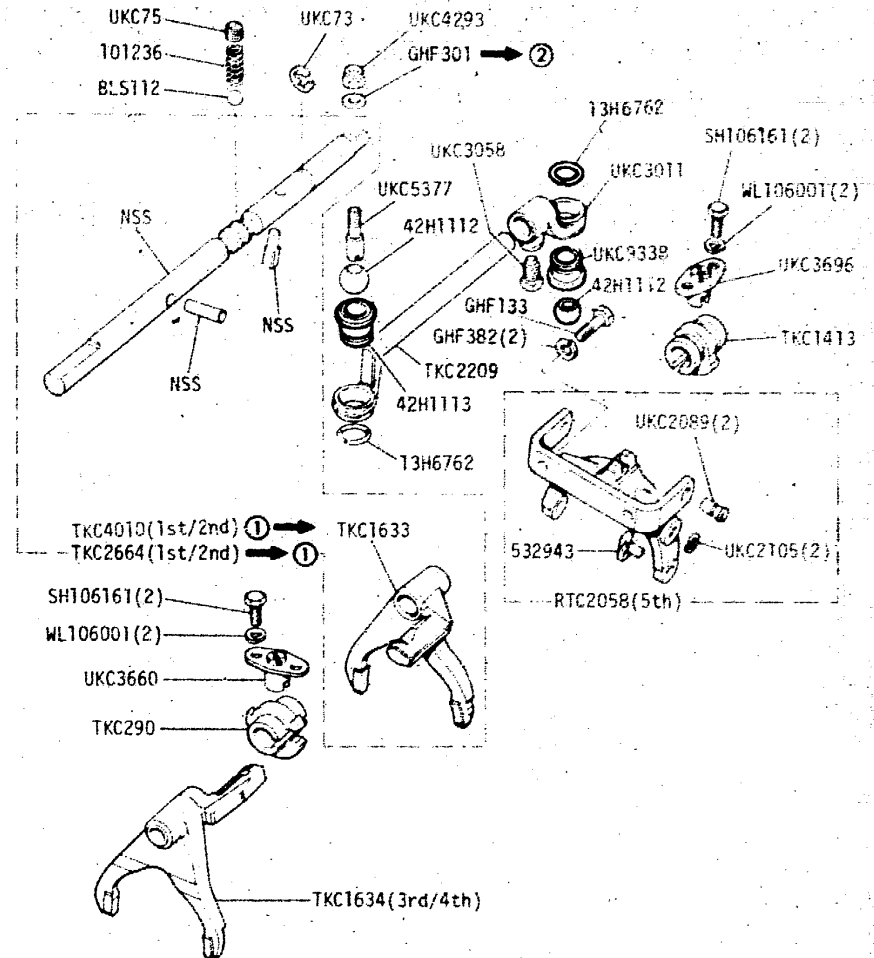
GROUP INDEX

Introduction **1B 2B**
 Engine **1C**
 Flywheel and Clutch **1D**
 Gearbox and Propshaft **1E**
 Axles, Suspension, Drive Shafts, Wheels **1F**

Steering
 Brakes and Brake Controls
 Fuel, Exhaust and Emission Systems
 Cooling, Heating and Air Conditioning
 Electrical, Washers-Wipers, Instruments

1G
1H
1I - J
1K
1L - M

GROUP D
5 SPEED GEARBOX - Selectors and Shafts



① Gearbox No CN22477C

② Gearbox No CN39000C

TR8

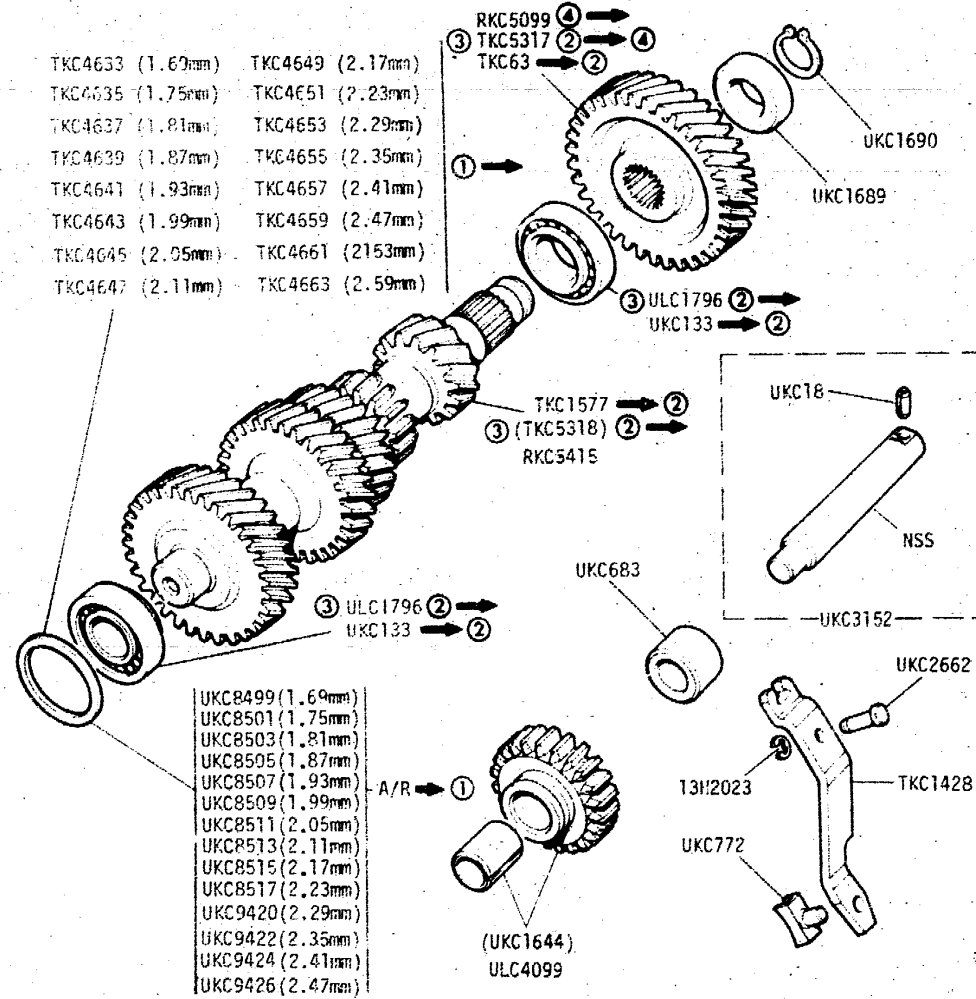
1E 04R

B7051

1E04

GROUP D

5 SPEED GEARBOX - Layshaft Cluster Gear, Reverse Operating Lever



- ① Gearbox No. CN22477C
- ② Gearbox No. CN45500C
- ③ RTC2562 Layshaft Kit (Service Replacement for TKC 1577)
- ④ VIN No 402001

TR8

1E 05L

B7050

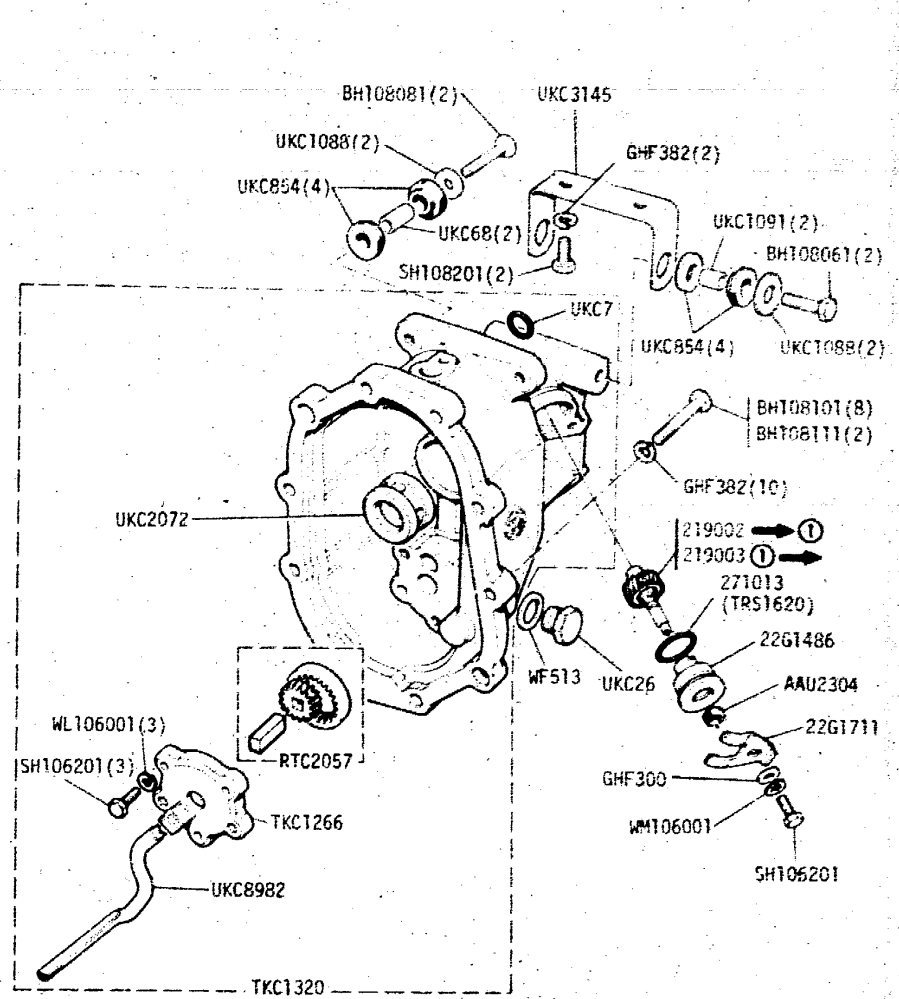
GROUP INDEX

Introduction **1B 2B**
 Engine **1C**
 Flywheel and Clutch **1D**
 Gearbox and Propshaft **1E**
 Axle, Suspension, Drive Shafts, Wheels **1F**

Steering **1G**
 Brakes and Brake Controls **1H**
 Fuel, Exhaust and Emission Systems **1I - J**
 Cooling, Heating and Air Conditioning **1K**
 Electrical, Washers-Wipers, Instruments **1L-M**

GROUP D

5 SPEED GEARBOX - Extension Case and Pump, Speedo Driven Gear



- ① VIN291308.

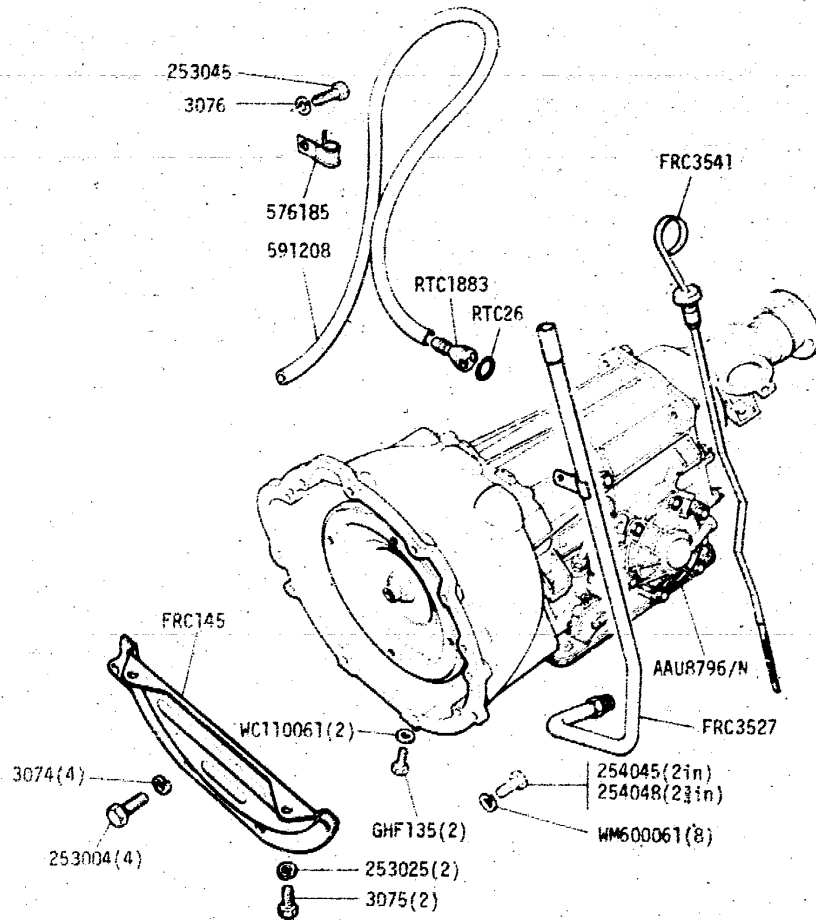
TR8

1E 05R

B7047

1E05

GROUP D
AUTOMATIC GEARBOX - Gearbox Unit, Dipstick

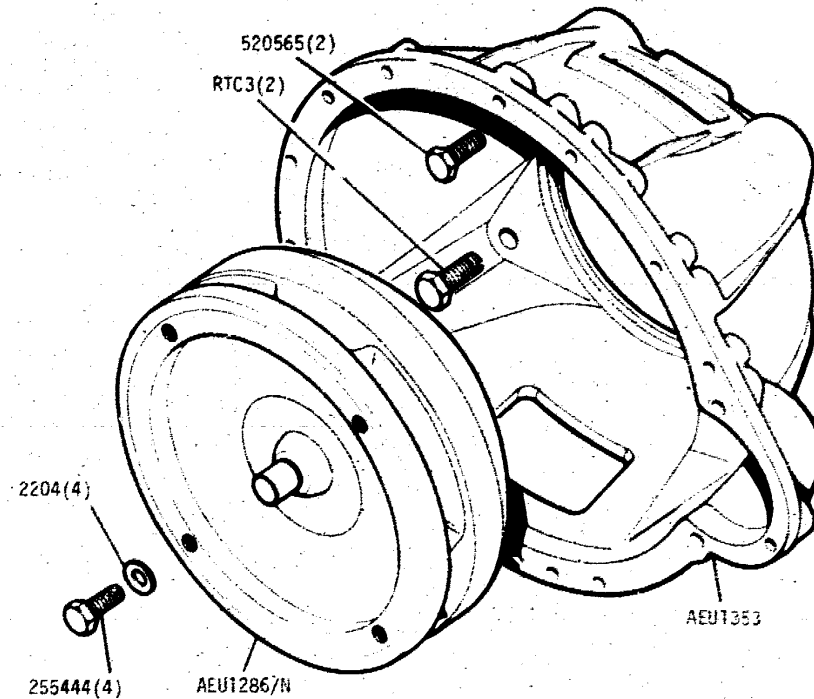


TRD

1E 07L

B7193

GROUP D
AUTOMATIC GEARBOX - Torque Converter and Housing



TRB

1E 07R

B5235,1

GROUP INDEX

Introduction **1B 2B**
 Engine **1C**
 Flywheel and Clutch **1D**
 Gearbox and Propshaft **1E**
 Axles, Suspension, Drive Shafts, Wheels **1F**

Steering
 Brakes and Brake Controls
 Fuel, Exhaust and Emission Systems
 Cooling, Heating and Air Conditioning
 Electrical, Washers-Wipers, Instruments

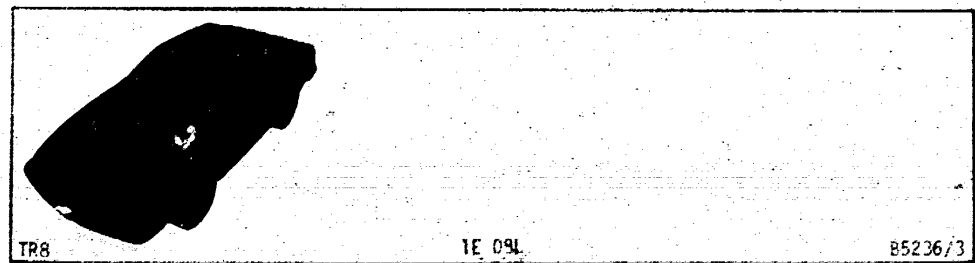
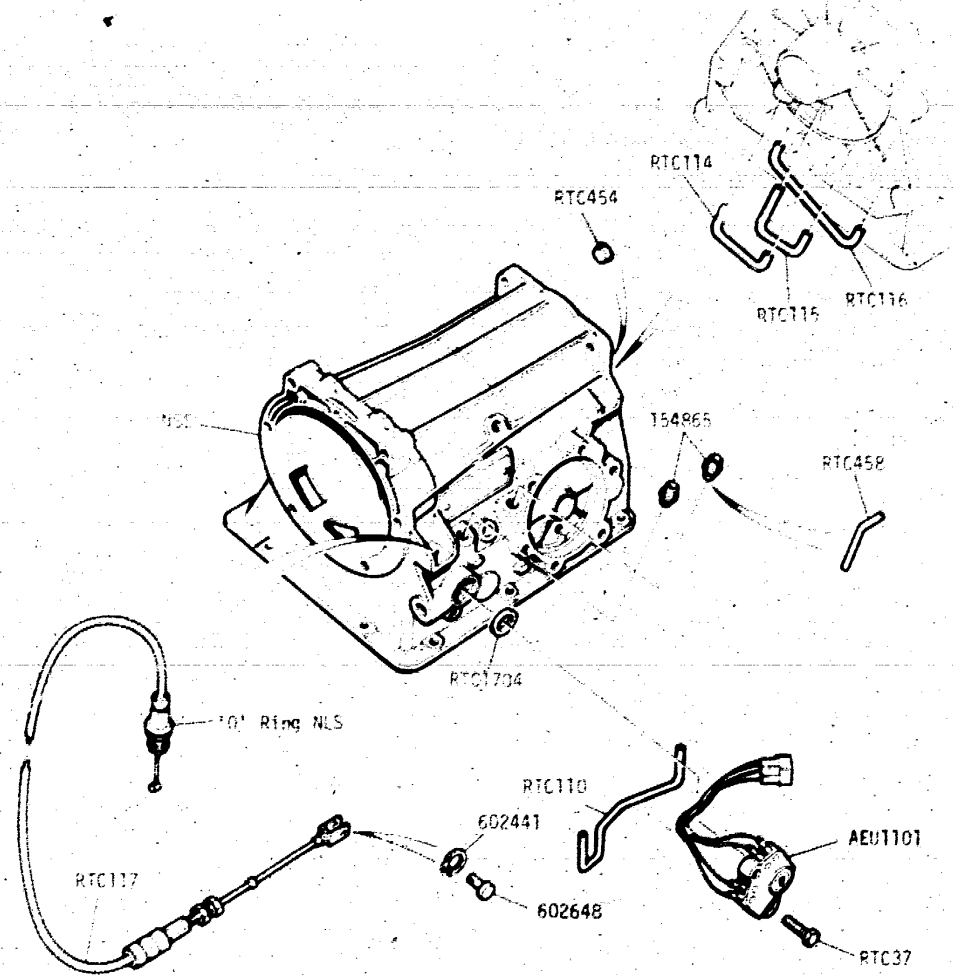
1G
1H
1I - J
1K
1L - M

Chassis, Subframes, Bodyshell, Fittings **2C**
 Fascia, Trim, Seats and Fixings **2D**
 Miscellaneous **2E**
 Numerical Index **2F**

1E07

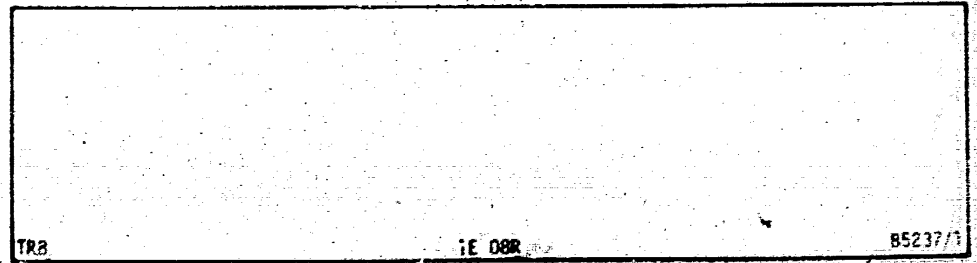
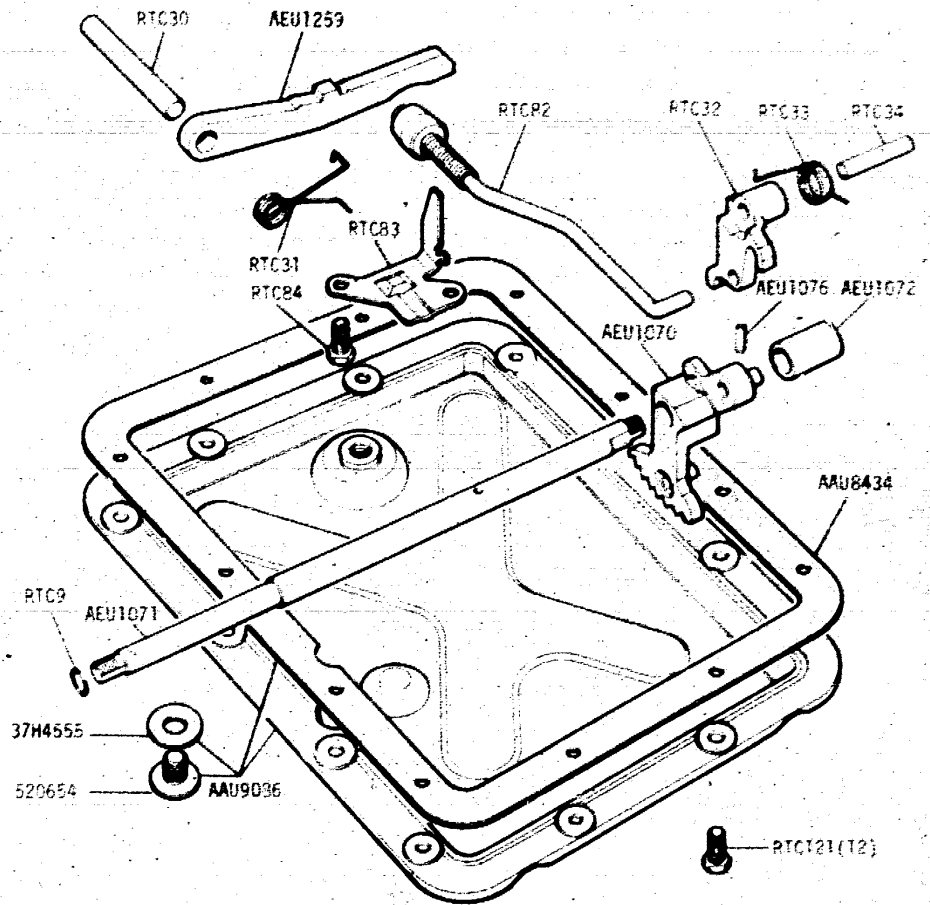
GROUP D

AUTOMATIC GEARBOX - Gearbox case, kickdown cable, inhibitor switch



GROUP D

AUTOMATIC GEARBOX - Oil Pan - Parking Details



GROUP INDEX

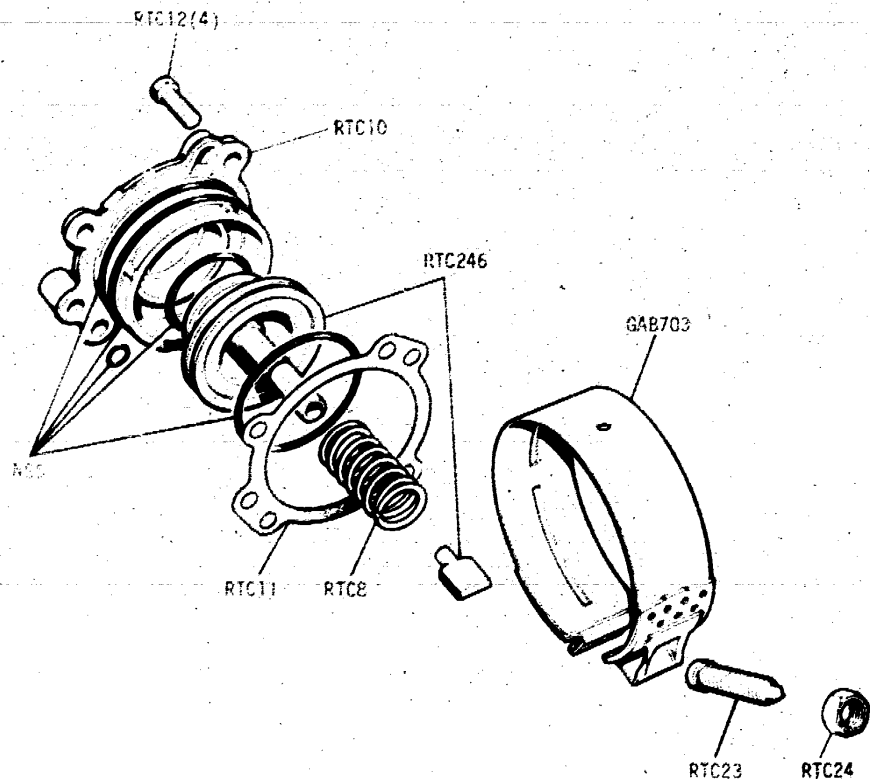
- Introduction **1B 2B**
- Engine **1C**
- Flywheel and Clutch **1D**
- Gearbox and Propshaft **1E**
- Axles, Suspension, Drive Shafts, Wheels **1F**

- Steering **1G**
- Brakes and Brake Controls **1H**
- Fuel, Exhaust and Emission Systems **1I - J**
- Cooling, Heating and Air Conditioning **1K**
- Electrical, Washers-Wipers, Instruments **1L - M**

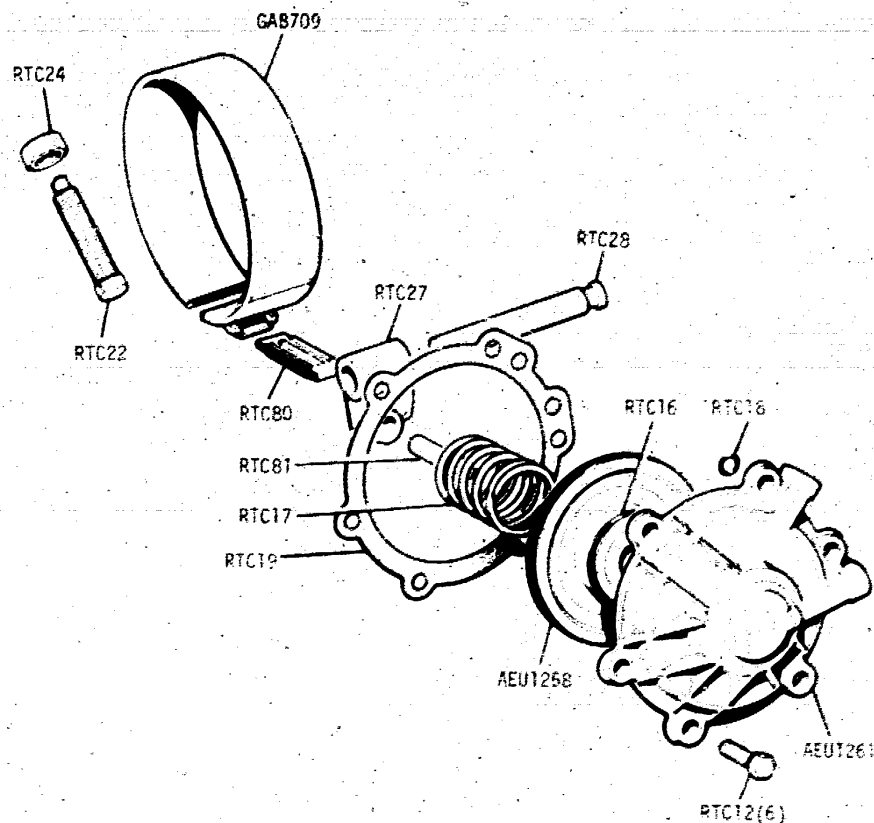
- Chassis, Subframes, Bodysheet, Fittings **2C**
- Fascia, Trim, Seats and Fixings **2D**
- Miscellaneous **2E**
- Numerical Index **2F**

1E 08

GROUP D
AUTOMATIC GEARBOX - Front Servo and Brake Band



GROUP D
AUTOMATIC GEARBOX - Rear Servo and Brake Band



TR9

1E 09L

B5238/3

TR8

1E 09R

B5239/1

GROUP INDEX

Introduction **1B 2B**
 Engine **1C**
 Flywheel and Clutch **1D**
 Gearbox and Propshaft **1E**
 Axles, Suspension, Drive Shafts, Wheels **1F**

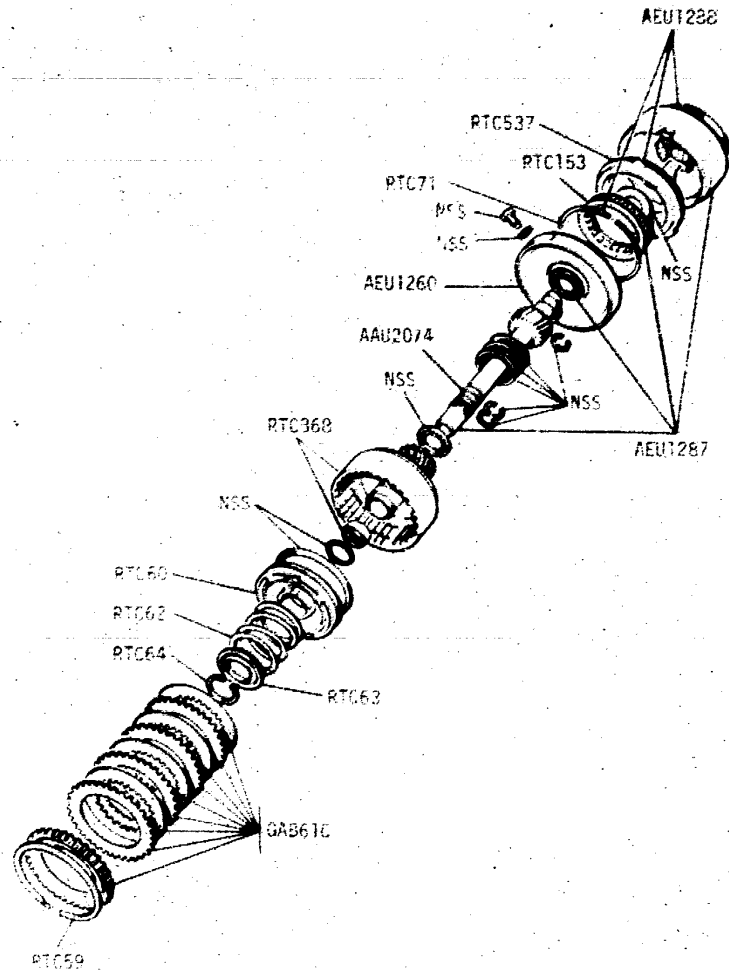
Steering **1G**
 Brakes and Brake Controls **1H**
 Fuel, Exhaust and Emission Systems **1I - J**
 Cooling, Heating and Air Conditioning **1K**
 Electrical, Washers-Wipers, Instruments **1L - 1M**

Chassis, Subframes, Bodysell, Fittings **2C**
 Fascia, Trim, Seats and Fixings **2D**
 Miscellaneous **2E**
 Numerical Index **2F**

1E 09

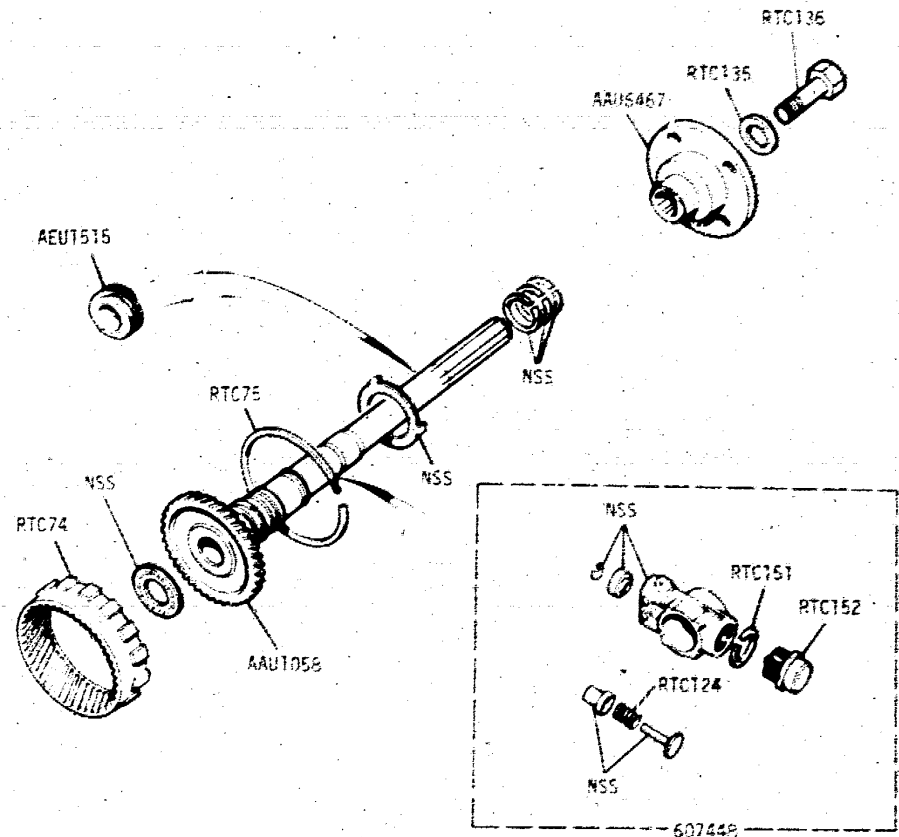
GROUP D

AUTOMATIC GEARBOX - Rear Clutch, Front Drum, Sun Gear



GROUP D

AUTOMATIC GEARBOX - Driven Shaft, Governor, Speedo Driving Gear



TR8

1E 11L

85242/1

TR8

1E 11R

85243/1

GROUP INDEX

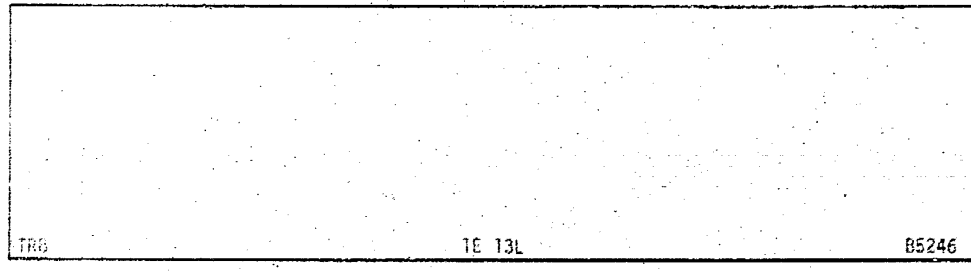
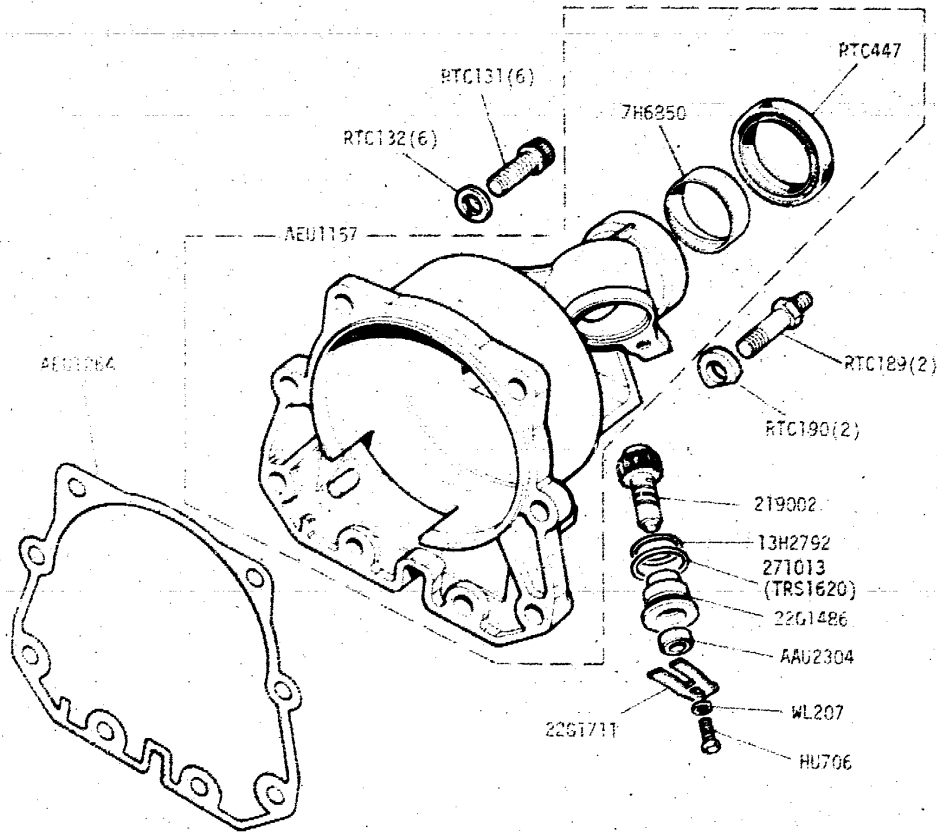
Introduction **1B 2B**
 Engine **1C**
 Flywheel and Clutch **1D**
 Gearbox and Propshaft **1E**
 Axles, Suspension, Drive Shafts, Wheels **1F**

Steering **1G**
 Brakes and Brake Controls **1H**
 Fuel, Exhaust and Emission Systems **1I - J**
 Cooling, Heating and Air Conditioning **1K**
 Electrical, Washers/Wipers, Instruments **1L - M**

Chassis, Subframes, Bodyshell, Fittings **2C**
 Fascia, Trim, Seats and Fixings **2D**
 Miscellaneous **2E**
 Numerical Index **2F**

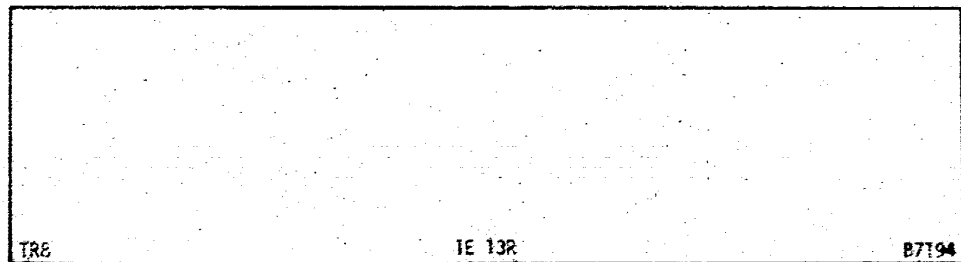
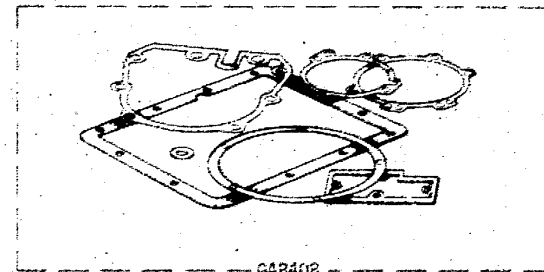
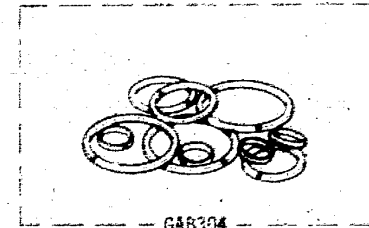
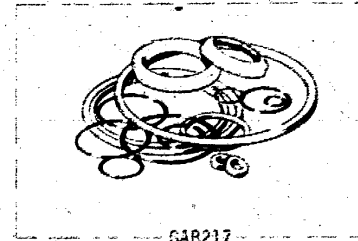
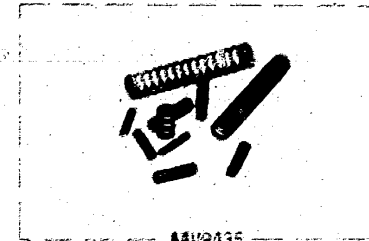
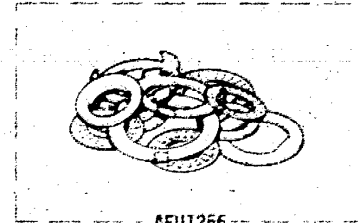
1E11

GROUP D
AUTOMATIC GEARBOX - Rear housing oil seal speedo driven gear



TR6 1E 13L B5246

GROUP D
AUTOMATIC GEARBOX - Repair kits



TR6 1E 13R B7194

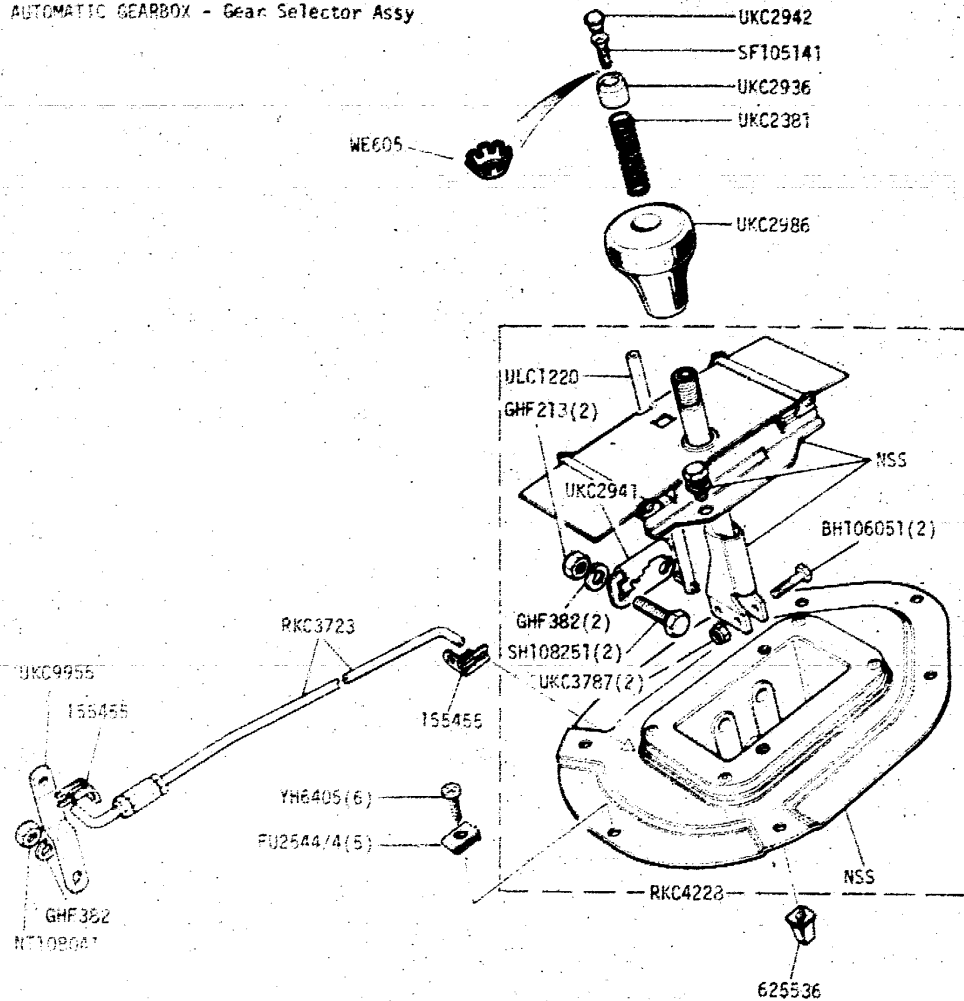
GROUP INDEX

Introduction	1B 2B	Steering	1G
Engine	1C	Brakes and Brake Controls	1H
Flywheel and Clutch	1D	Fuel, Exhaust and Emission Systems	1I - J
Gearbox and Propshaft	1E	Cooling, Heating and Air Conditioning	1K
Axles, Suspension, Drive Shafts, Wheels	1F	Electrical, Washers/Wipers, Instruments	1L - M

Chassis, Subframes, Bodyshell, Fittings	2C
Fascia, Trim, Seats and Fixings	2D
Miscellaneous	2E
Numerical Index	2F

1E13

GROUP D
AUTOMATIC GEARBOX - Gear Selector Assy



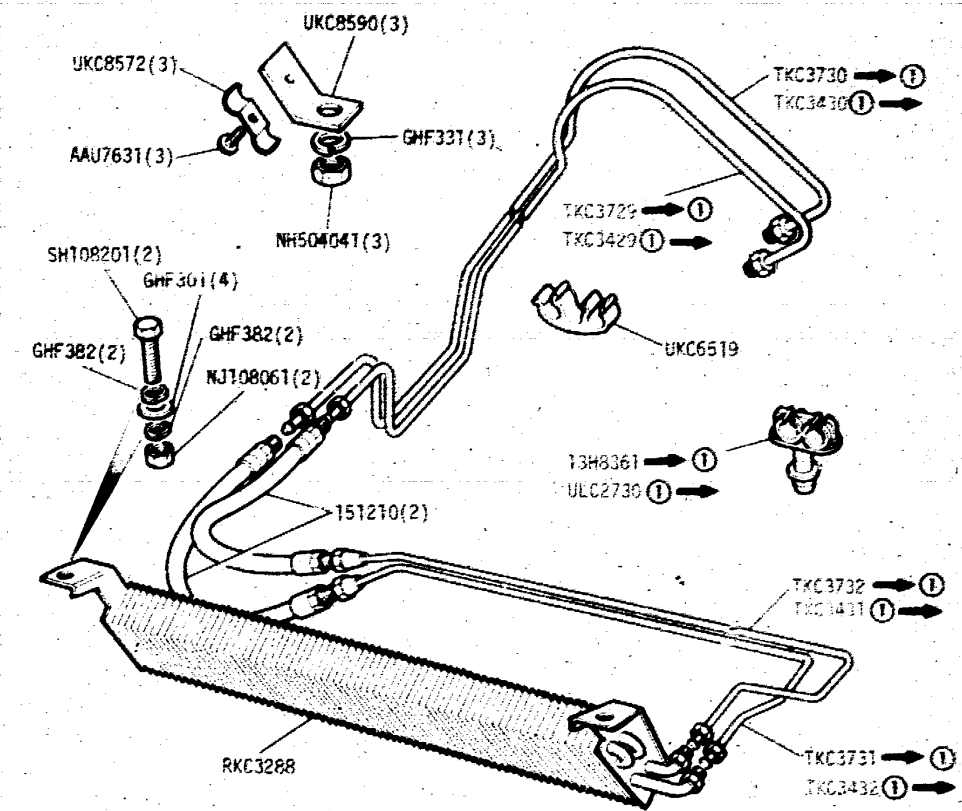
PKC 1449 Heatshield

TR2

1E 14L

85250/2

GROUP D
AUTOMATIC GEARBOX - oil cooler and supply



① VIN201308

TR8

1E 14R

87192

GROUP INDEX

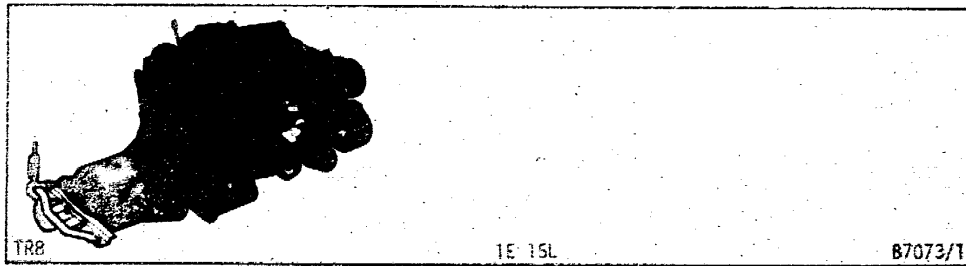
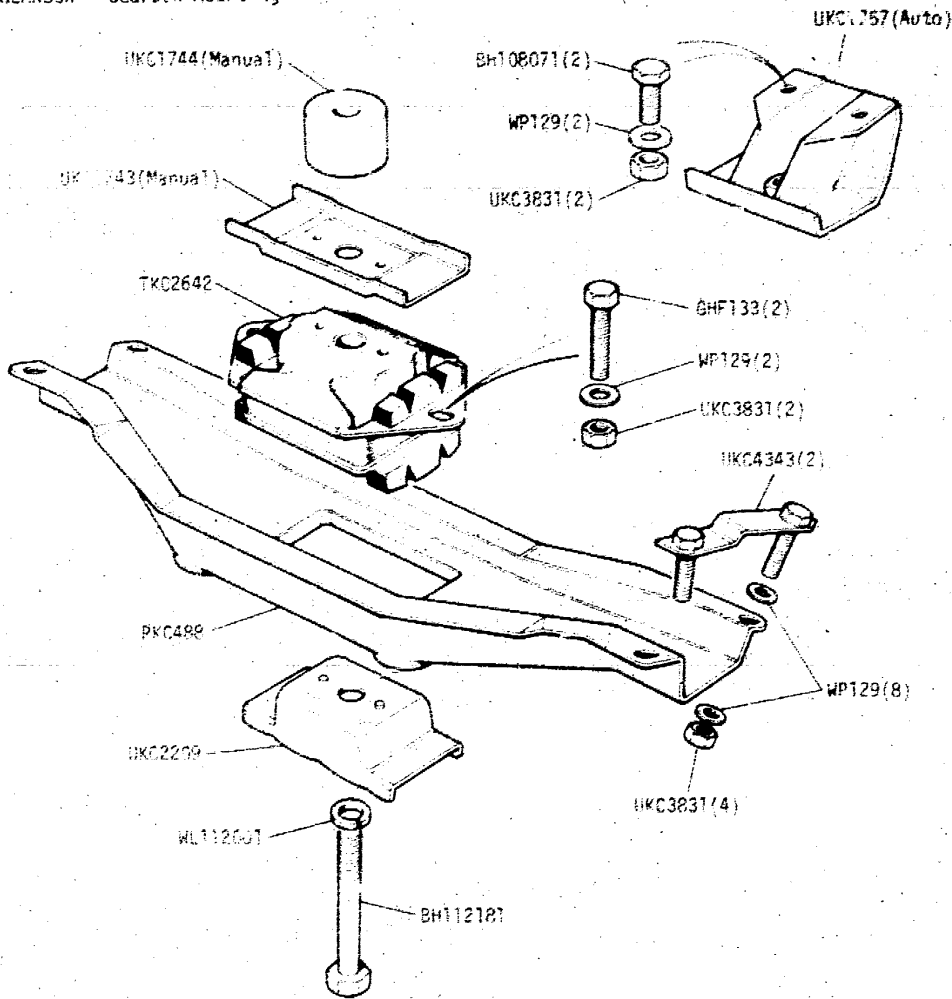
Introduction **1B 2B**
 Engine **1C**
 Flywheel and Clutch **1D**
 Gearbox and Propshaft **1E**
 Axles, Suspension, Drive Shafts, Wheels **1F**

Steering **1G**
 Brakes and Brake Controls **1H**
 Fuel, Exhaust and Emission Systems **1I - J**
 Cooling, Heating and Air Conditioning **1K**
 Electrical, Washers-Wipers, Instruments **1L - M**

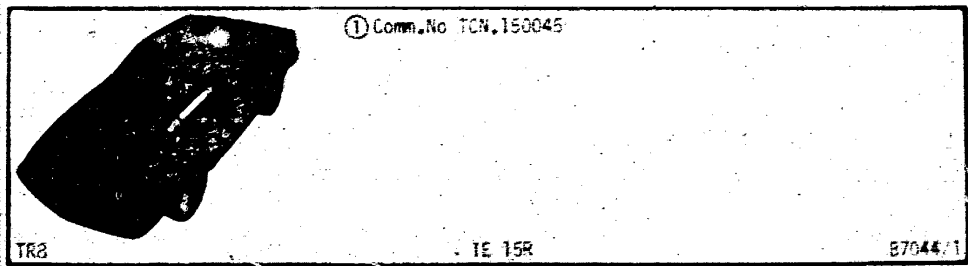
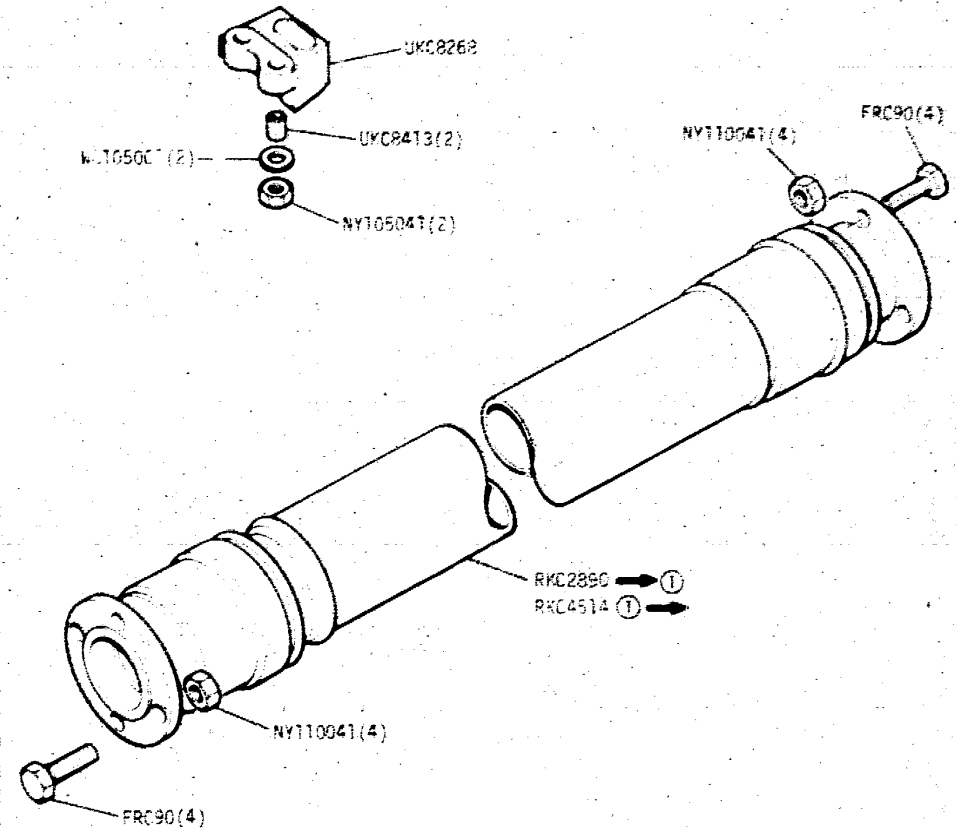
Chassis, Subframes, Bodyshell, Fittings **2C**
 Fascia, Trim, Seats and Fixings **2D**
 Miscellaneous **2E**
 Numerical Index **2F**

1E14

GROUP D
GEARBOX - Gearbox Mounting



GROUP D
PROPELLER SHAFT



GROUP INDEX

Introduction **1B 2B**
 Engine **1C**
 Flywheel and Clutch **1D**
 Gearbox and Propshaft **1E**
 Axles, Suspension, Drive Shafts, Wheels **1F**

Steering **1G**
 Brakes and Brake Controls **1H**
 Fuel, Exhaust and Emission Systems **1I - J**
 Cooling, Heating and Air Conditioning **1K**
 Electrical, Washers-Wipers, Instruments **1L - M**

Chassis, Subframes, Bodyshell, Fittings **2C**
 Fascia, Trim, Seats and Fixings **2D**
 Miscellaneous **2E**
 Numerical Index **2F**

1E15